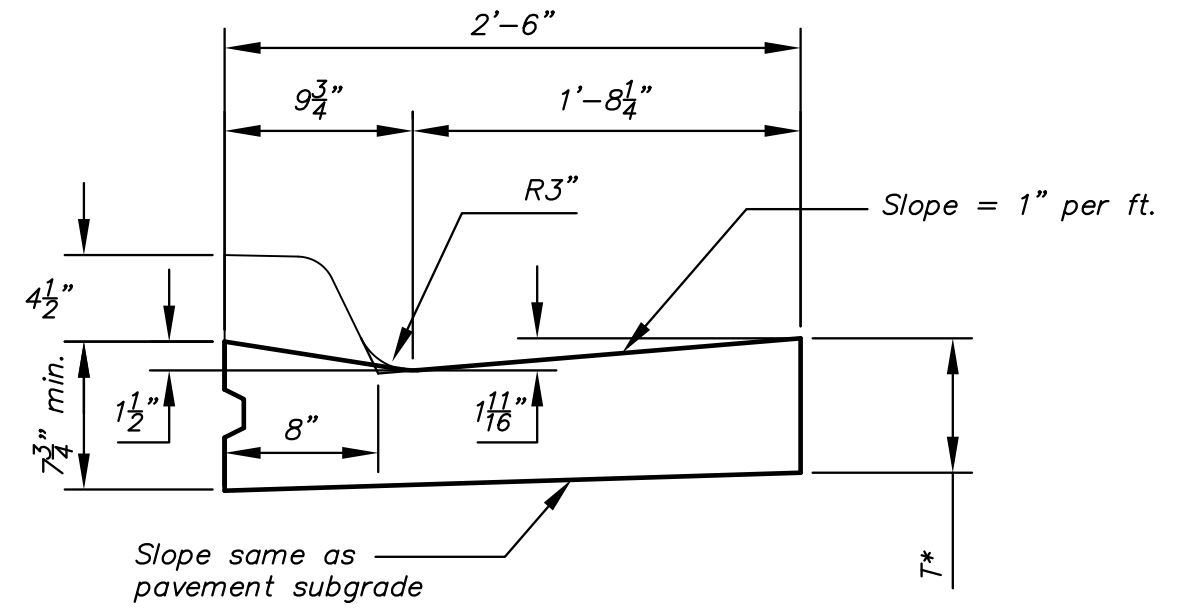
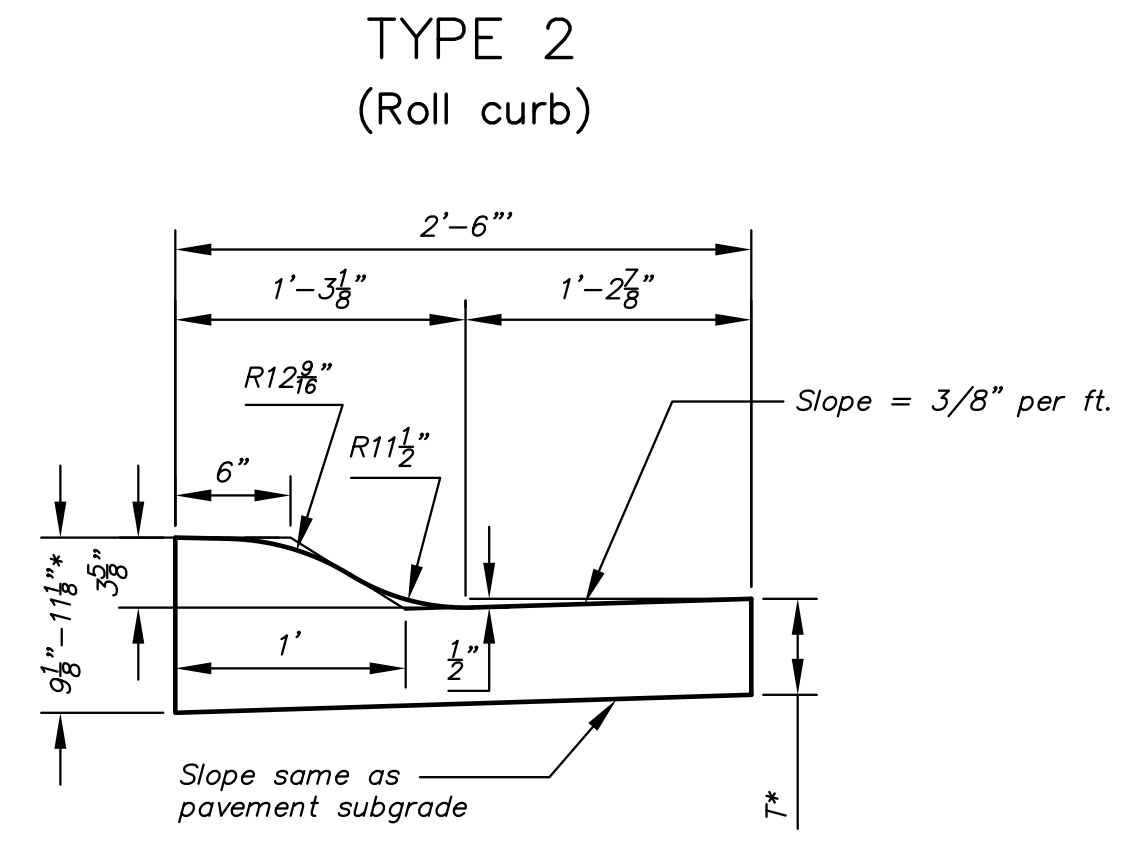


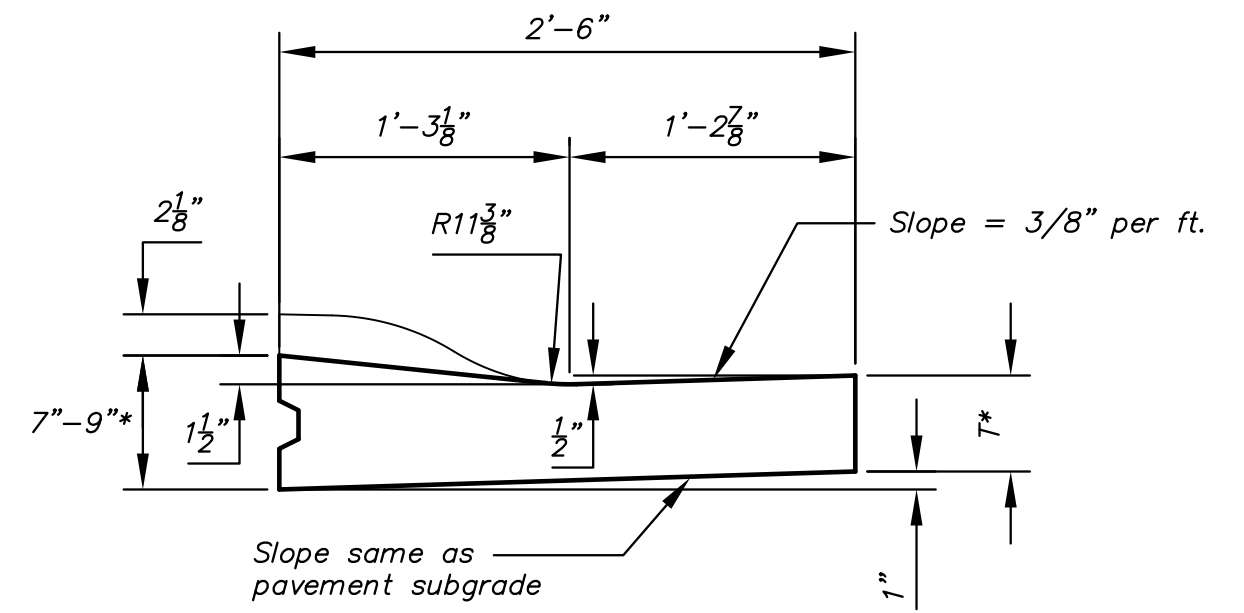
Combined Curb & Gutter (6")



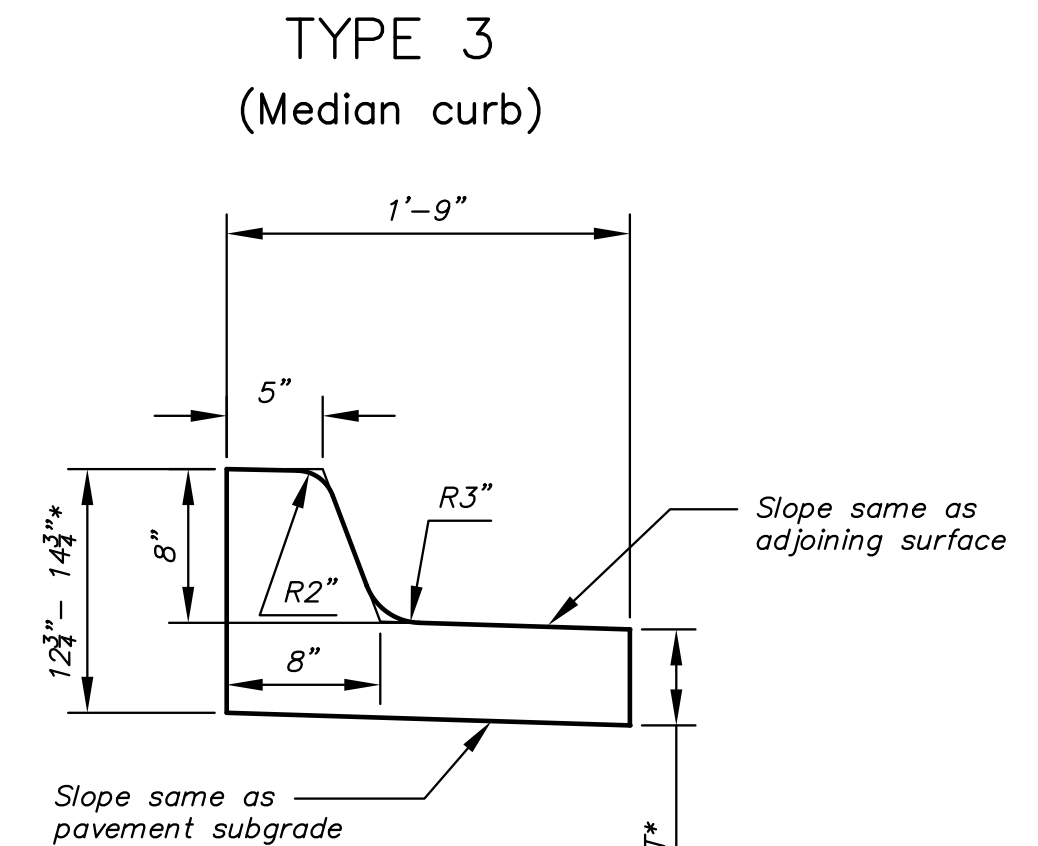
Combined Curb & Gutter (1 1/2")



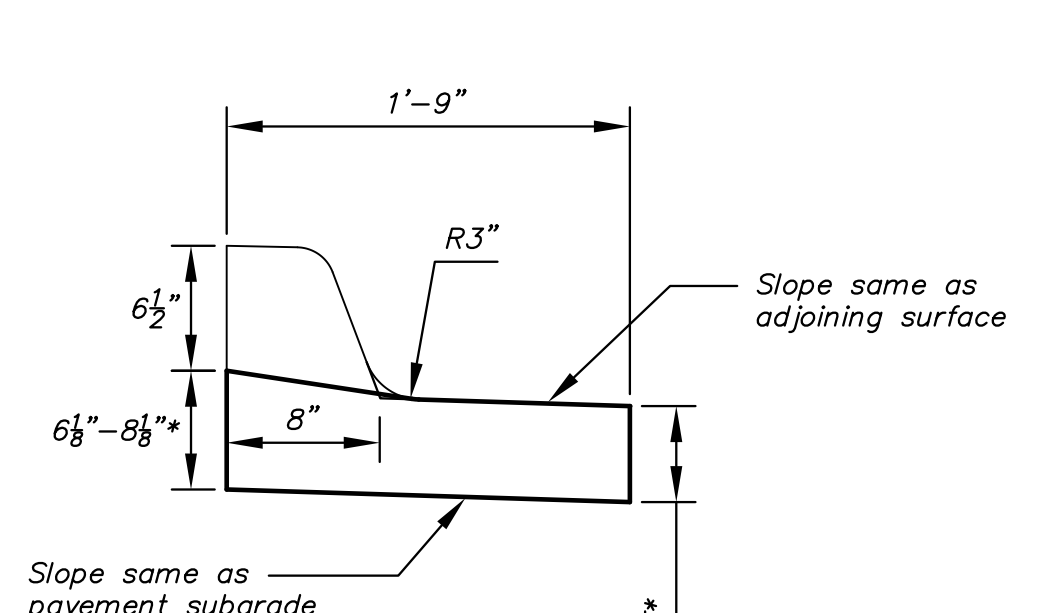
Combined Curb & Gutter (3 5/8")



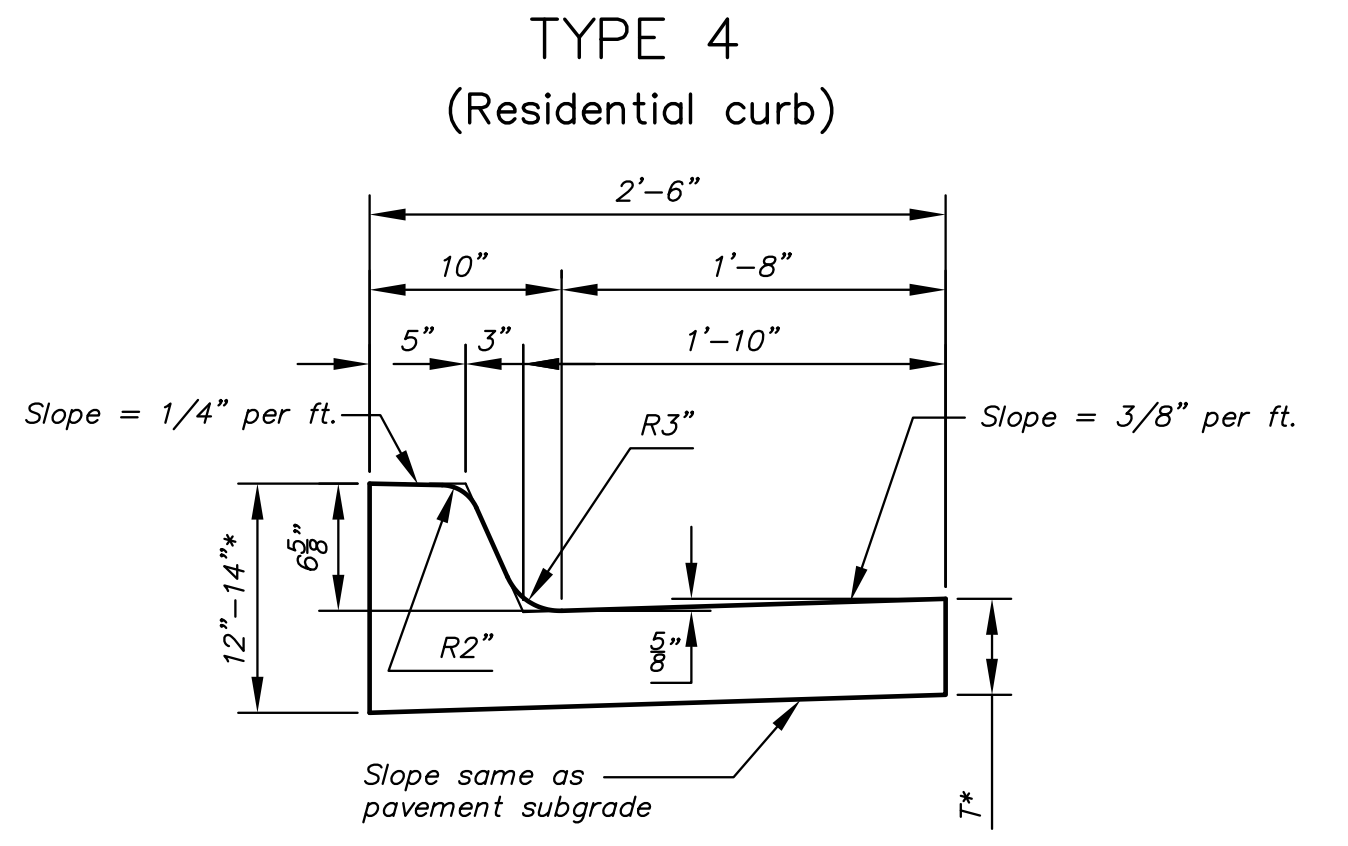
Combined Curb & Gutter (1 1/2")



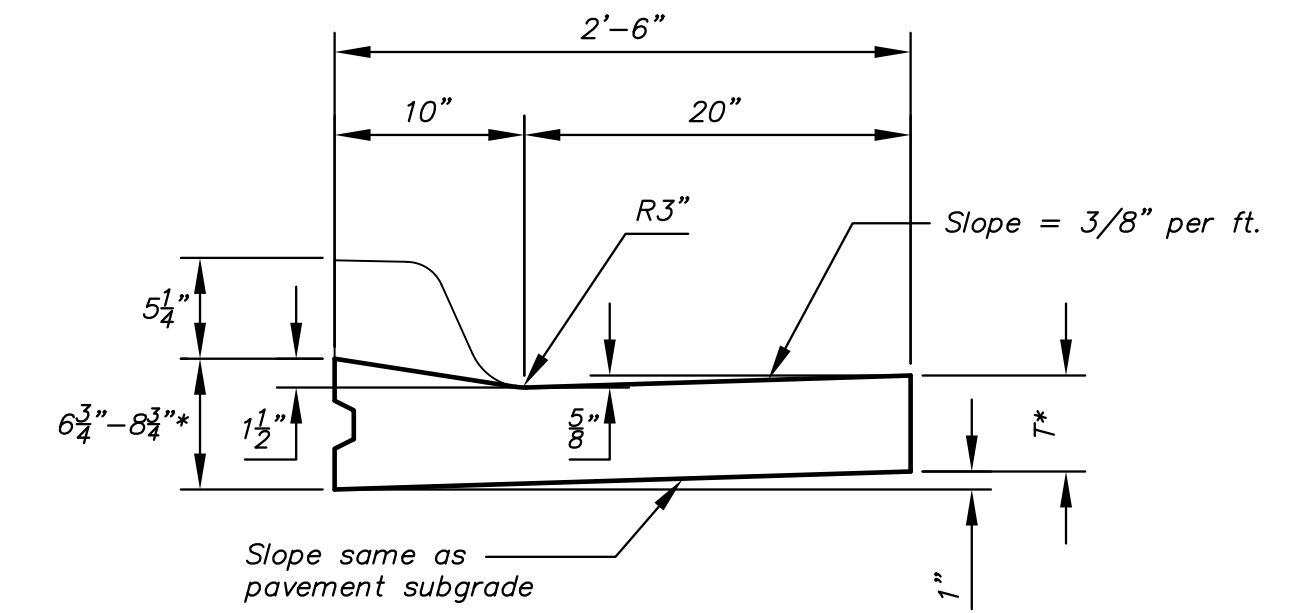
Combined Curb & Gutter (8")



Combined Curb & Gutter (1 1/2")



Combined Curb & Gutter (6 5/8")

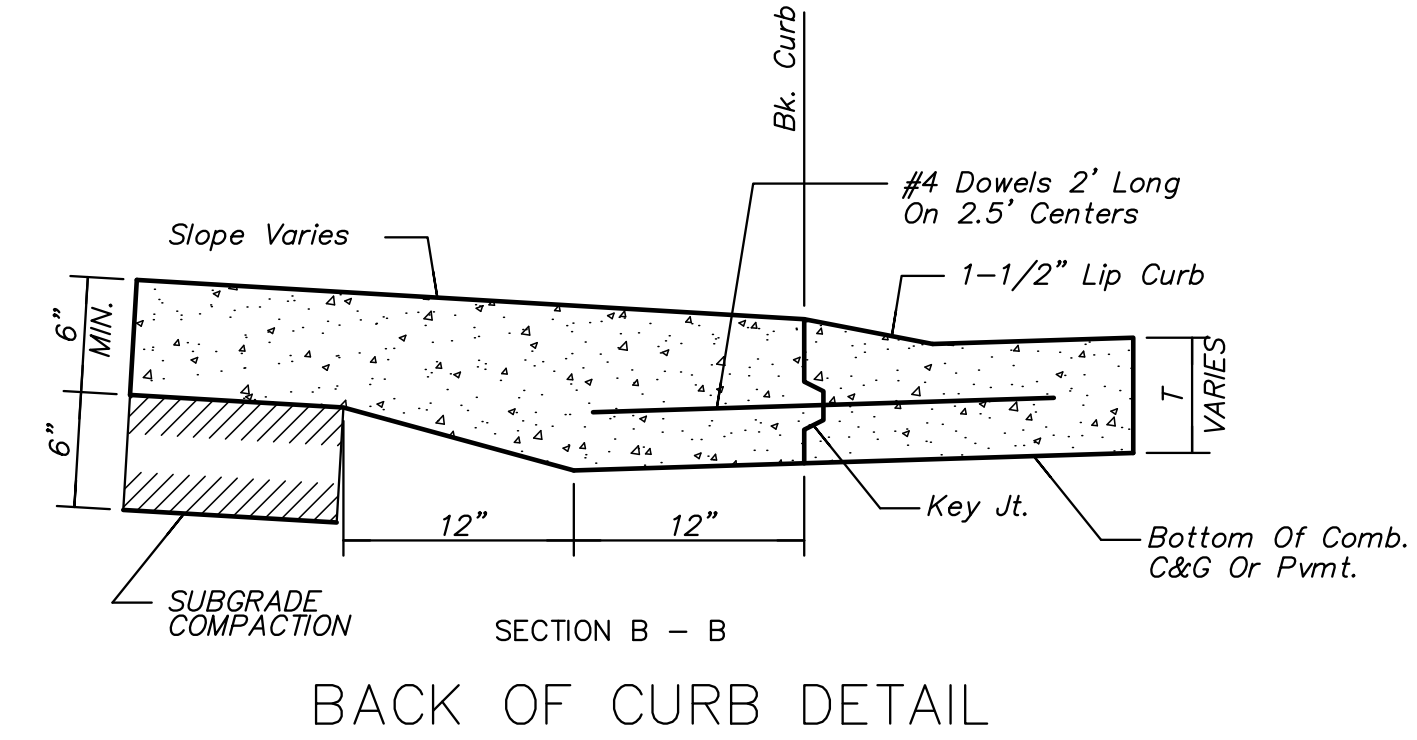


Combined Curb & Gutter (1 1/2")

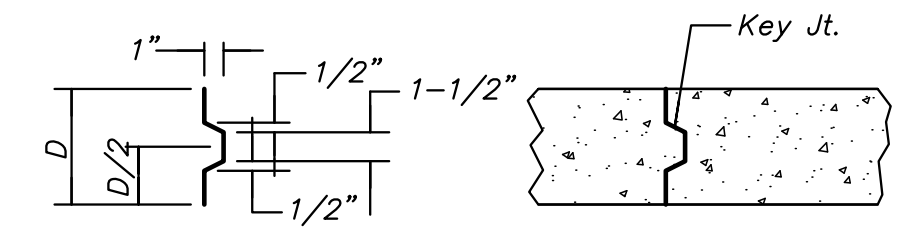
T* = Thickness of curb to adjust with pavement thickness

GENERAL NOTES

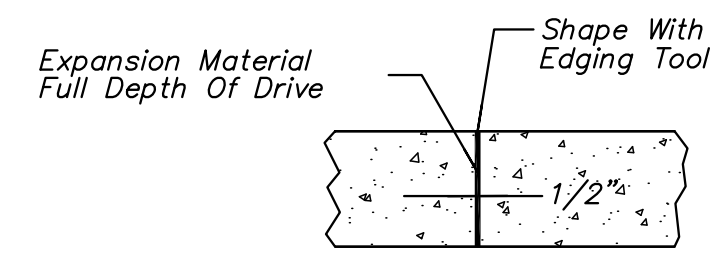
1. Expansion (isolation) joints shall be constructed a maximum of 300' apart and at all PIs, PCs, cul-de-sac quadrants, and ends of returns.
2. Contraction joints shall be constructed a minimum of 12' apart.
3. Joint sealer shall be required at all joints on arterial and industrial streets and at intersections on residential streets.



BACK OF CURB DETAIL



ALT. LONGITUDINAL CONSTRUCTION JOINT



EXPANSION JOINT (E.J.)

CITY OF WICHITA
PUBLIC WORKS & UTILITIES
ENGINEERING DIVISION

CURB & GUTTER DETAILS		
CITY ENGINEER JAMES L. ARMOUR, P.E., L.S.		
PROJECT NUMBER 472-84925	OCA NUMBER 707021	DATE 11/2010
CITY ENGINEER'S OFFICE CITY HALL - SEVENTH FLOOR 455 NORTH MAIN STREET WICHITA, KANSAS 67202-1620 (316) 268-4501		DESIGN DRAWN SHEET 66 of 231

J:\Civil\10265\DWG\Details\Curb & Gutter.DWG