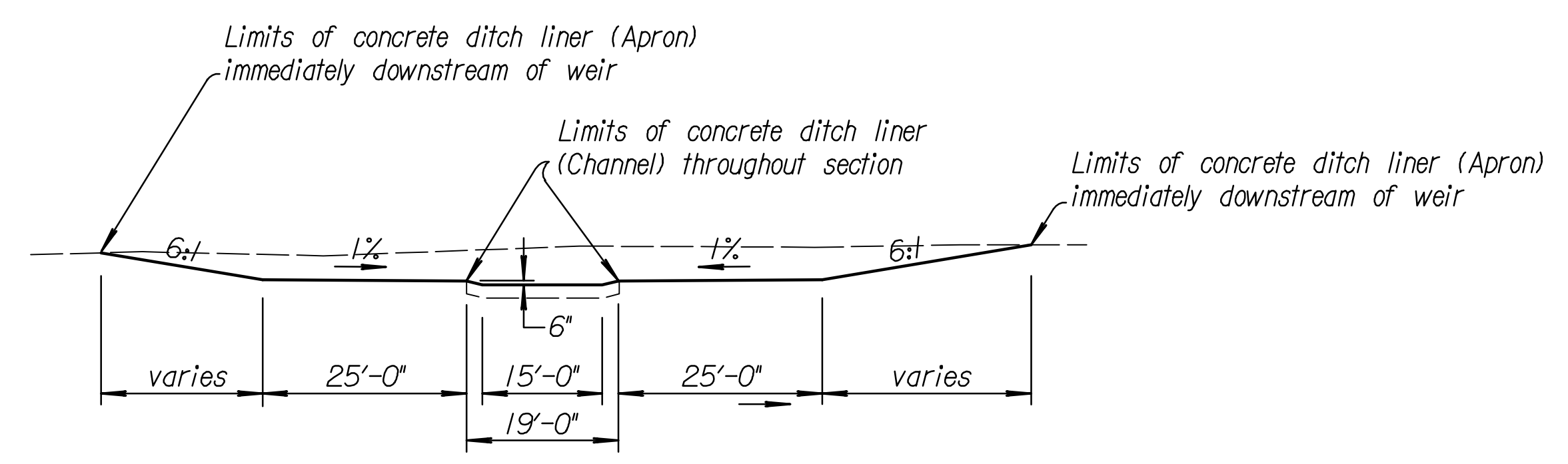
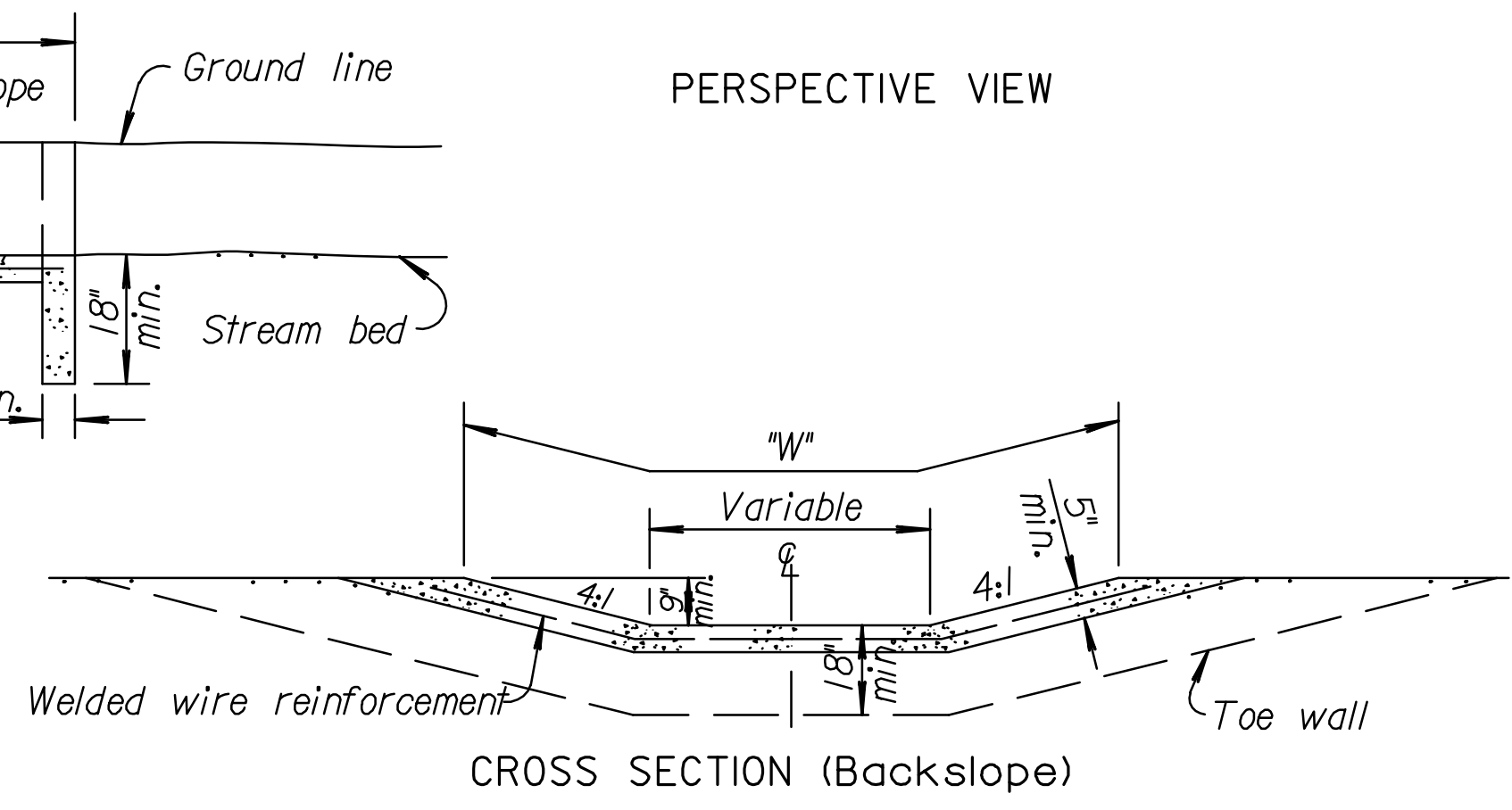
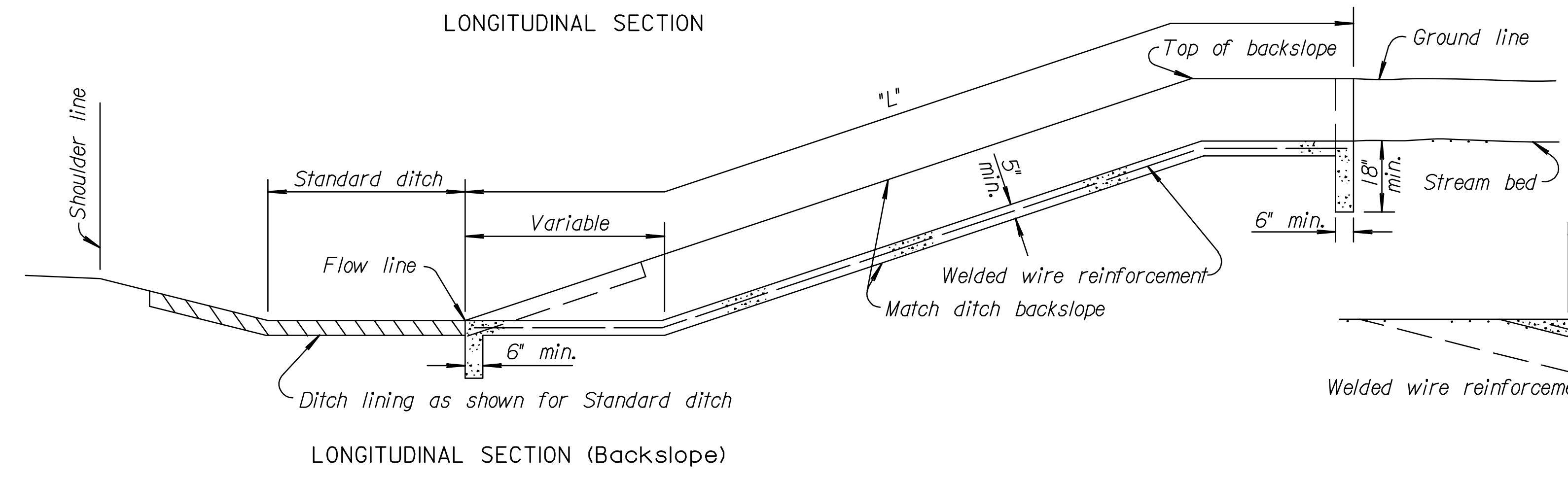
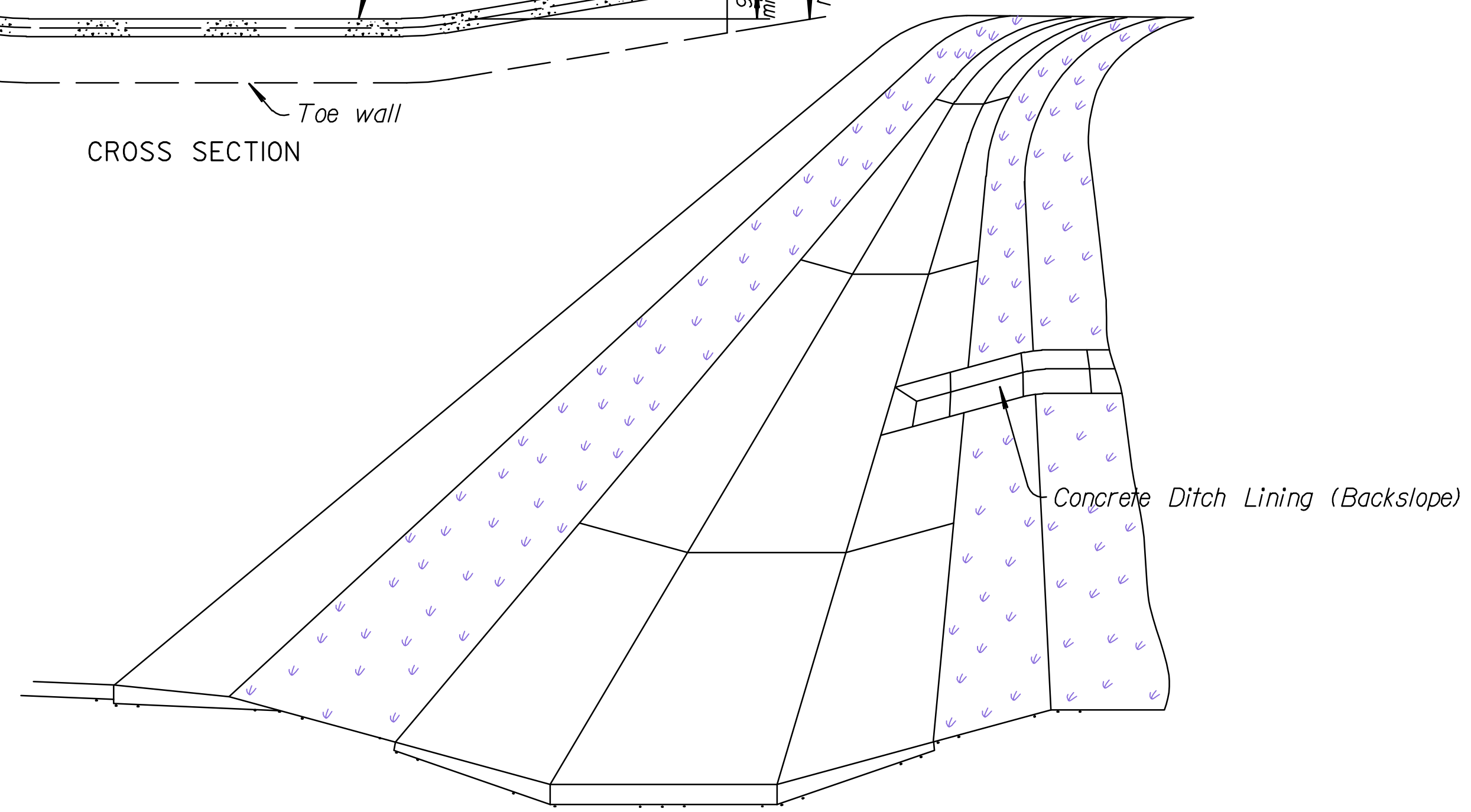
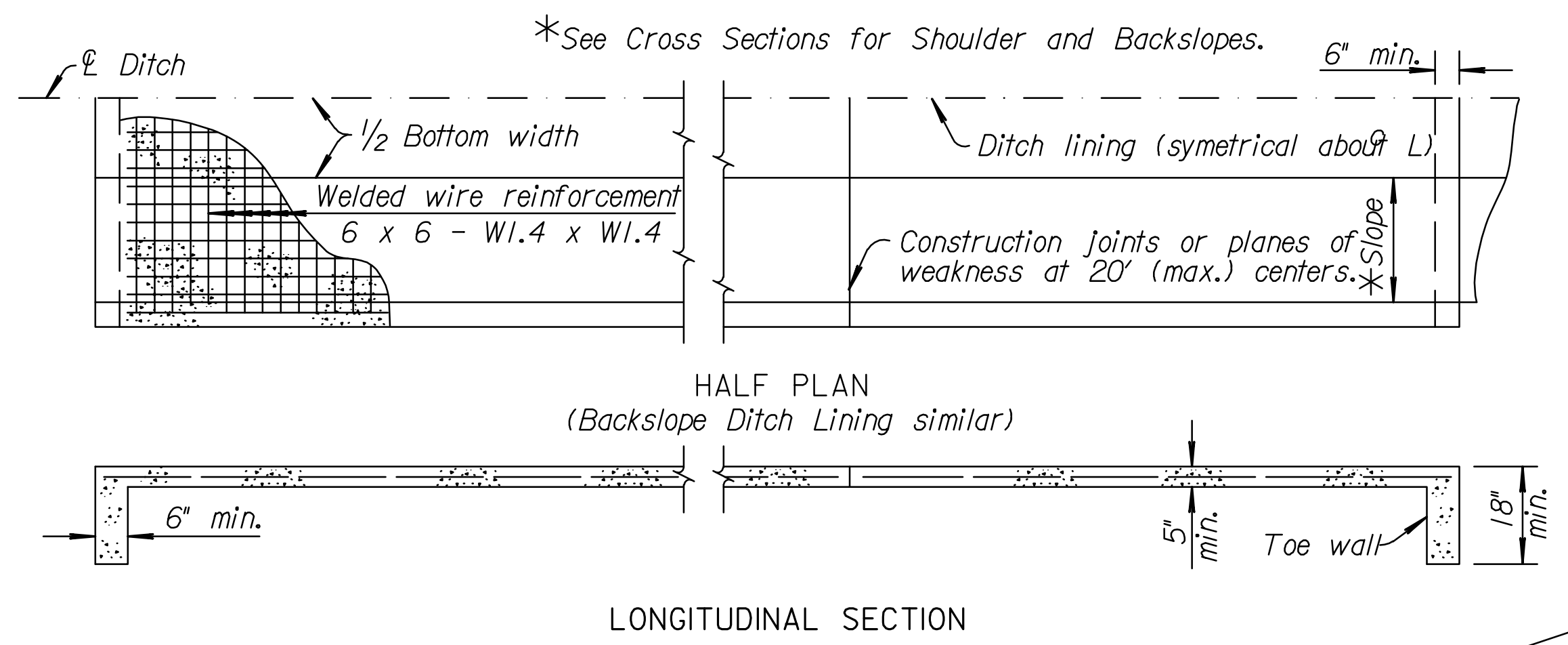
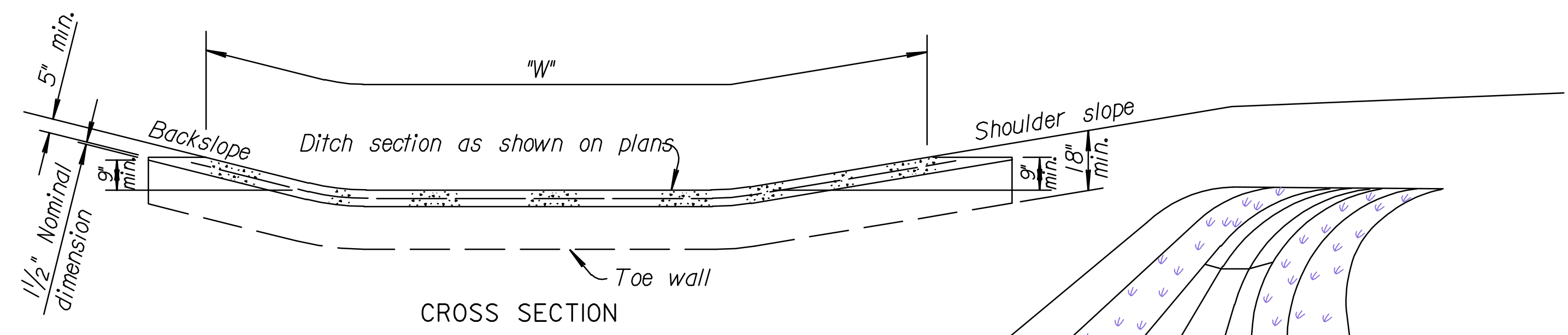


GENERAL NOTE
Concrete Grade 3.0 shall be used in Concrete Ditch Lining.
Welded wire reinforcement shall be of the electrically welded square mesh type with No. W1.4 wires spaced at 6" ctrs. each way.
Reinforcement as shown is included in the unit price bid for "Concrete Ditch Lining".
Measurements of Concrete Ditch Lining shall be in sq. yds. of outside surface area. Add 1'-6" times "W" for each toewall.
The exact location and dimensions may be adjusted, if required, by the Engineer at the time of construction.
Longitudinal construction joints may be constructed at the Contractor's option.



GARCIA OUTLET CHANNEL TYPICAL SECTION
Note: See sheet 94 for grading plan on Garcia property



CONCRETE DITCH LINING

STREET IMPROVEMENTS FOR
135th Street West
from 13th Street to 21st Street North

DITCH LINING DETAILS
SHEET TITLE
MKEC PROJ #10265
PROJECT NUMBER

DESIGN BY
DRAWN BY
CHECKED BY

ISSUED
February 2012
REVISED

SHEET NO.
79 of 231

PLOTTED: Thursday, February 16, 2012 @ 11:19AM

J:\Civil\10265\DWG\Details\Ditch Lining Dtls