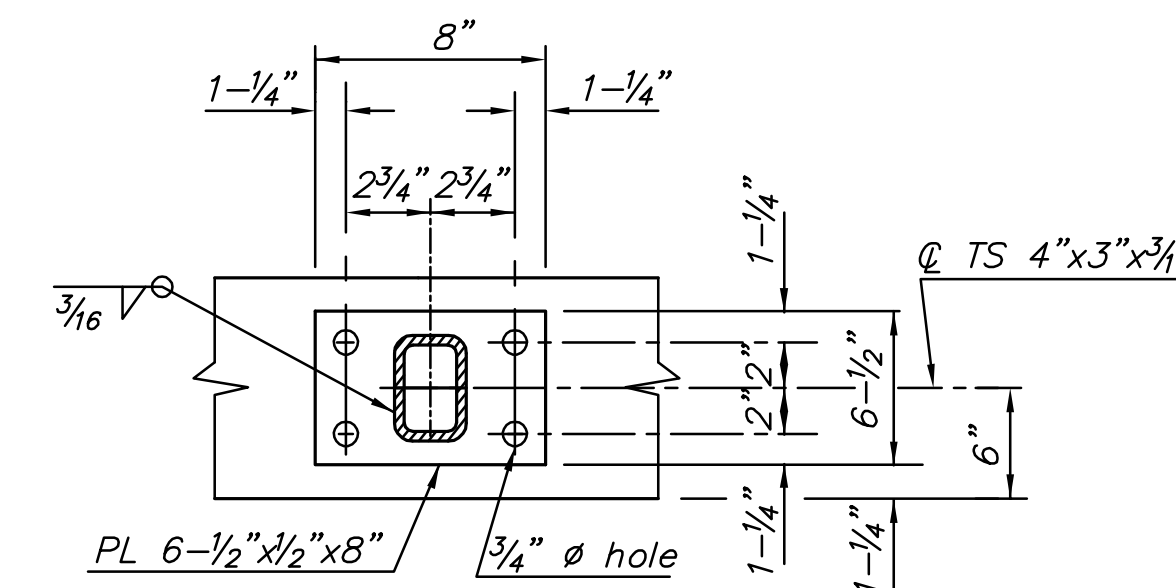


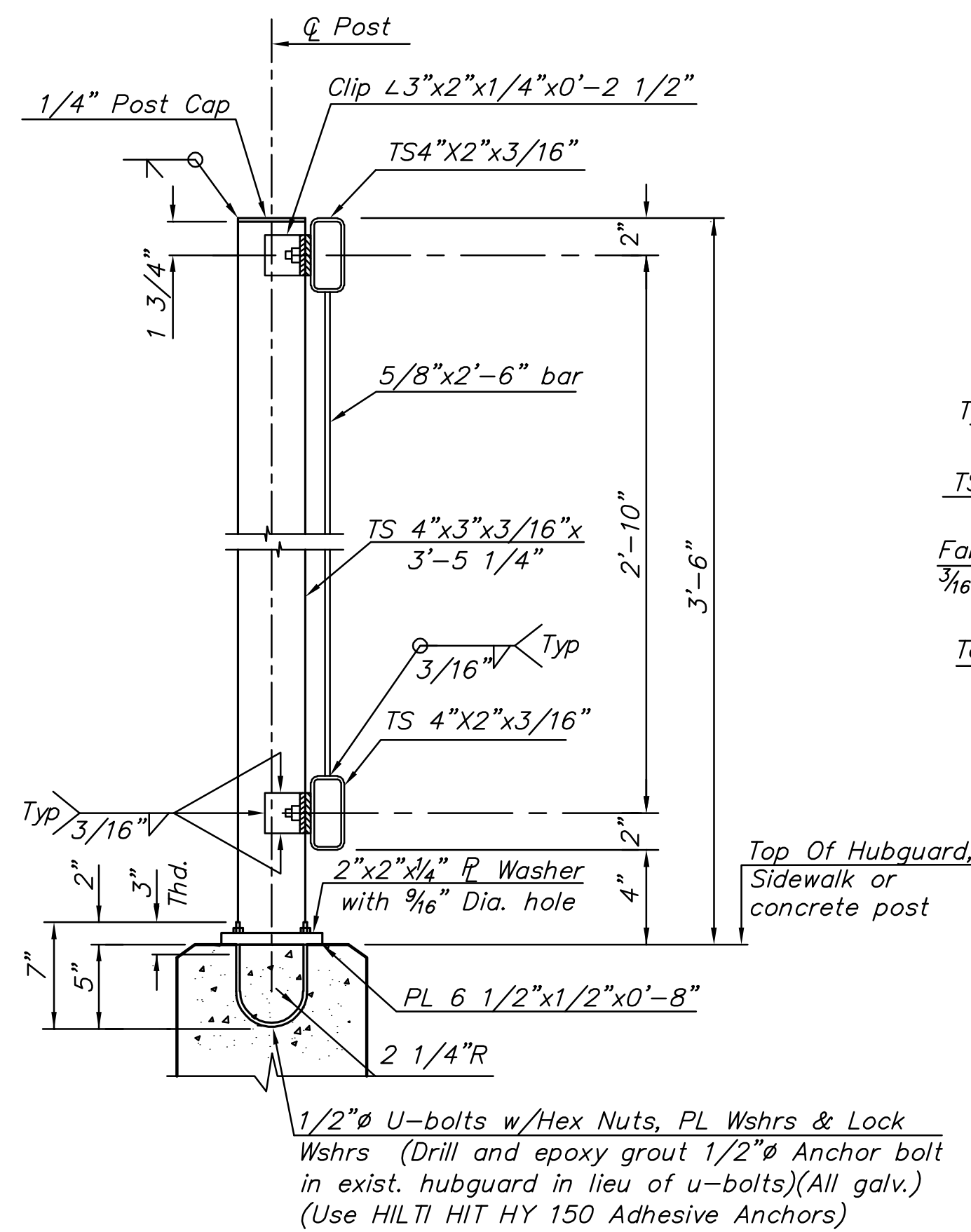
2 - 8'X4' R.C.B.
13TH ST. STA. 110+90.0
SWS LINE 27 STA. 10+60.75

HANDRAIL NOTES

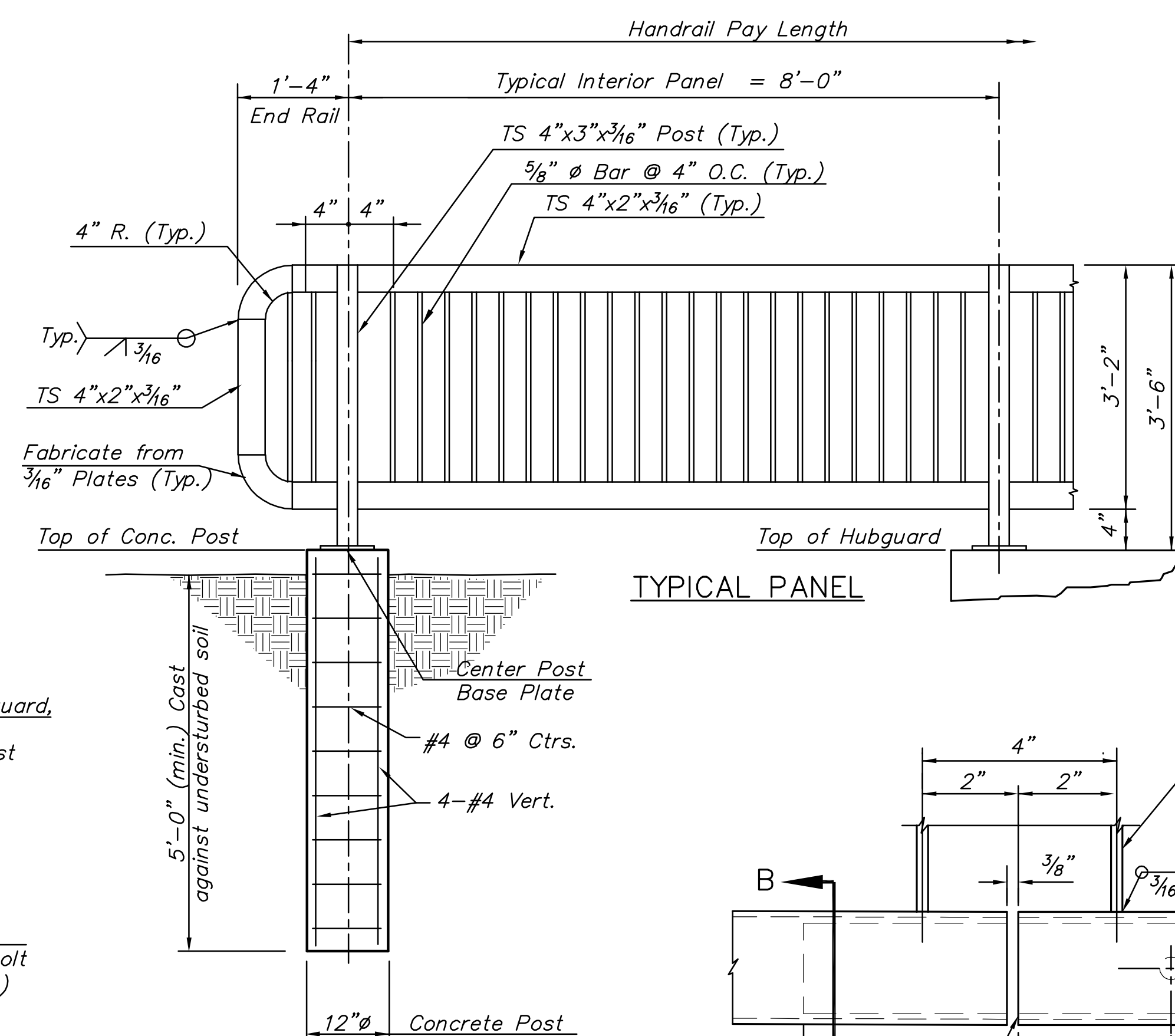
1. The rail members shall conform to ASTM Designation A36 or equivalent.
2. Rail shall be fabricated in lengths to include a minimum of two and a maximum of three panels. Posts shall be set vertical. Shims may be used between concrete and base plates of posts.
3. All parts of handrail shall be painted. The primer coat shall conform to the inorganic zinc system. Surface preparation shall be in accordance with that for structural steel. The finish coat shall be in accordance with water-borne acrylic finish coat.
4. The Contractor shall submit color chart for approval by the City. The color shall be "black (carboline C900)".
5. All materials, equipment and labor necessary for the installation of the handrail shall be subsidiary to the bid item.



BASE PLATE DETAIL

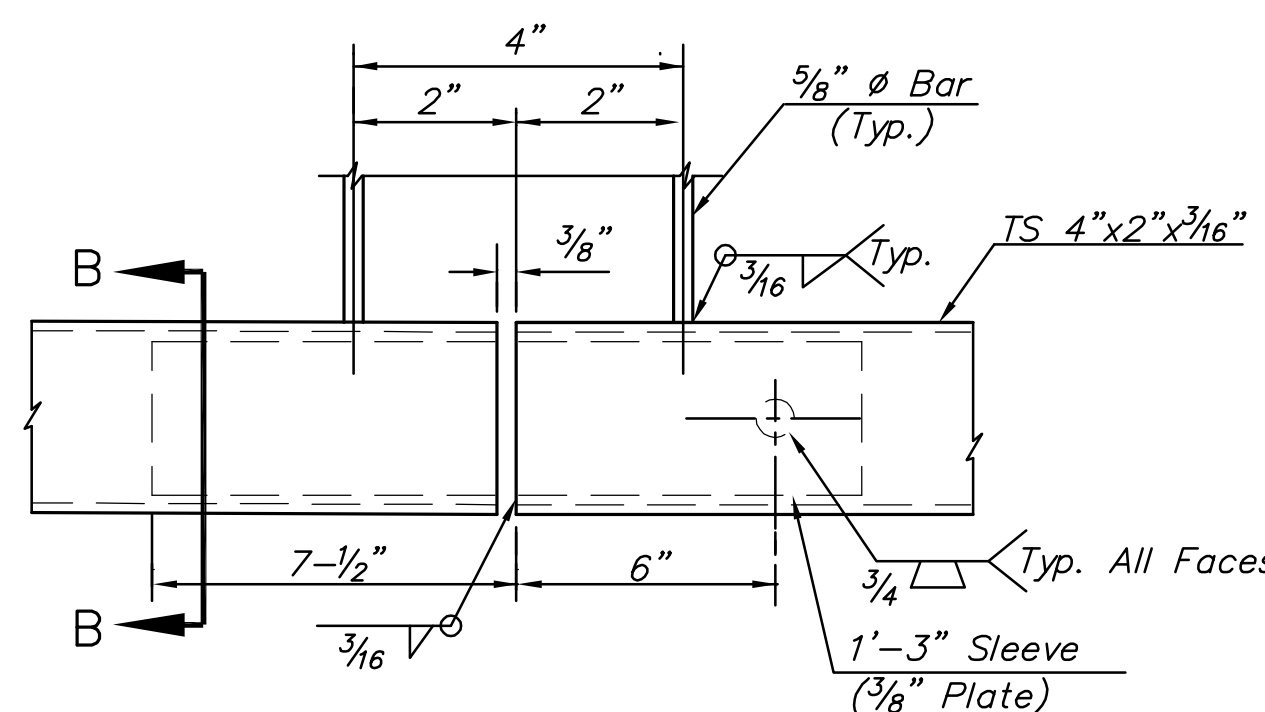


TYPICAL RAIL SECTION
NO SCALE



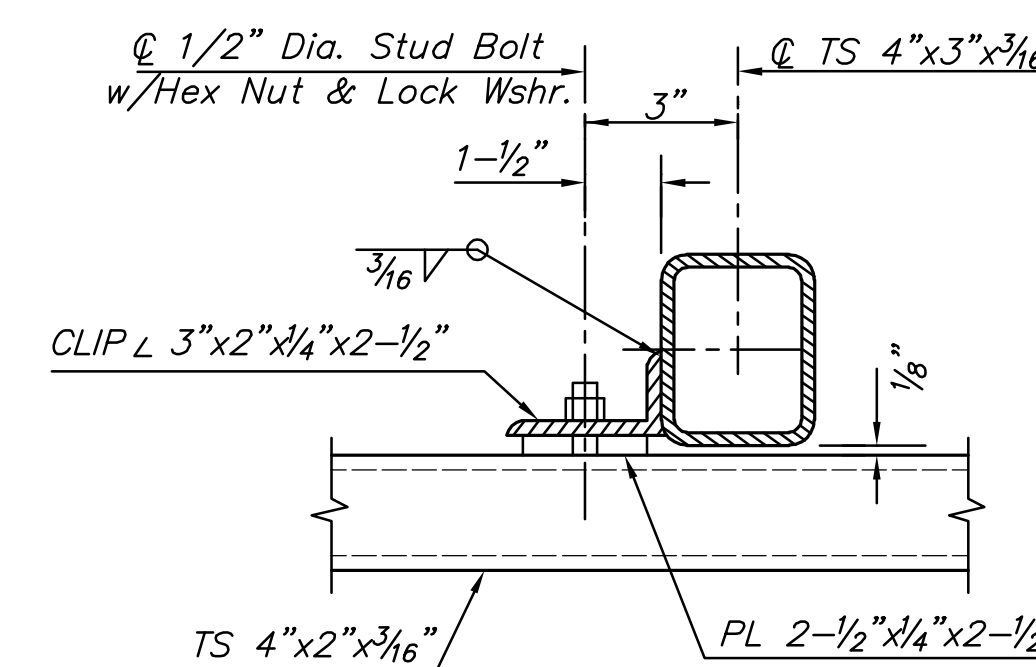
CONCRETE POST DETAIL

Concrete Post shall be Subsidiary to "Handrail (Steel)".
Locate concrete post where specified on plans

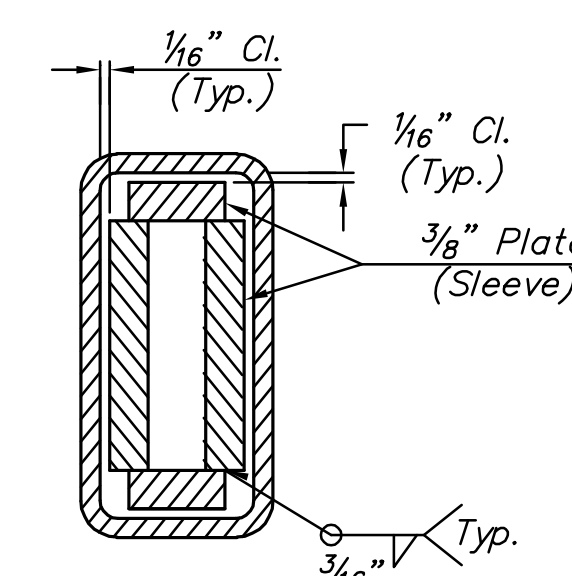


SLEEVE DETAIL

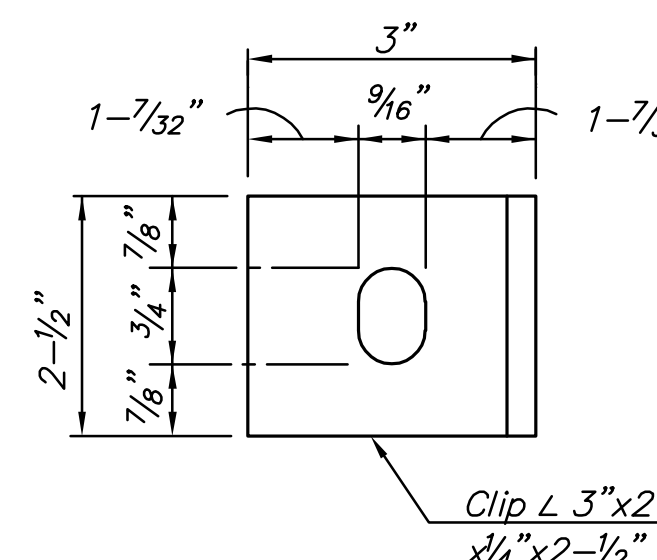
(Bottom Rail Shown, Top Rail Similar)



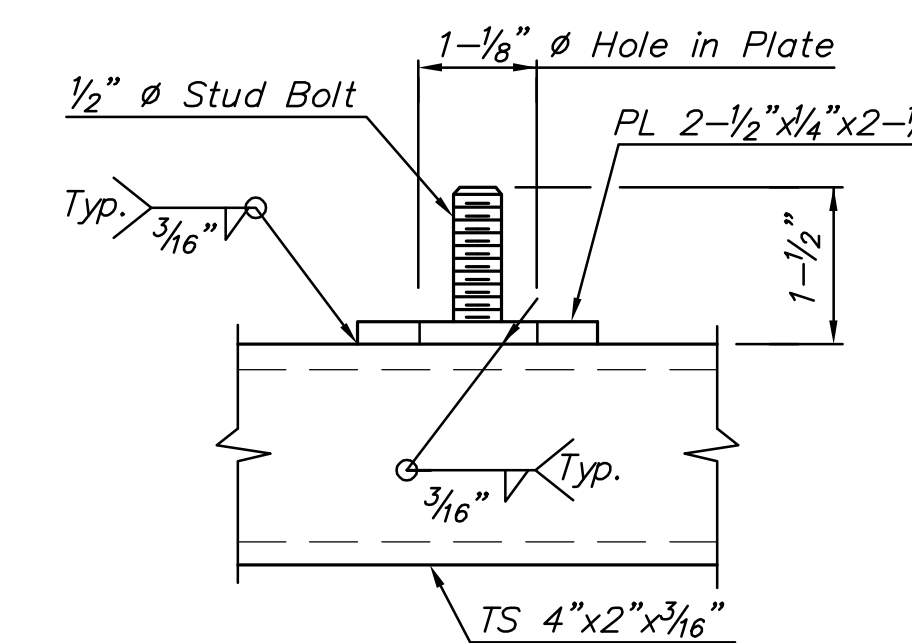
RAIL CONNECTION DETAIL



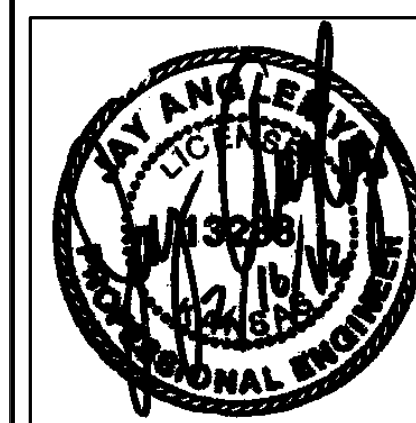
SECTION B-B



CLIP DETAIL



STUD BOLT DETAIL



STREET IMPROVEMENTS FOR
135th Street West
from 13th Street to 21st Street North

R.C.B. PEDESTRIAN RAIL DETAILS
SHEET TITLE
MKEC PROJ #10265
PROJECT NUMBER

JRA
DESIGN BY
JSB
DRAWN BY
JRA
CHECKED BY

ISSUED
February 2012
REVISED

SHEET NO.
93 of 231

PLOTTED: Thursday, February 16, 2012 @ 11:20AM

J:\Civil\10265\DWG\Details\10265_RCB Ped Rail