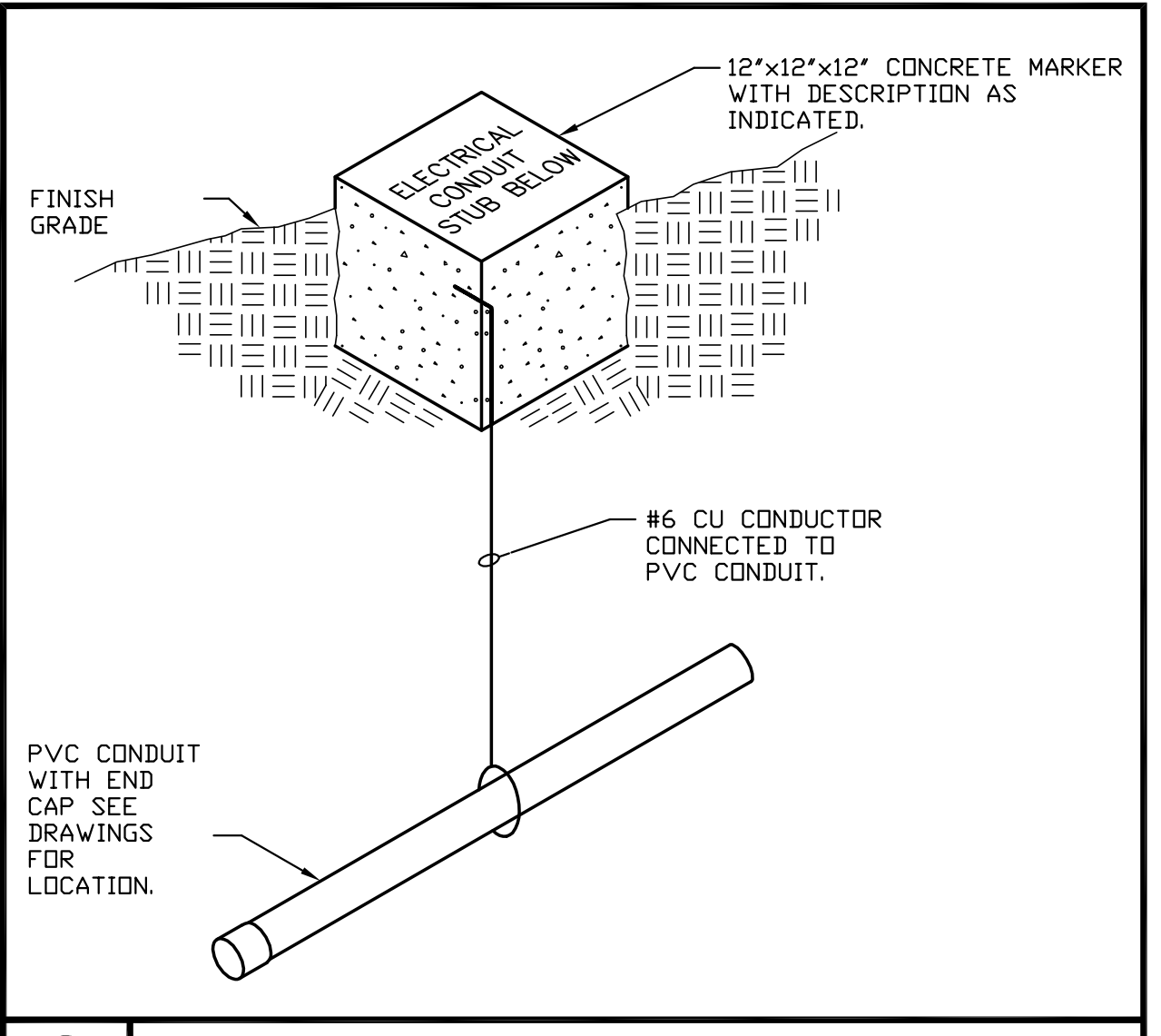
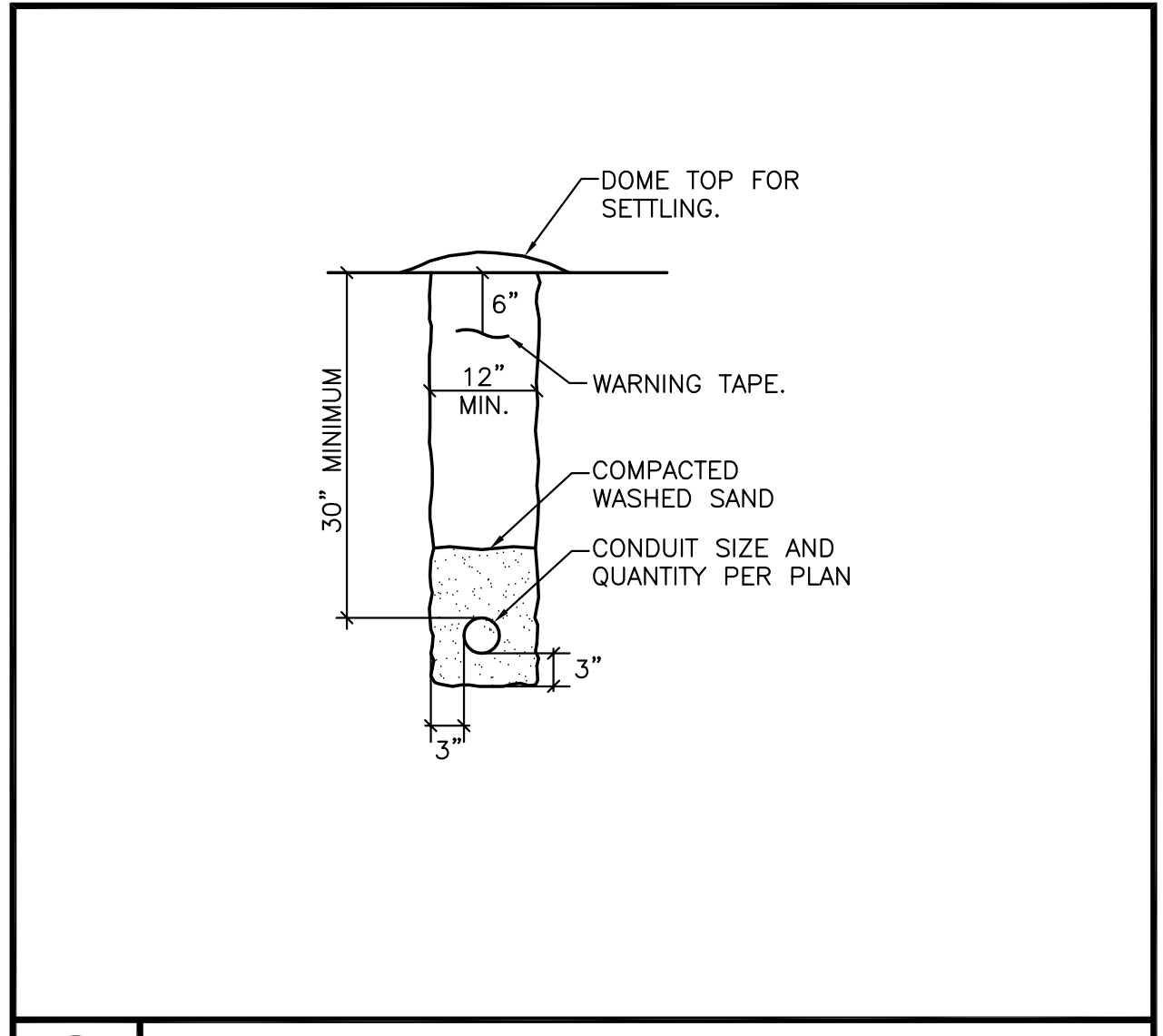
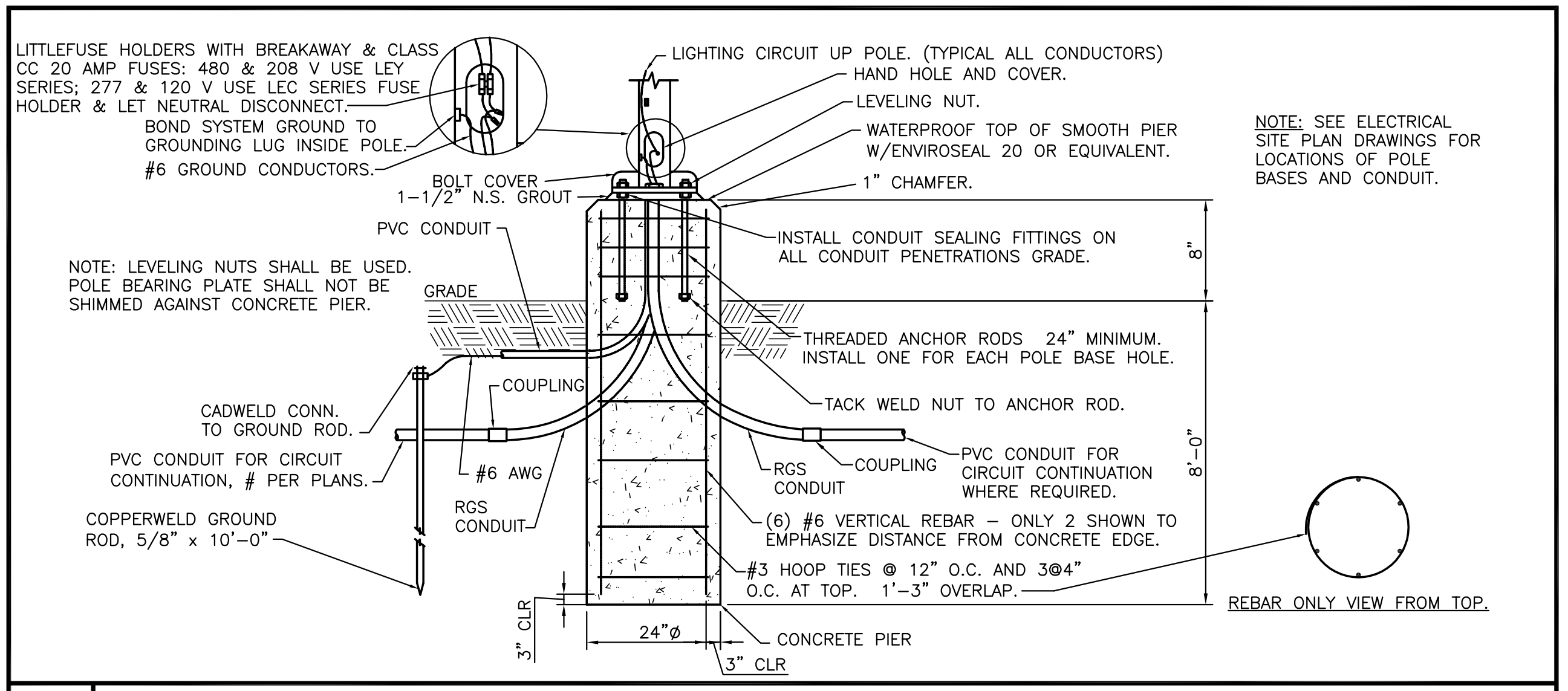


**LANDSCAPE, LIGHTING, & IRRIGATION
GREENWICH OFFICE PARK SECOND
BERKELEY SQUARE FIRST ADDITION**



LIGHT FIXTURE SCHEDULE												
FIXT. LTR.	MANUFACTURER	CATALOG NUMBER	LAMPS		BALLASTS		FIXTURE VOLTAGE	FINISH	MOUNTING	FIXTURE VA	REMARKS/DESCRIPTION	SPECIFIC NOTES
			#	TYPE	#	TYPE						
SA	LITHONIA	ALN445D-H2-400PSMH-Voltage-/TRA2L/DB105R25-250-DBZ 400W PSMH	1	ELECTRONIC	480	DARK BRONZE	POLE - INCLUDED IN PART NUMBER	500	TYPE II POLE MOUNTED DECORATIVE AREA LIGHT. PROVIDE WITH BASE "CLASSIC ART FORM #610R".			
GENERAL NOTES (APPLY TO ALL LIGHTING):												
1 ALL LIGHTING FIXTURES SHALL BE RATED FOR LIGHTING POWER CIRCUIT VOLTAGE. CONTRACTOR MUST VERIFY ALL LOCATIONS.												
2 ELECTRICAL CONTRACTOR SHALL CHECK AND COORDINATE ALL LIGHTING FIXTURE CATALOG NUMBERS WITH THE INTENT OF FIXTURE DESCRIPTIONS, LISTED ACCESSORIES AND TYPE OF INSTALLATION.												
3 ELECTRICAL CONTRACTOR SHALL PROVIDE EACH LIGHTING FIXTURE COMPLETE WITH ALL OTHER INSTALLATION AND HANGING HARDWARE AS REQUIRED FOR A COMPLETE AND FINISHED INSTALLATION AT EACH FIXTURE LOCATION.												
4 ALL FIXTURES SHALL BE LISTED BY A NATIONALLY RECOGNIZED TESTING LABORATORY (NRTL) AND LABELED. ALL LIGHTING FIXTURES EXPOSED TO WEATHER, MOISTURE, OR OTHER ENVIRONMENTS SHALL BEAR THE APPLICABLE ENVIRONMENTAL OR APPLICATION LABEL.												
5 REFER TO THE SPECIFICATIONS FOR ADDITIONAL REQUIREMENTS FOR LIGHTING FIXTURES.												
6 VERIFY ALL LIGHTING FIXTURE LOCATIONS, FINISHES AND CEILING TYPES WITH LANDSCAPE ARCHITECT PRIOR TO INSTALLING. VERIFY VOLTAGE WITH ENGINEER PRIOR TO INSTALLING.												
7 ELECTRICAL CONTRACTOR TO FIELD ADJUST AIMING PATTERN OF EXTERIOR LIGHTS AT NIGHT SESSION. OWNER & ARCHITECT TO DETERMINE TIME AND DATE.												
8 ALL HID LAMPS AND DIMMABLE FLUORESCENT LAMPS SHALL BE "BURNED-IN" AS PER LAMP MANUFACTURER'S RECOMMENDATIONS TO INSURE PROPER LAMP LIFE.												
9 INSTALLATION ELEVATION SHOWN IS FROM AFF OR AFG AS OBVIOUSLY APPLICABLE, TO CENTER OF OUTLET BOX, UNLESS OTHERWISE NOTED.												
10 SHOP DRAWINGS: DIFFERENCES SHALL BE SPECIFICALLY NOTED ON THE "SHOP DRAWINGS." THIS INCLUDES BUT IS NOT LIMITED TO: FIXTURE SUBSTITUTIONS, LAMPS, VOLTAGE, MOUNTING, PHYSICAL DIMENSIONS AND FINISHES. FAILURE TO COMPLY DOES NOT RELIEVE THE CONTRACTOR OF DESIGN DOCUMENT INTENTION AND WILL NOT BE REASON FOR ADDITIONAL REIMBURSEMENT. ADDITIONAL REQUIREMENTS MAY BE FOUND ELSEWHERE IN THE DRAWINGS OR SPECIFICATIONS.												
11 SUBMIT LIST OF LAMPS FOR ENGINEER'S REVIEW WITH TYPE OF LAMP AND MANUFACTURER TO BE USED FOR EACH FIXTURE LISTED PRIOR TO ORDERING. LAMPS SHALL BE MATCHED WITH EACH LIGHTING FIXTURE.												

ELECTRICAL DETAILS
SHEET TITLE
472-85040
PROJECT NUMBER

MKEC / JJW / BWB
DESIGNED DRAWN CHECKED

ISSUED
FEBRUARY 2012

REVISED

SHEET NO.
5 of 7