



STREET IMPROVEMENTS FOR
135th Street West
from 13th Street to 21st Street North

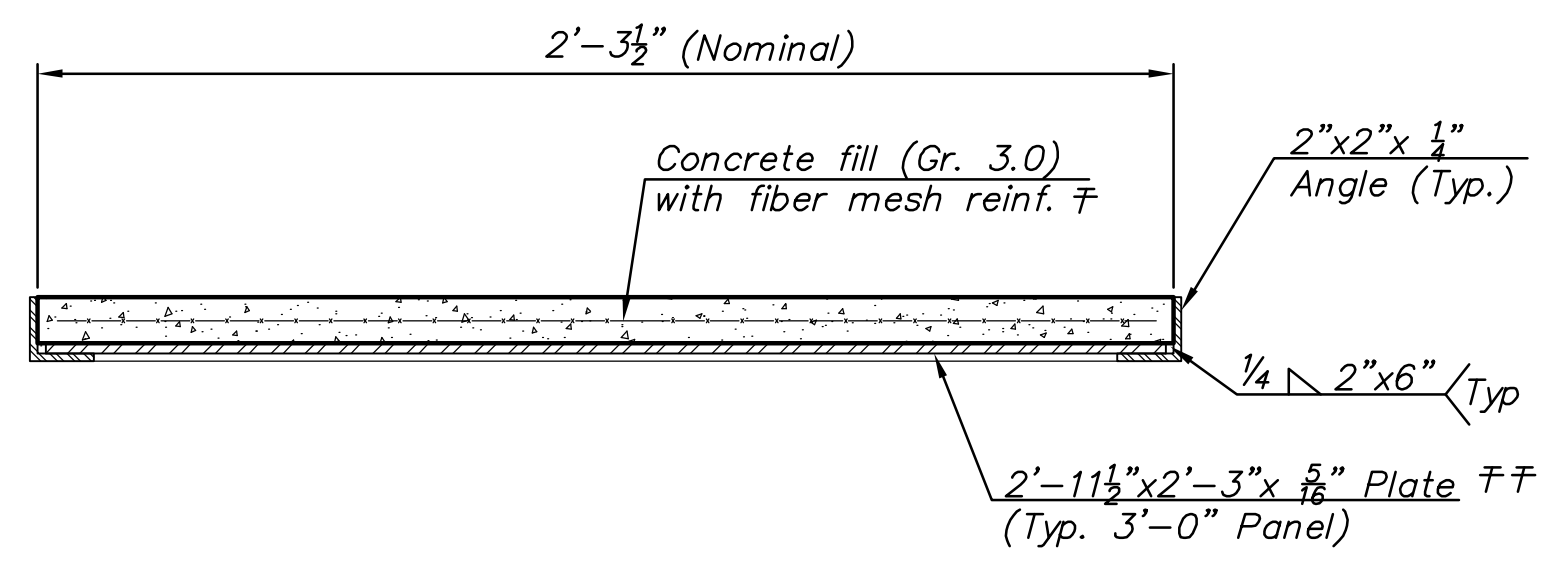
**MISCELLANEOUS
STORM SEWER
DETAILS**

SHEET TITLE
MKEC PROJ #10265
PROJECT NUMBER

DESIGN BY: JRA
DRAWN BY: JSB
CHECKED BY: JRA

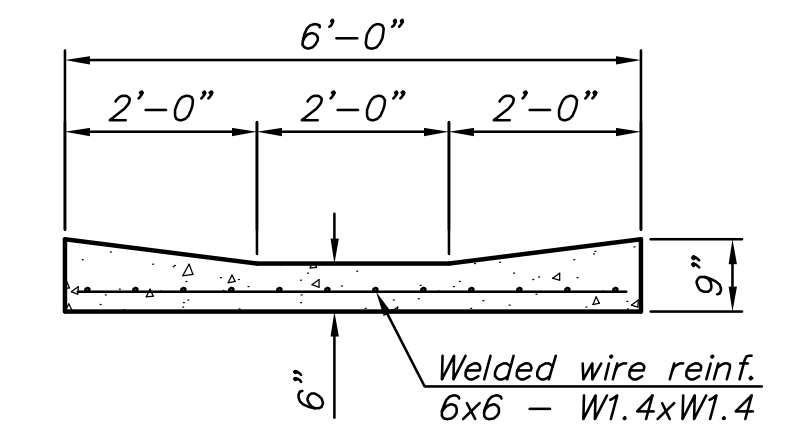
ISSUED: February 2012
REVISED: Removed Call-outs
Stations for Sidewalk
Flumes, Curb Cut
Flumes

SHEET NO.
67R of 231



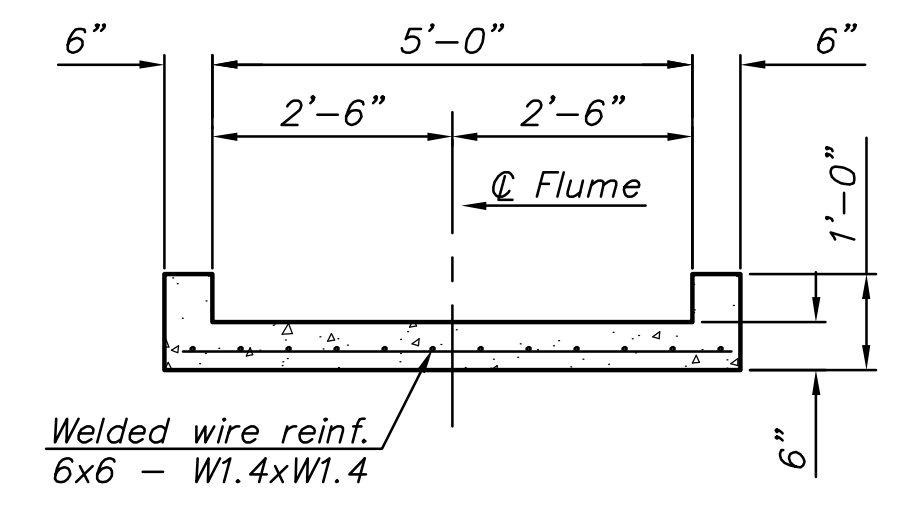
CONCRETE PANEL DETAIL

Propex Fibermesh 150 @ 1.5 lbs./C.Y. or equivalent as approved by the Engineer
3'-11 1/2" x 2'-3" x 5/16" Plate (4'-0" Panel)

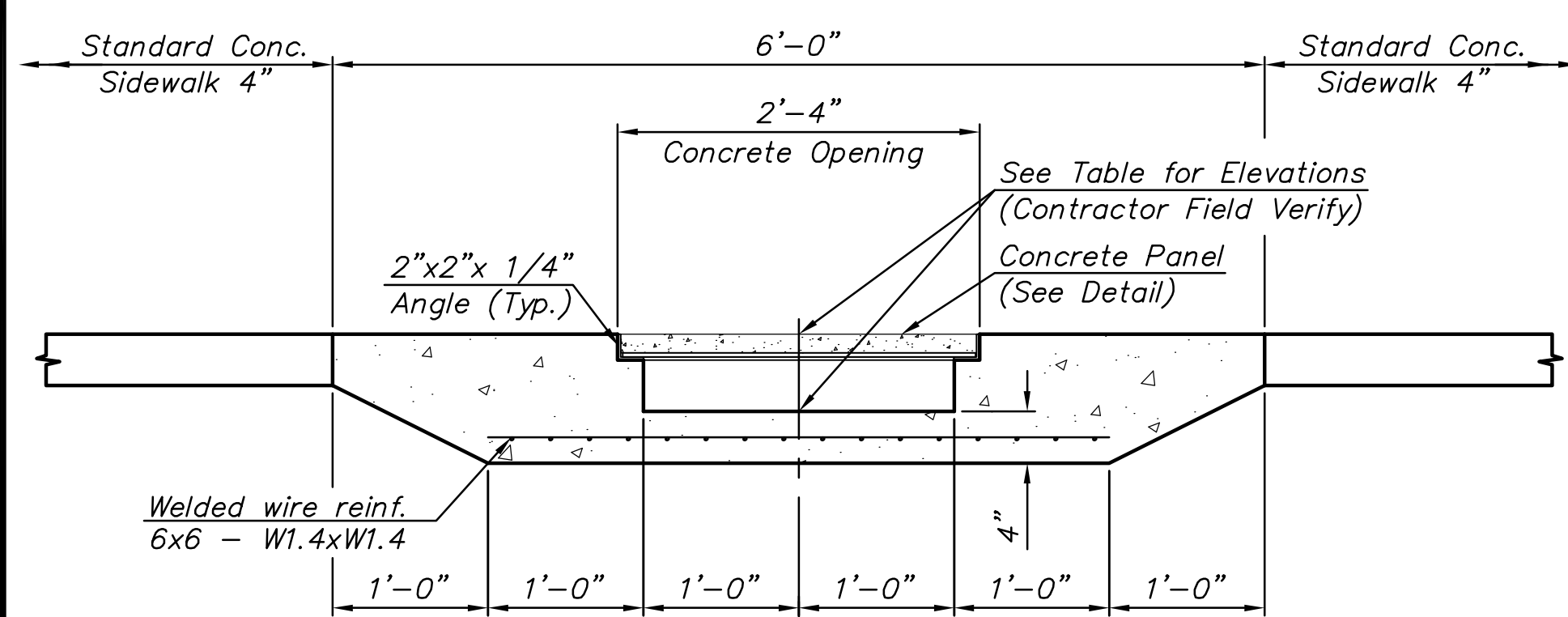


SECTION B-B

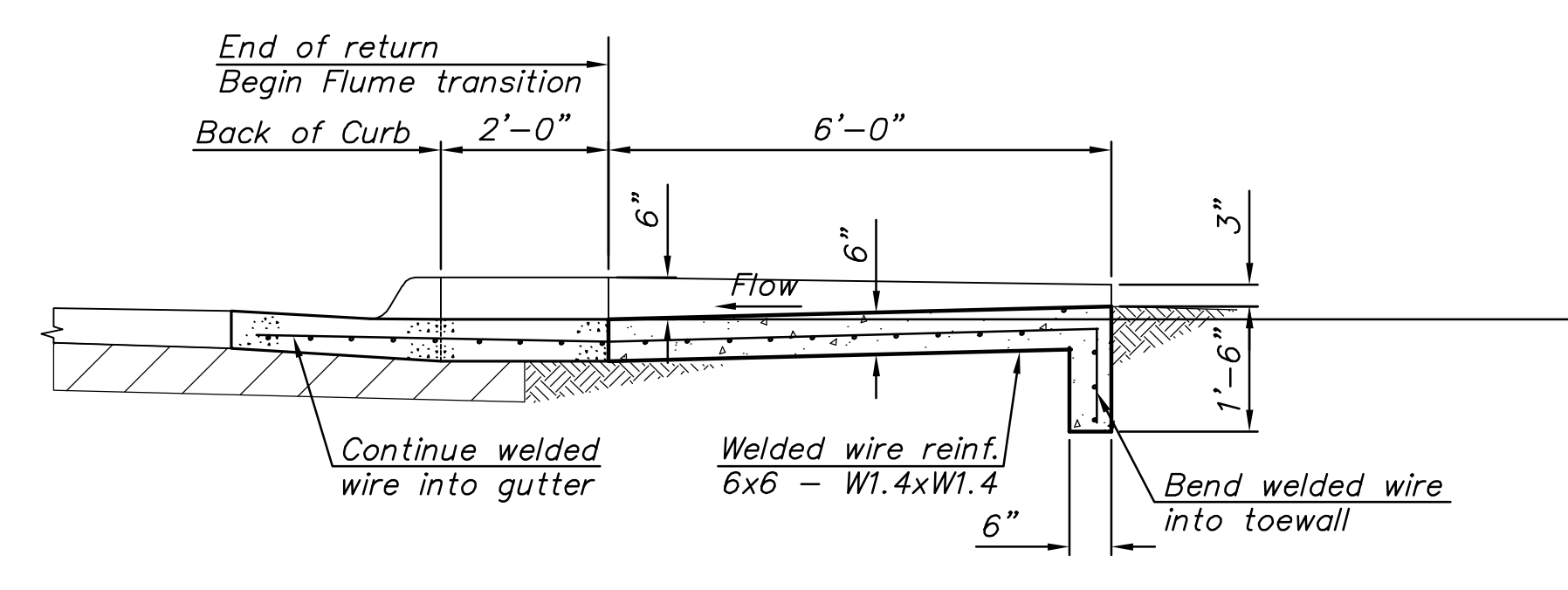
(Toewall not shown)



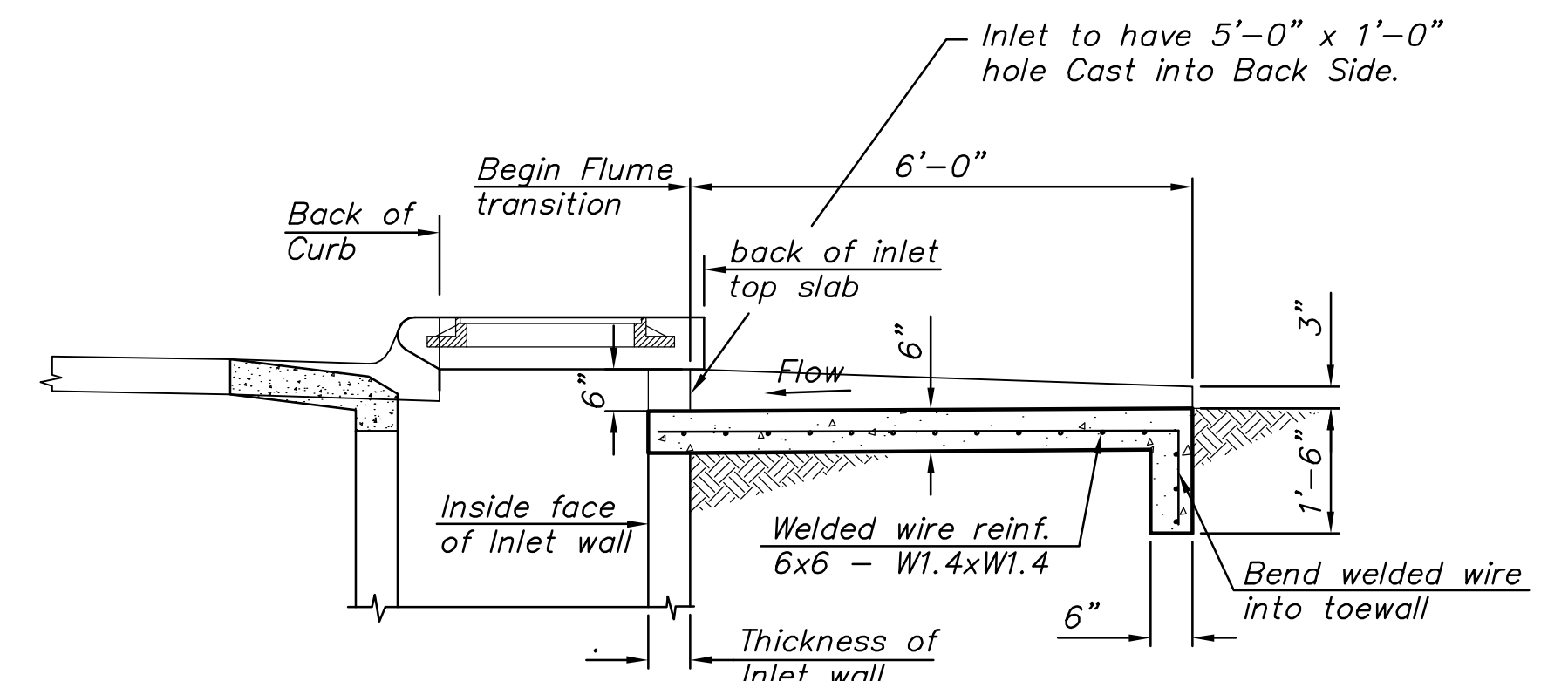
SECTION A-A



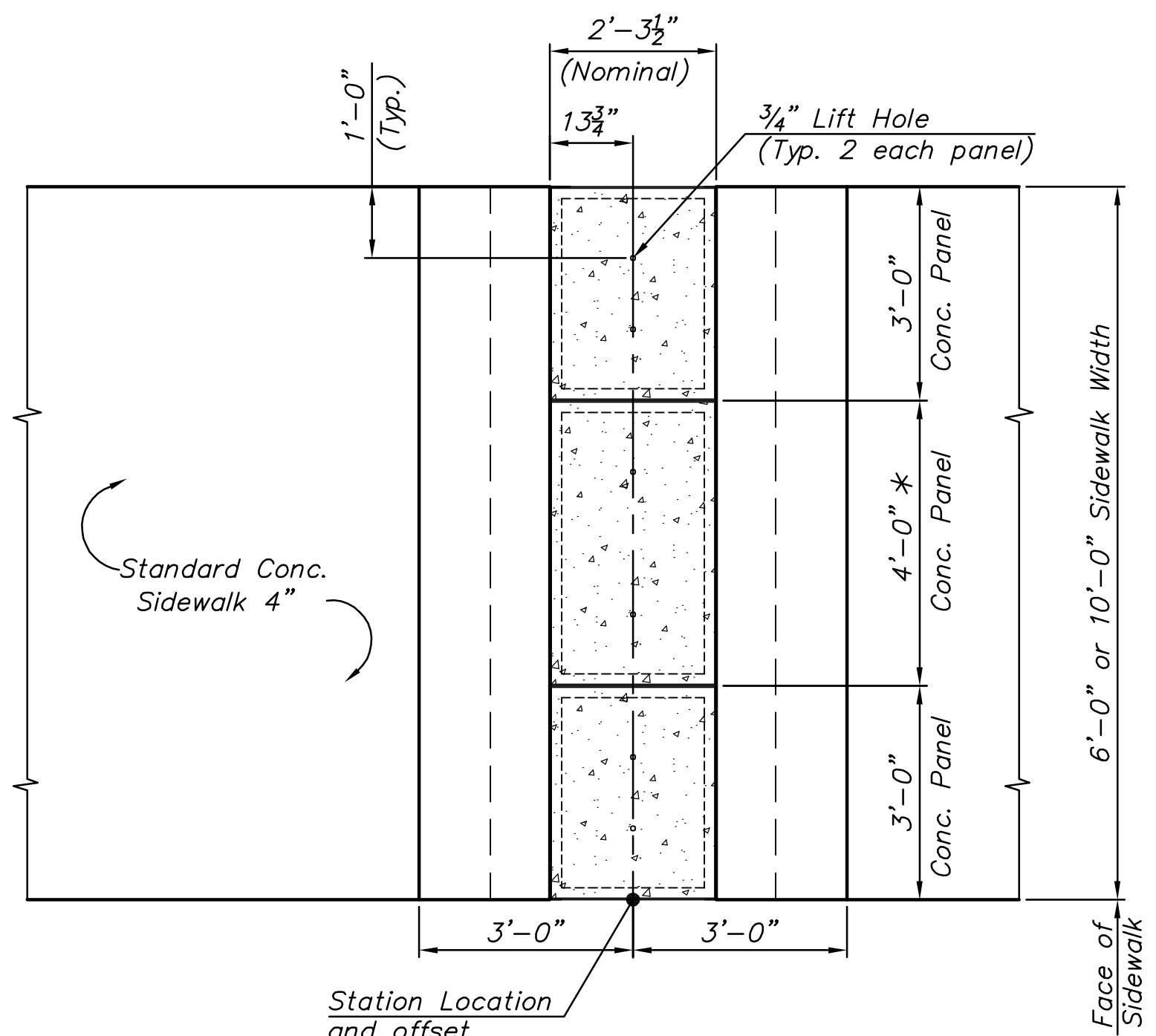
SECTION THROUGH FLUME



ELEVATION



ELEVATION

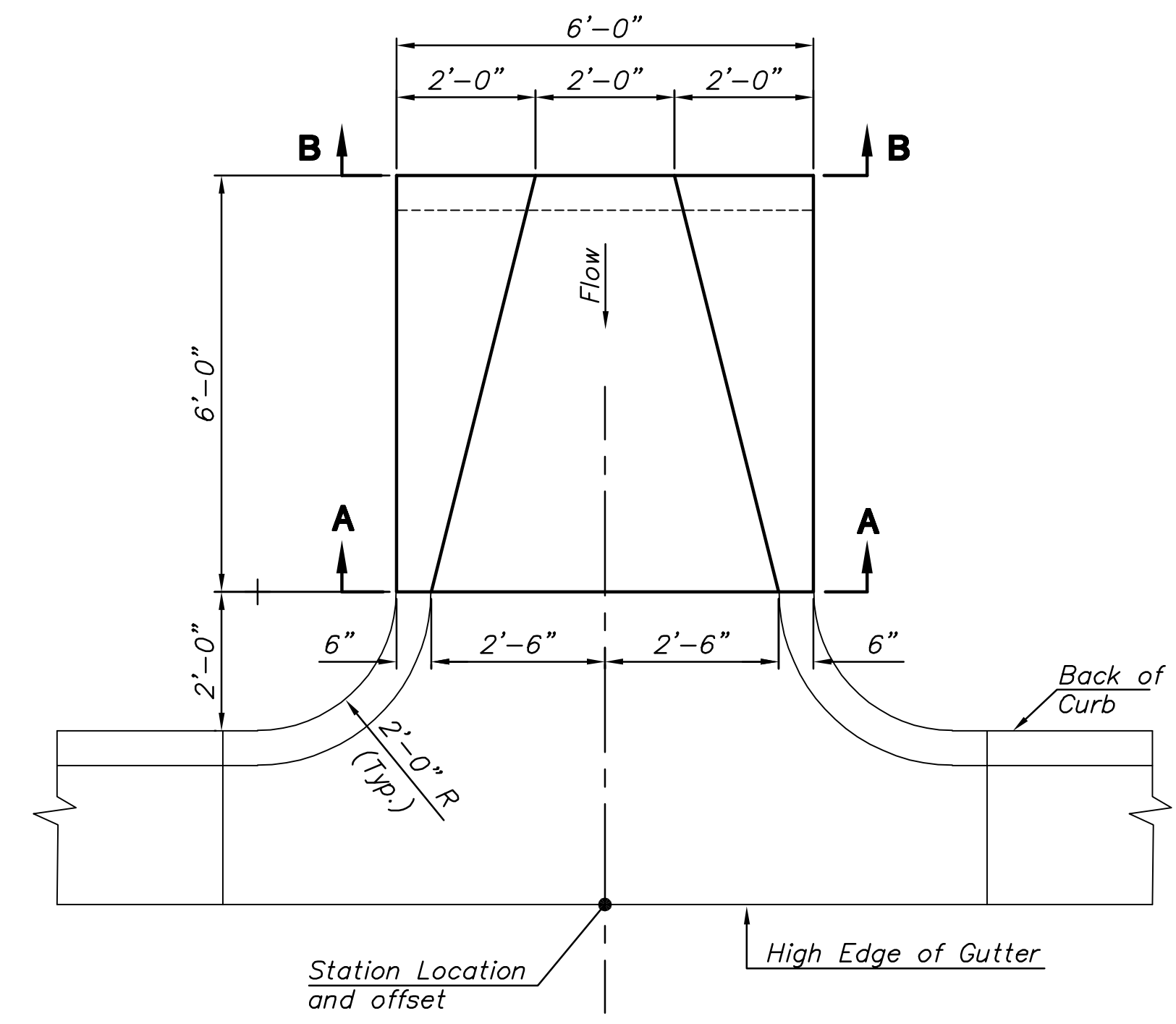


PLAN

CONCRETE SIDEWALK FLUME DETAIL

* Concrete Panel for 10'-0" wide sidewalk

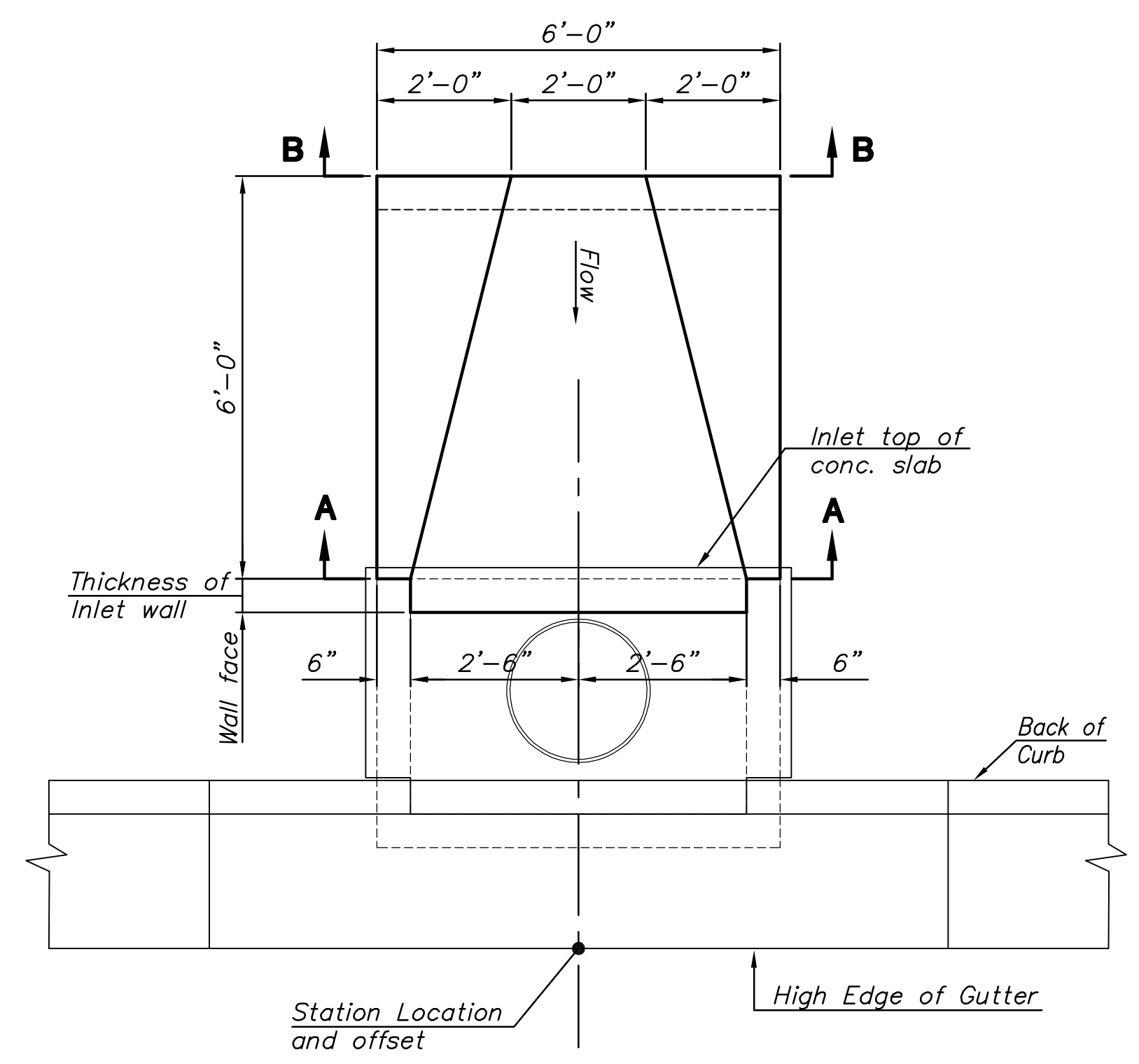
SIDEWALK FLUME SUMMARY			
STATION	SIDE	TOP	FLOW
76+26	Rt.	1359.28	1358.61
85+40	Rt.	1359.63	1358.96



PLAN

CONCRETE CURB CUT FLUME DETAIL

LOCATION	
STATION	SIDE



PLAN

INLET HOOKUP, SPECIAL

LOCATION	
STATION	SIDE
88+52.2	Rt.

PLOTED: Friday, March 09, 2012 @ 02:02PM

J:\Civil\10265\DWG\Details\10265_SWS Misc Dtl-a