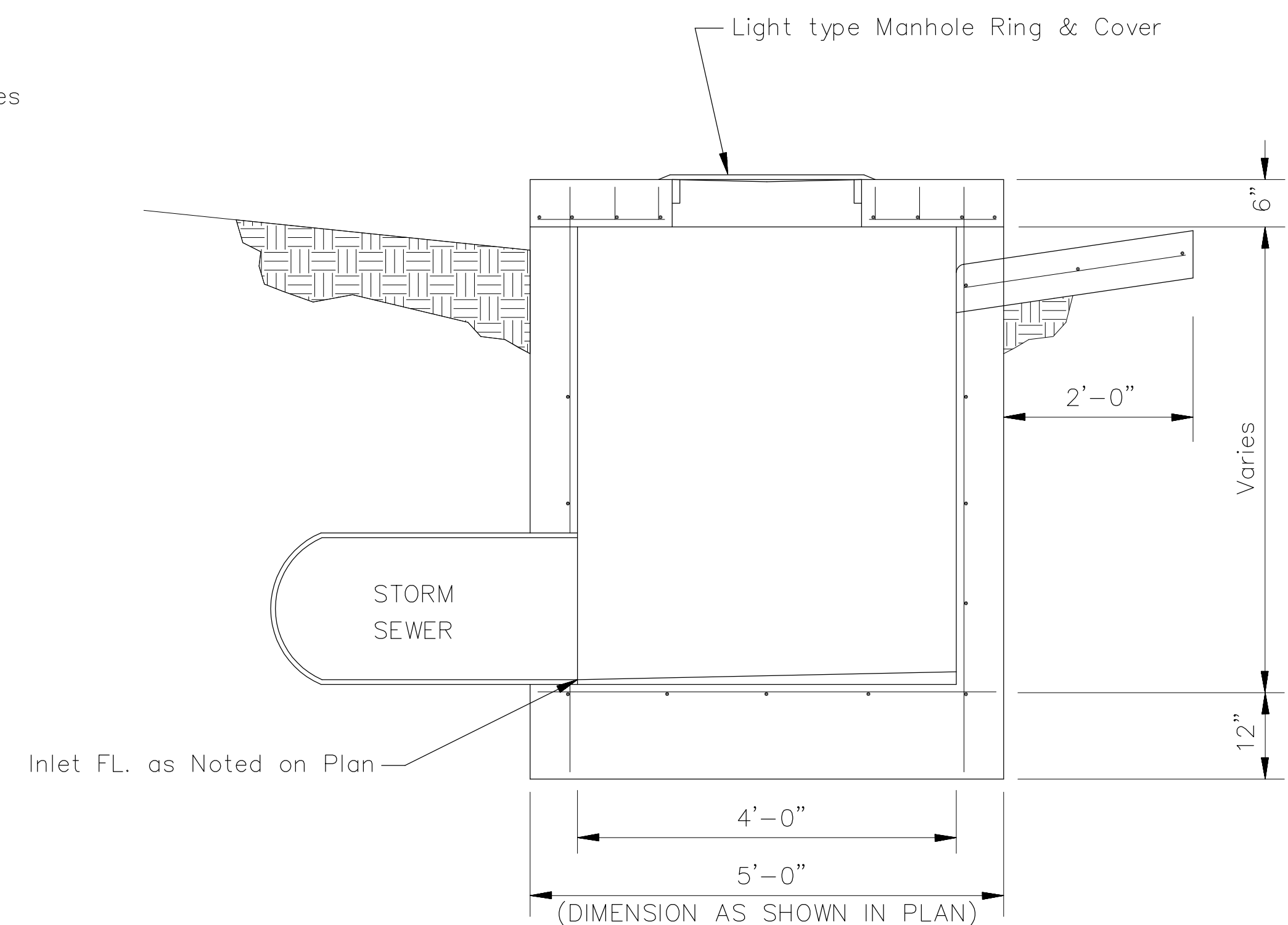


Provide 3" Radius Curves at All Inlet Openings



NOT TO SCALE

HOT SPOTS - E INDIANAPOLIS & S MANSFIELD					
STORM SEWER PLANS					
AREA INLET DETAILS					
CITY OF WICHITA, KANSAS					
JAMES L. ARMOUR, P.E. - CITY ENGINEER					
C.O.M. Proj. 465-84795 OCA No. 66000					
POE & ASSOCIATES, INC.					
CONSULTING ENGINEERS					
5940 E. Central, Suite 200 - Wichita, KS					
6206-4242					
Phone 316/685-4114 - FAX 316/685-4444					
					
					
Engineer: S. SERVIS					
Designer: S. SERVIS					
Drawing: P: 101992/sitebase.dwg					
Date: DECEMBER 2011					
Sheet					
4 of 16					