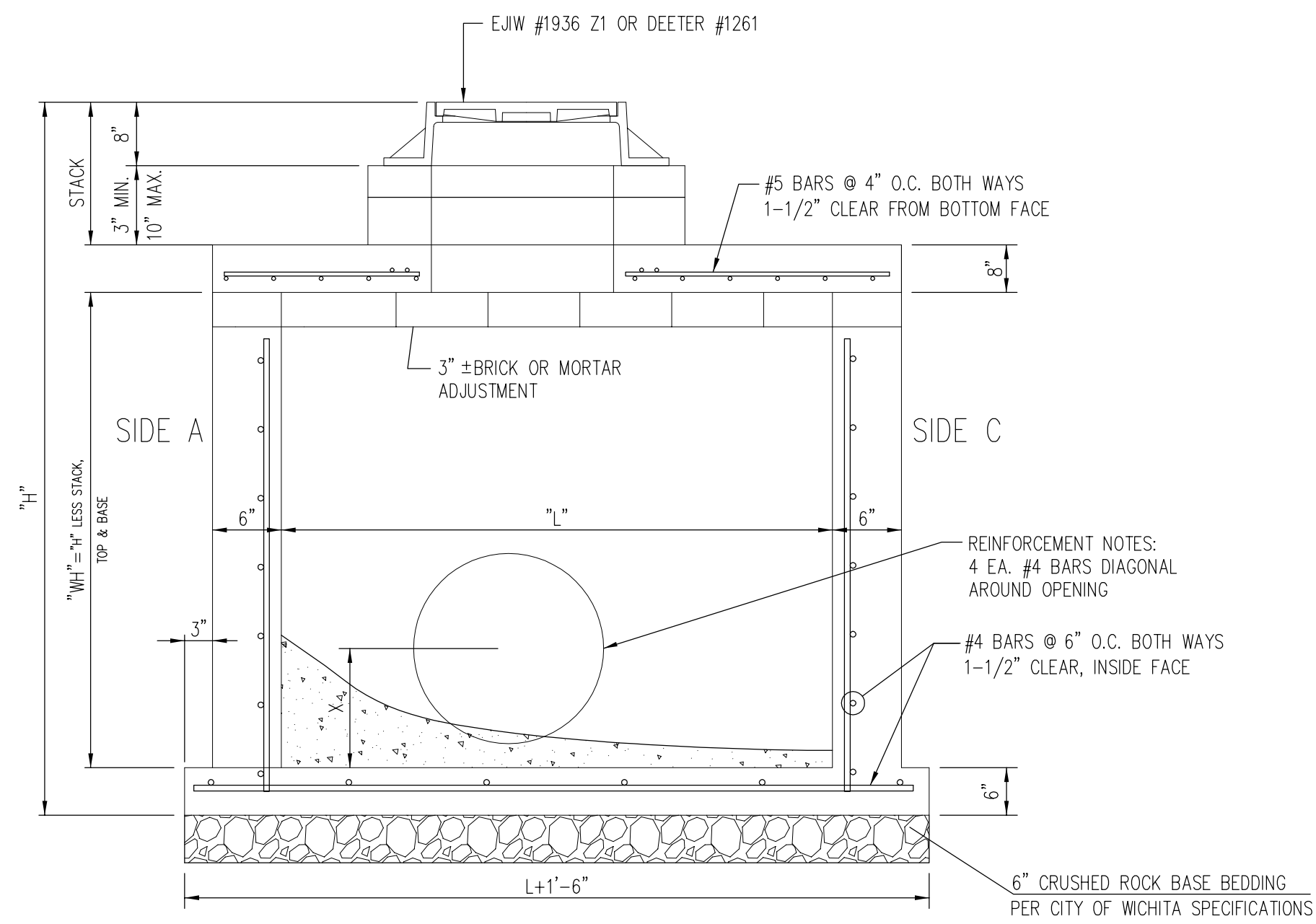
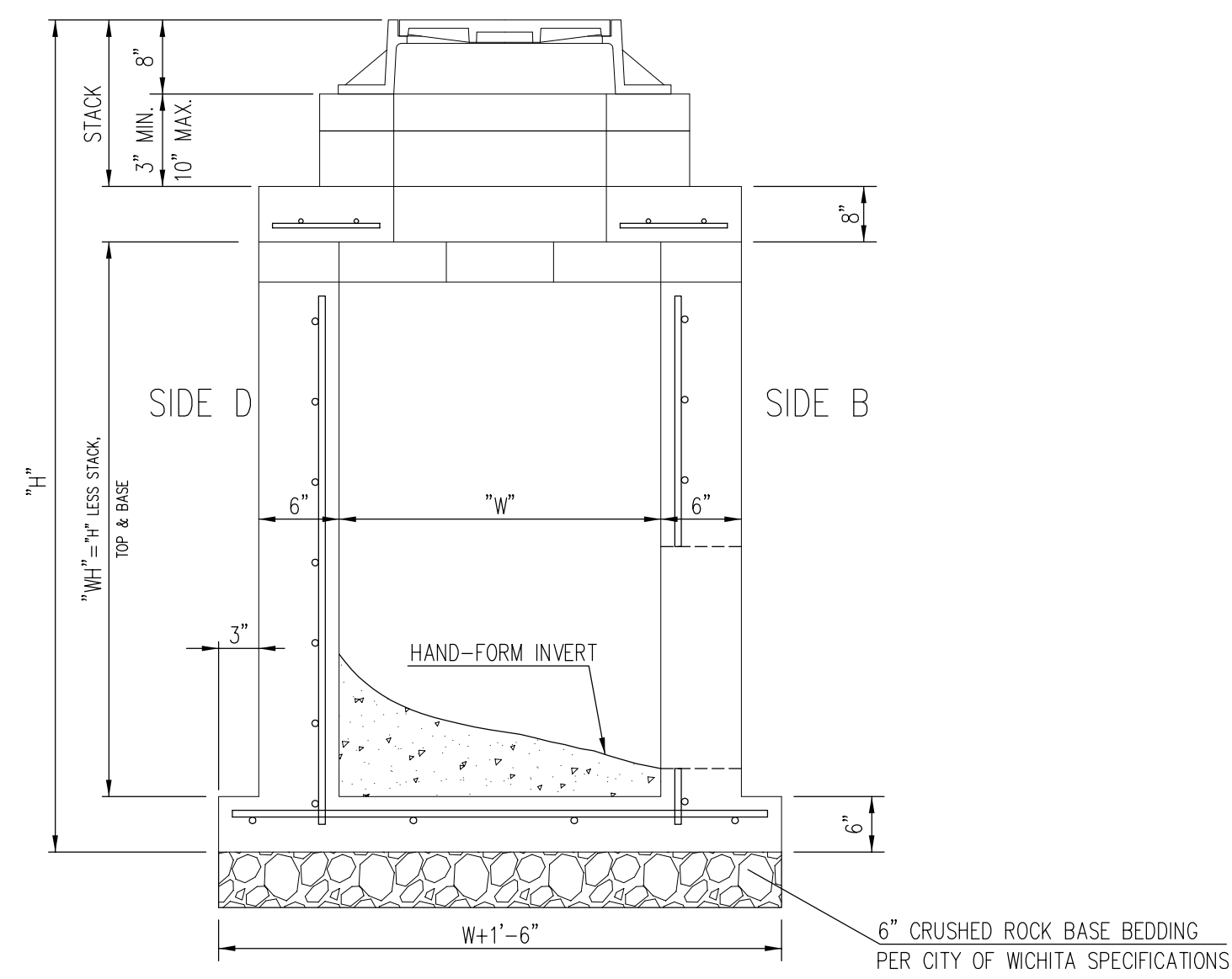


TOP VIEW



SECTION "A-A"



SECTION "B-B"

GENERAL NOTES

1. GRATE FRAME TO BE INSTALLED ON THIN MORTAR CUSHION TO INSURE FULL SUPPORT ALONG BRICK. CONCRETE USED FOR INLET CONSTRUCTION SHALL CONFORM TO CITY OF WICHITA SPECIFICATIONS FOR CONCRETE PAVEMENT MIX.
2. INLET INVERT SHALL BE SHAPED WITH 8 SACK SAND MIX CONCRETE TO CREATE FLOW CHANNELS AND TO INCREASE HYDRAULIC EFFICIENCY SUCH THAT THE INLET WILL BE SELF CLEANING BETWEEN ALL INLET AND/OR OUTLET PIPES.
3. THE ENDS OF ALL PIPES INSTALLED IN INLETS SHALL BE CUT OFF FLUSH WITH THE INSIDE FACE OF THE INLET WALL.
4. INLET FRAME AND GRATE TO BE DEETER #1261, EJIW #1936-Z1 OR APPROVED EQUAL, SEE SW-303.
5. CONTRACTOR SHALL REMOVE LIFTING HOOKS AFTER INSTALLATION. RECESSES IN MANHOLE WALL SHALL BE GROUTED FLUSH TO THE MANHOLE WALL WITH HYDRAULIC CEMENT AFTER THE MANHOLE IS IN PLACE. LIFTING HOLES THRU THE MANHOLE WALL WILL NOT BE ACCEPTED.



<b>REINFORCED CONCRETE MANHOLE (STORM SEWER)</b>		
CITY ENGINEER <b>JAMES L. ARMOUR, P.E., L.S.</b>		
PROJECT NUMBER	OCA NUMBER	DATE
		11/2010
CITY ENGINEER'S OFFICE		DESIGN
CITY HALL - SEVENTH FLOOR		DRAWN
455 NORTH MAIN STREET		
WICHITA, KANSAS 67202-1620		
(316) 268-4501		
SHEET		
_ of _		

No.		Date		By		Revision
1						
<p><b>HOT SPOTS - E INDIANAPOLIS &amp; S MANSFIELD</b>  <b>STORM SEWER PLANS</b>  <b>MANHOLE DETAILS</b>  <b>CITY OF WICHITA, KANSAS</b>          JAMES L. ARMOUR, P.E. - CITY ENGINEER          C.O.W. Proj. #65-84795 OCA No. 660800</p>						
<p><b>POE &amp; ASSOCIATES, INC.</b>  <b>CONSULTING ENGINEERS</b>          5940 E. Central, Suite 200 Wichita, KS          67206-242          Phone 316/685-4114 FAX 316/685-4444</p>						
<p><b>WICHITA</b></p>						
<p>Engineer: S. SERVIS          Designer: S. SERVIS          Drawing: P: 101992/sitebase.dwg          Date: DECEMBER 2011</p>						
<p>Sheet</p>						
<p>6 of 16</p>						