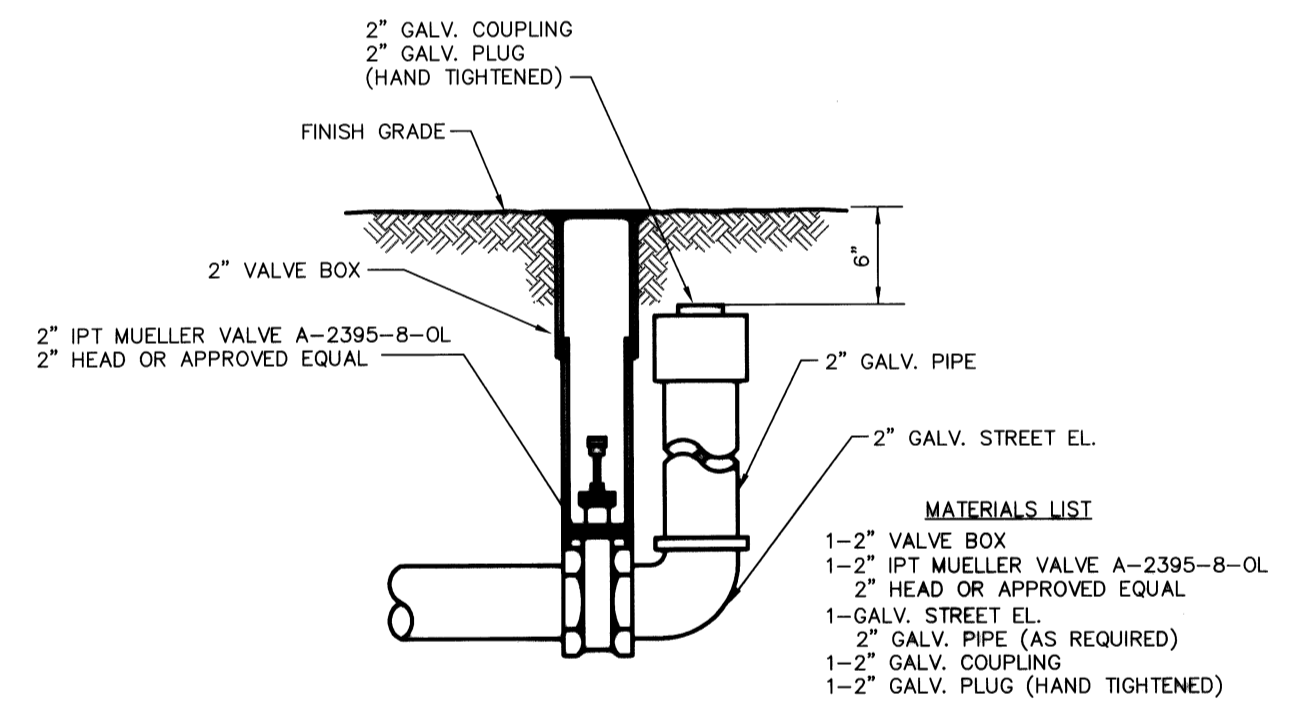
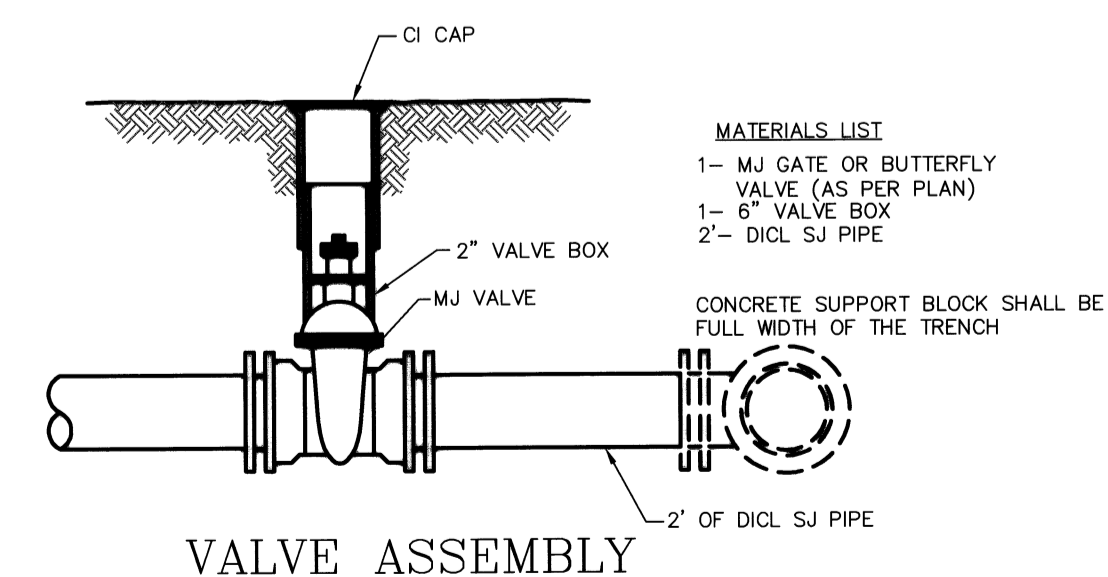


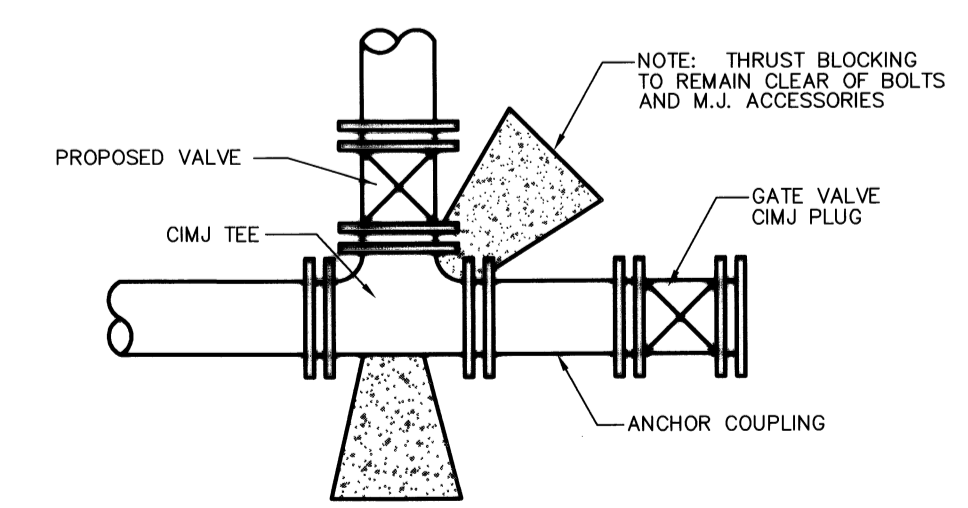
WATER LINE EASEMENTS



2" BLOWOFF ASSEMBLY



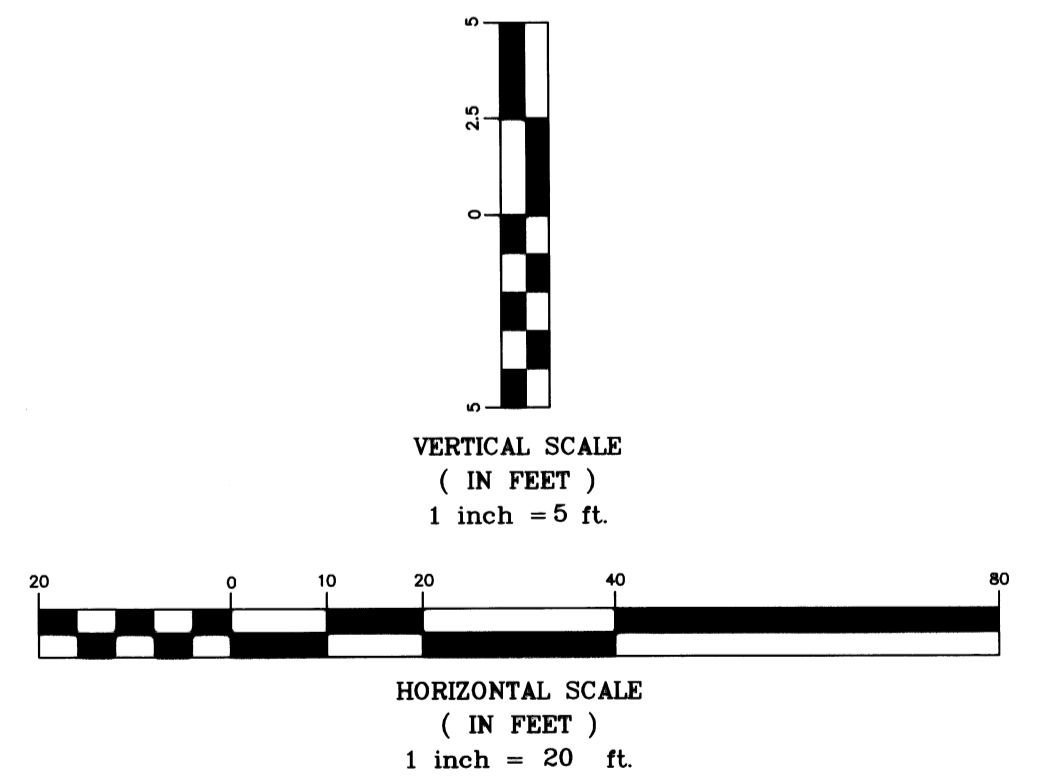
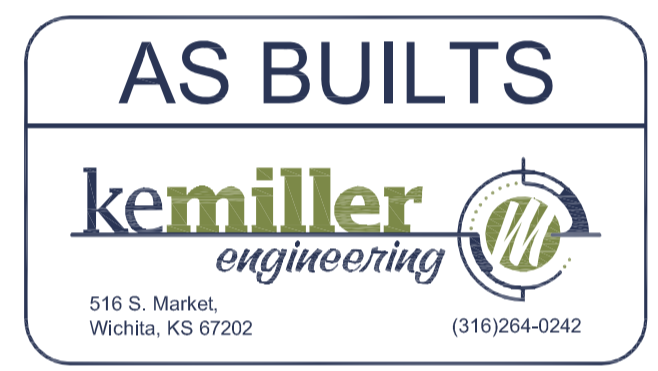
VALVE ASSEMBLY



KEY BLOCK DETAIL

160		Cut-in 1- 2"x2" MJ Tee		160
		2- 2" MJ Valves (S,W)		
		2- 2" Valve Boxes		
150		2" Blowoff Assembly		150
		Ground		
140		15.00 LF of 2" PVC	22.50 LF of 2" PVC	140
130		2" Top = 145.00	2" Top = 145.00 + 15.00	130
			2" Top = 145.00 + 37.50	
	0+00		0+50	

- General Notes:**
1. All construction is held within City of Wichita Easements.
 2. Construction is to be performed so disturbance to existing water services are held to a minimum.
 3. Sta. 00+00.00 - Cut-in 2"x2" MJ Tee and 2" Valves and resume service through existing 2" water line prior to further construction on proposed line.



USD 259, Allen Elem. School
 Water Line Relocate
 Wichita, Kansas

kemiller engineering	PROJECT NUMBER			
	KEM NO. 11132	FILE	DATE 11/16/11	SHEET 2.0
DESIGN KM	DRAWN NS	REVISED		