

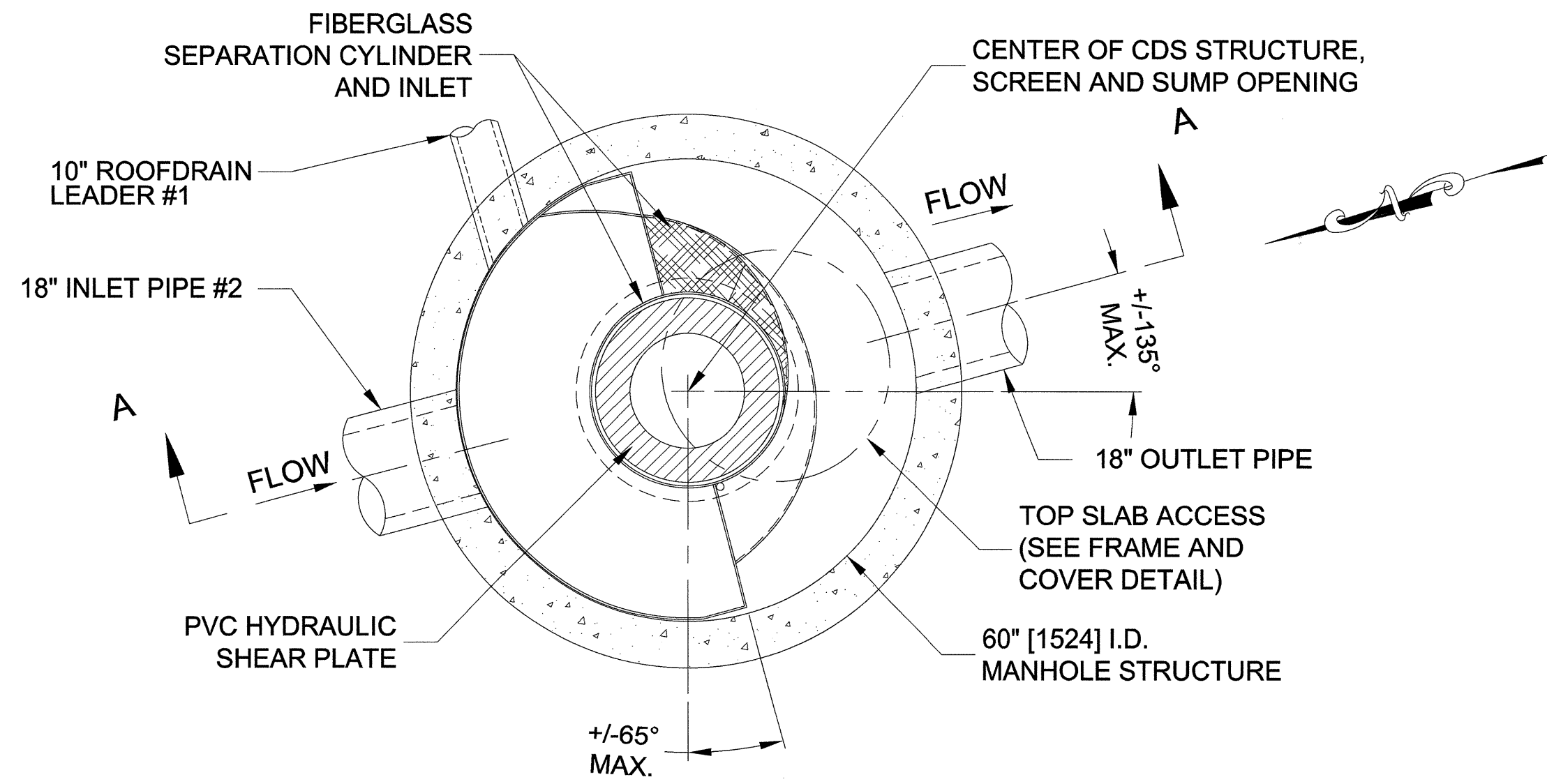
## CDS2025-5-C DESIGN NOTES

CDS2025-5-C RATED TREATMENT CAPACITY IS 1.6 CFS [45.3 L/s], OR PER LOCAL REGULATIONS. MAXIMUM HYDRAULIC INTERNAL BYPASS CAPACITY IS 14.0 CFS [396 L/s]. IF THE SITE CONDITIONS EXCEED 14.0 CFS [396 L/s], AN UPSTREAM BYPASS STRUCTURE IS REQUIRED.

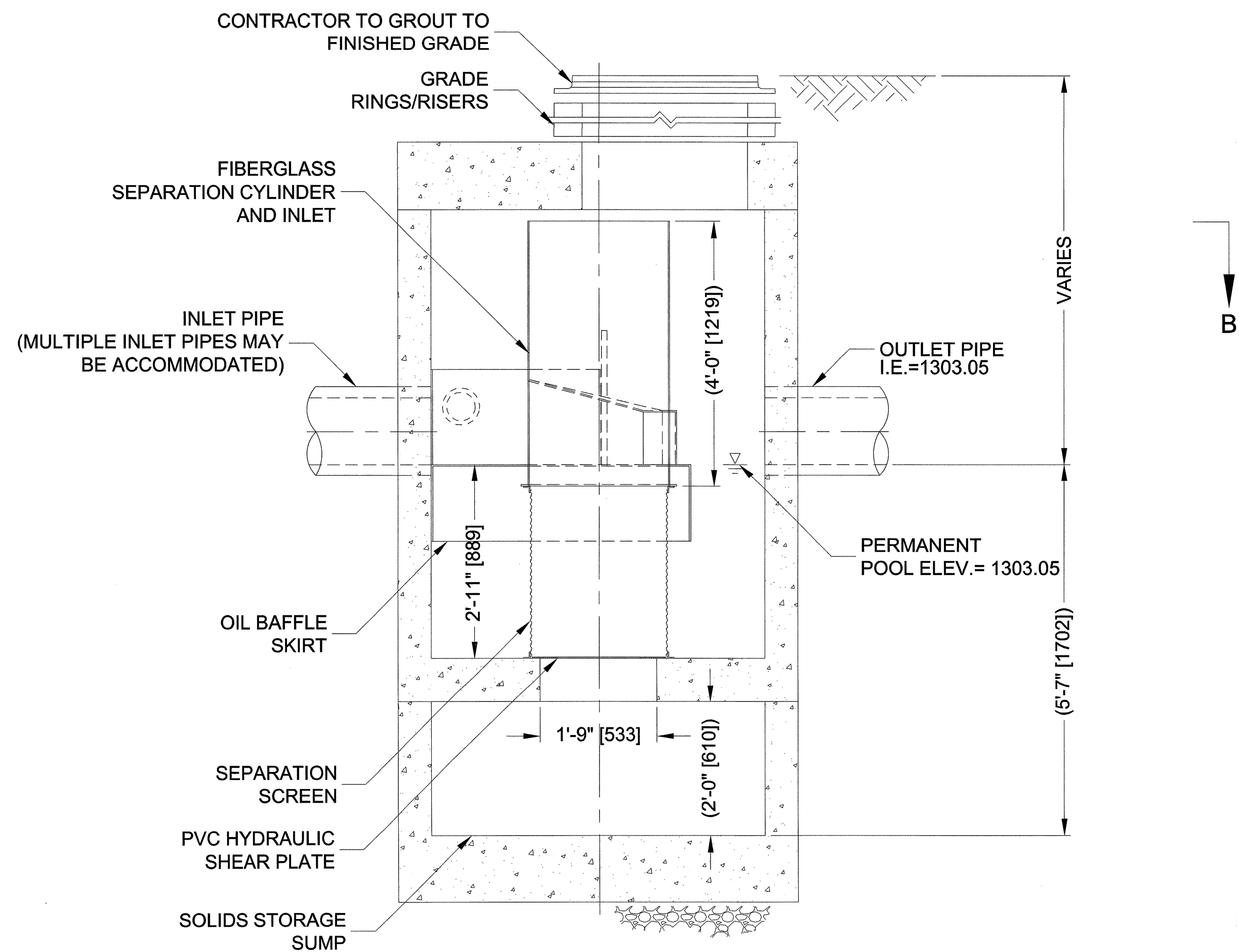
THE STANDARD CDS2025-5-C CONFIGURATION IS SHOWN. ALTERNATE CONFIGURATIONS ARE AVAILABLE AND ARE LISTED BELOW. SOME CONFIGURATIONS MAY BE COMBINED TO SUIT SITE REQUIREMENTS.

### CONFIGURATION DESCRIPTION

- GRATED INLET ONLY (NO INLET PIPE)
- GRATED INLET WITH INLET PIPE OR PIPES
- CURB INLET ONLY (NO INLET PIPE)
- CURB INLET WITH INLET PIPE OR PIPES
- SEPARATE OIL BAFFLE (SINGLE INLET PIPE REQUIRED FOR THIS CONFIGURATION)
- SEDIMENT WEIR FOR NJDEP / NJCAT CONFORMING UNITS



**PLAN VIEW B-B**  
N.T.S.



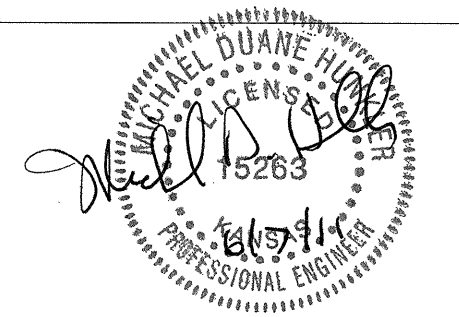
**ELEVATION A-A**  
N.T.S.



**FRAME AND COVER**  
(DIAMETER VARIES)  
N.T.S.

### SITE SPECIFIC DATA REQUIREMENTS

STRUCTURE ID			
WATER QUALITY FLOW RATE (CFS OR L/s)		1.24	
PEAK FLOW RATE (CFS OR L/s)		9.45	
RETURN PERIOD OF PEAK FLOW (YRS)		100	
SCREEN APERTURE (2400 OR 4700)			
PIPE DATA:	I.E.	MATERIAL	DIAMETER
INLET PIPE 1	1303.50	HDPE	10"
INLET PIPE 2	1303.15	HDPE	18"
OUTLET PIPE	1303.05	HDPE	18"
RIM ELEVATION			1308
ANTI-FLOTATION BALLAST	WIDTH	HEIGHT	
	N/A	*	
NOTES/SPECIAL REQUIREMENTS:			
* PER ENGINEER OF RECORD			



#### GENERAL NOTES

1. CONTECH TO PROVIDE ALL MATERIALS UNLESS NOTED OTHERWISE.
2. DIMENSIONS MARKED WITH ( ) ARE REFERENCE DIMENSIONS. ACTUAL DIMENSIONS MAY VARY.
3. FOR FABRICATION DRAWINGS WITH DETAILED STRUCTURE DIMENSIONS AND WEIGHTS, PLEASE CONTACT YOUR CONTECH CONSTRUCTION PRODUCTS REPRESENTATIVE. [www.contech-cpi.com](http://www.contech-cpi.com)
4. CDS WATER QUALITY STRUCTURE SHALL BE IN ACCORDANCE WITH ALL DESIGN DATA AND INFORMATION CONTAINED IN THIS DRAWING.
5. STRUCTURE SHALL MEET AASHTO HS20 AND CASTINGS SHALL MEET HS20 (AASHTO M 306) LOAD RATING, ASSUMING GROUNDWATER ELEVATION AT, OR BELOW, THE OUTLET PIPE INVERT ELEVATION. ENGINEER OF RECORD TO CONFIRM ACTUAL GROUNDWATER ELEVATION.
6. PVC HYDRAULIC SHEAR PLATE IS PLACED ON SHELF AT BOTTOM OF SCREEN CYLINDER. REMOVE AND REPLACE AS NECESSARY DURING MAINTENANCE CLEANING.

#### INSTALLATION NOTES

1. ANY SUB-BASE, BACKFILL DEPTH, AND/OR ANTI-FLOTATION PROVISIONS ARE SITE-SPECIFIC DESIGN CONSIDERATIONS AND SHALL BE SPECIFIED BY ENGINEER OF RECORD.
2. CONTRACTOR TO PROVIDE EQUIPMENT WITH SUFFICIENT LIFTING AND REACH CAPACITY TO LIFT AND SET THE CDS MANHOLE STRUCTURE (LIFTING CLUTCHES PROVIDED).
3. CONTRACTOR TO ADD JOINT SEALANT BETWEEN ALL STRUCTURE SECTIONS, AND ASSEMBLE STRUCTURE.
4. CONTRACTOR TO PROVIDE, INSTALL, AND GROUT PIPES. MATCH PIPE INVERTS WITH ELEVATIONS SHOWN.
5. CONTRACTOR TO TAKE APPROPRIATE MEASURES TO ASSURE UNIT IS WATER TIGHT, HOLDING WATER TO FLOWLINE INVERT MINIMUM. IT IS SUGGESTED THAT ALL JOINTS BELOW PIPE INVERTS ARE GROUTED.

C:\DOCUMENTS AND SETTINGS\ADAMS\DESKTOP\TEMP\CDS2025-5-C-DTL\_2004.DWG 5/17/2010 4:09 PM



THIS PRODUCT MAY BE PROTECTED BY ONE OR MORE OF THE FOLLOWING U.S. PATENTS: 6,760,846; 6,641,720; 6,511,585; 6,581,783. RELATED FOREIGN PATENTS, OR OTHER PATENTS PENDING.



9025 Centre Pointe Dr., Suite 400, West Chester, OH 45069  
800-338-1122 513-645-7000 513-645-7993 FAX

**CDS2025-5-C**  
**INLINE CDS**  
**STANDARD DETAIL**