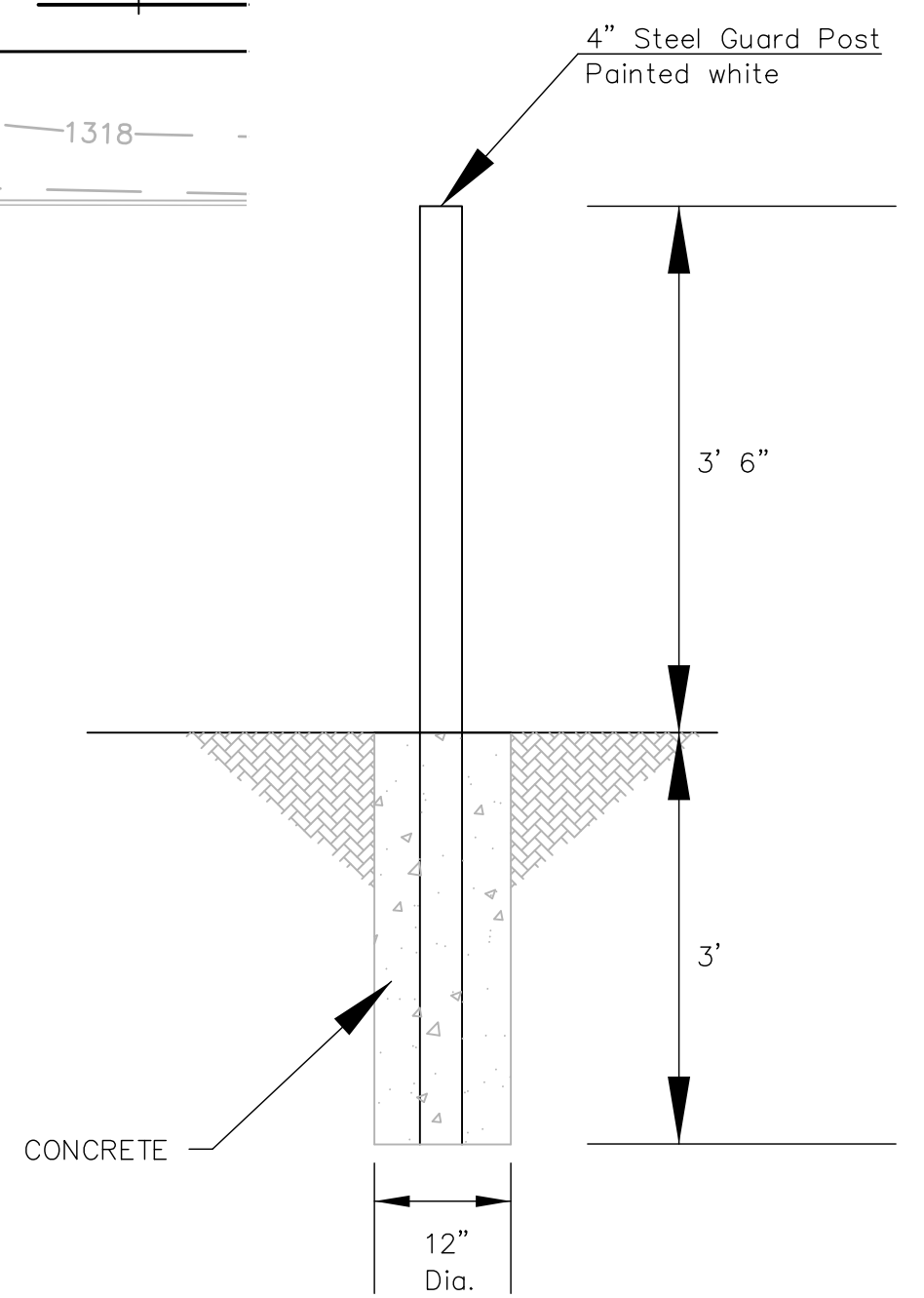
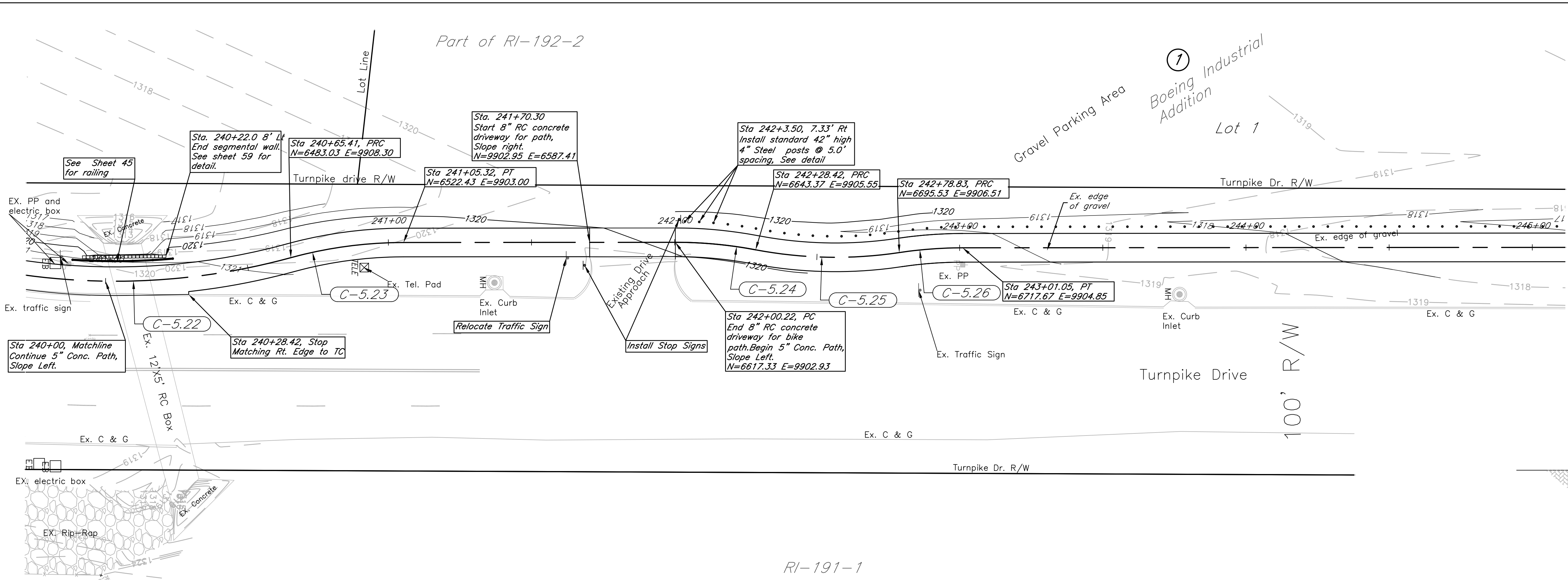
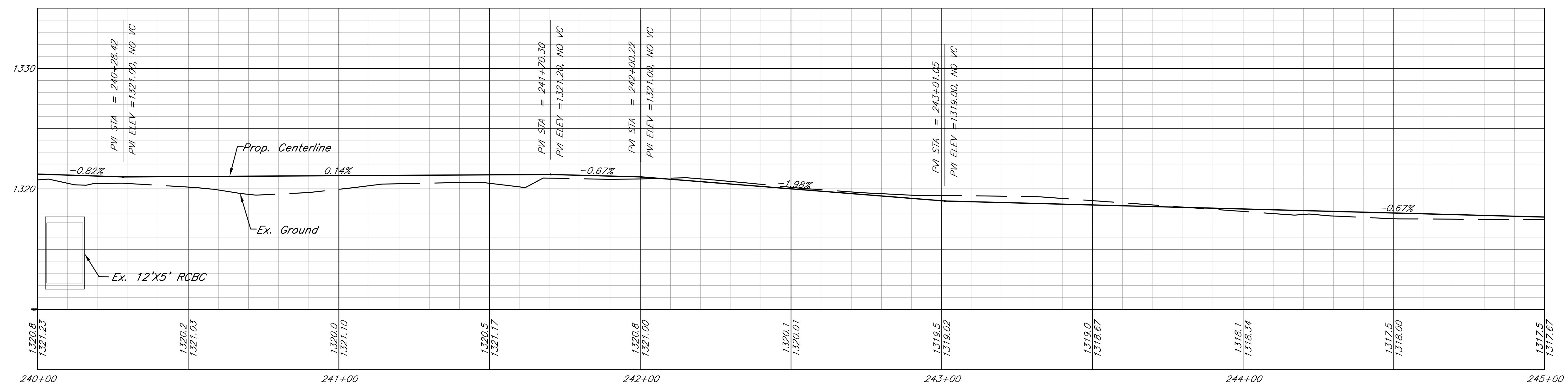
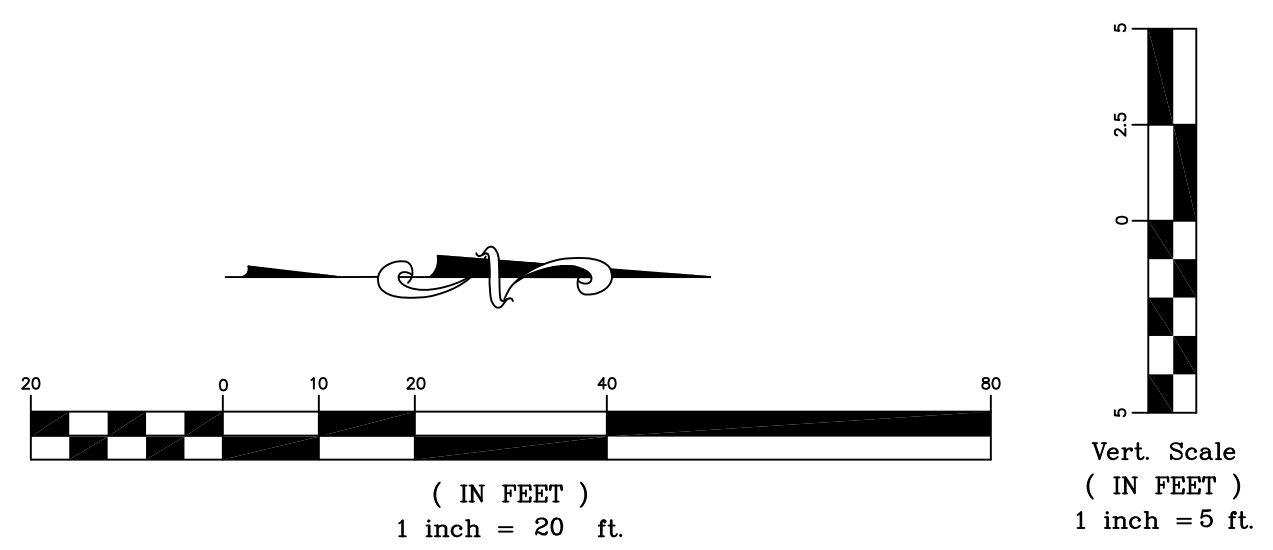



FHWA REG. NO.	STATE	PROJECT NO.	YEAR	SHEET NUMBER	TOTAL SHEETS
7	KANSAS	0282-01	2011	46	112



4" Steel Post Detail

CURVE INFORMATION TABLE						
CURVE NAME	BEGINNING STATION	BASIC INFORMATION			CHORD INFORMATION	
		RADIUS	DELTA	LENGTH	DEFLECT	LENGTH
C-5.22	239+67.11	232.64'	24°43'00"	100.36'	22°56'55" Lt	99.58'
C-5.23	240+67.47	151.48'	14°18'10"	37.81'	03°48'28" Lt	37.72'
C-5.24	242+00.22	150.00'	10°46'12"	28.20'	05°23'06" Rt	28.15'
C-5.25	242+28.42	150.00'	19°15'22"	50.41'	04°14'35" Lt	50.18'
C-5.26	242+78.83	150.00'	08°29'10"	22.22'	05°23'06" Lt	22.20'



  
 316/264-0242  
 516 S. Market,  
 Wichita, KS 67202

City of Wichita Bike Path Expansion  
**Sta 240+00 to 245+00**  
 Wichita, Kansas  
 PROJECT NUMBER: 472-84932  
 OCA# 707030

KEM NO. 05168	FILE dp1
DESIGN KM	DRAWN CD
DATE 08/2011	REVISED

SHEET  
**46**  
 OF  
**112**