

FHWA REG. NO.	STATE	PROJECT NO.	YEAR	SHEET NUMBER	TOTAL SHEETS
7	KANSAS	0282-01	2011	57	112

**GENERAL NOTES**

The contractor shall provide and install from components supplied by Keystone, Mesa, Rockwood, or Versa-Lok, or an approved equal, in accordance with the supplier's recommendations and construction manual.

The wall shall be beveled faced. The color shall be Tan, as approved by the Engineer.

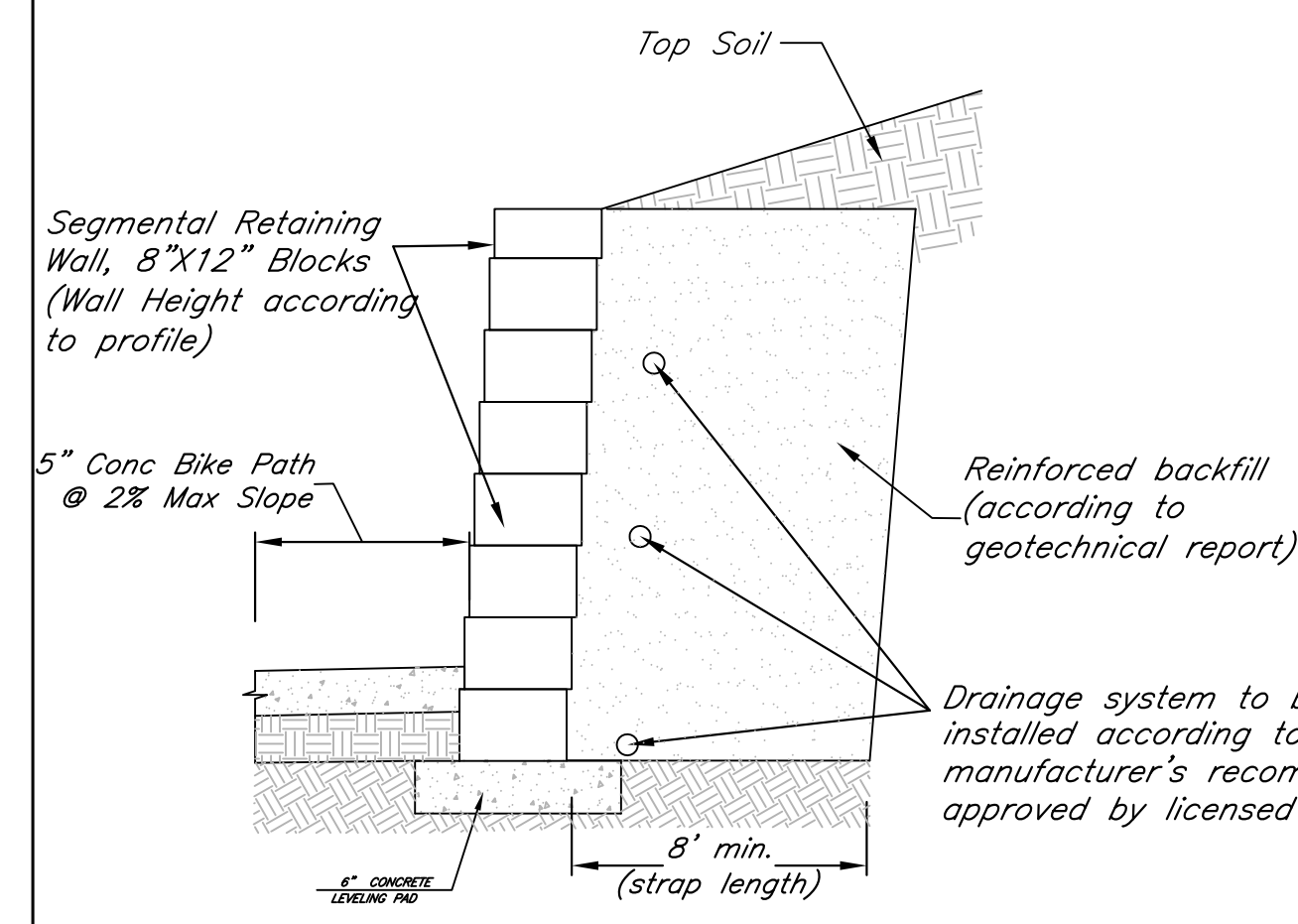
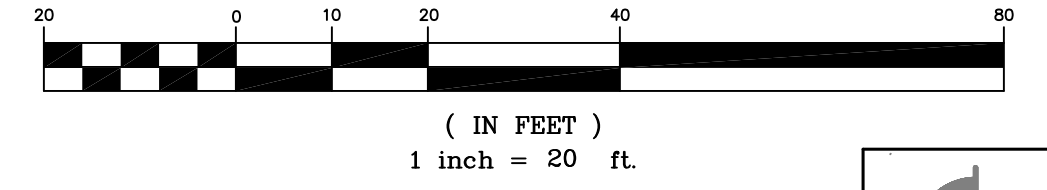
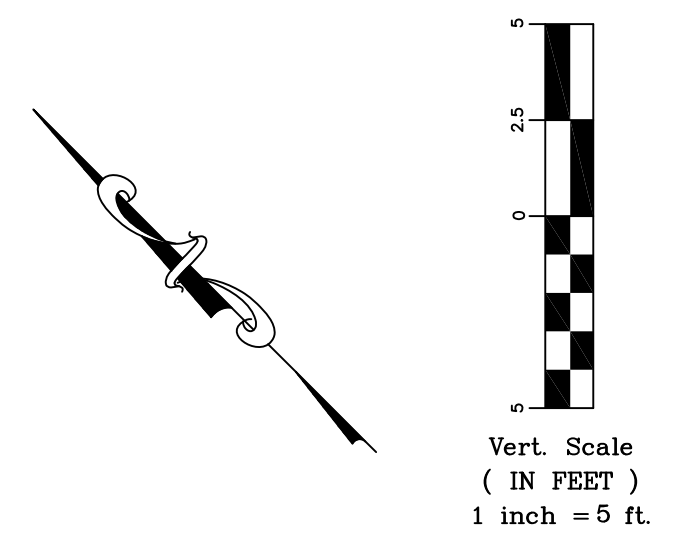
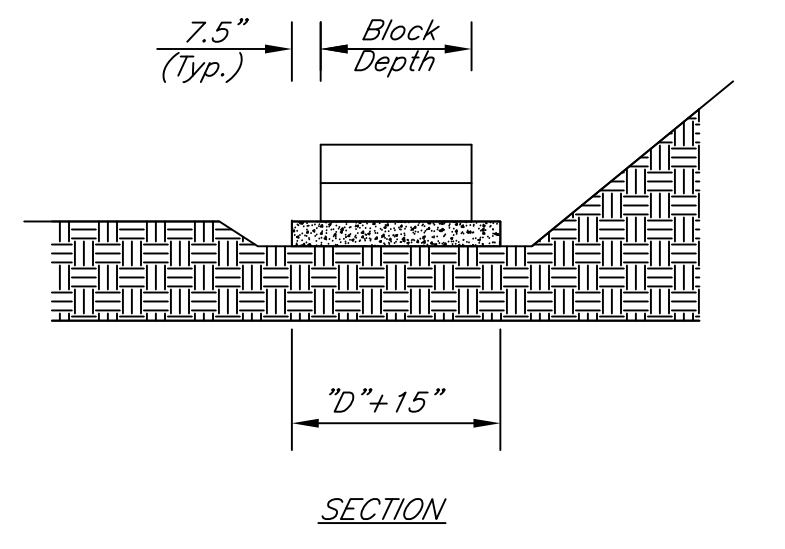
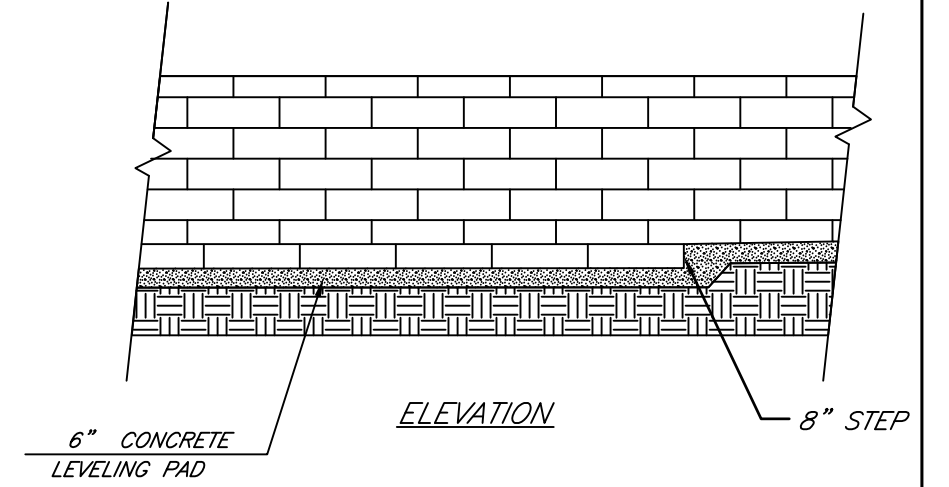
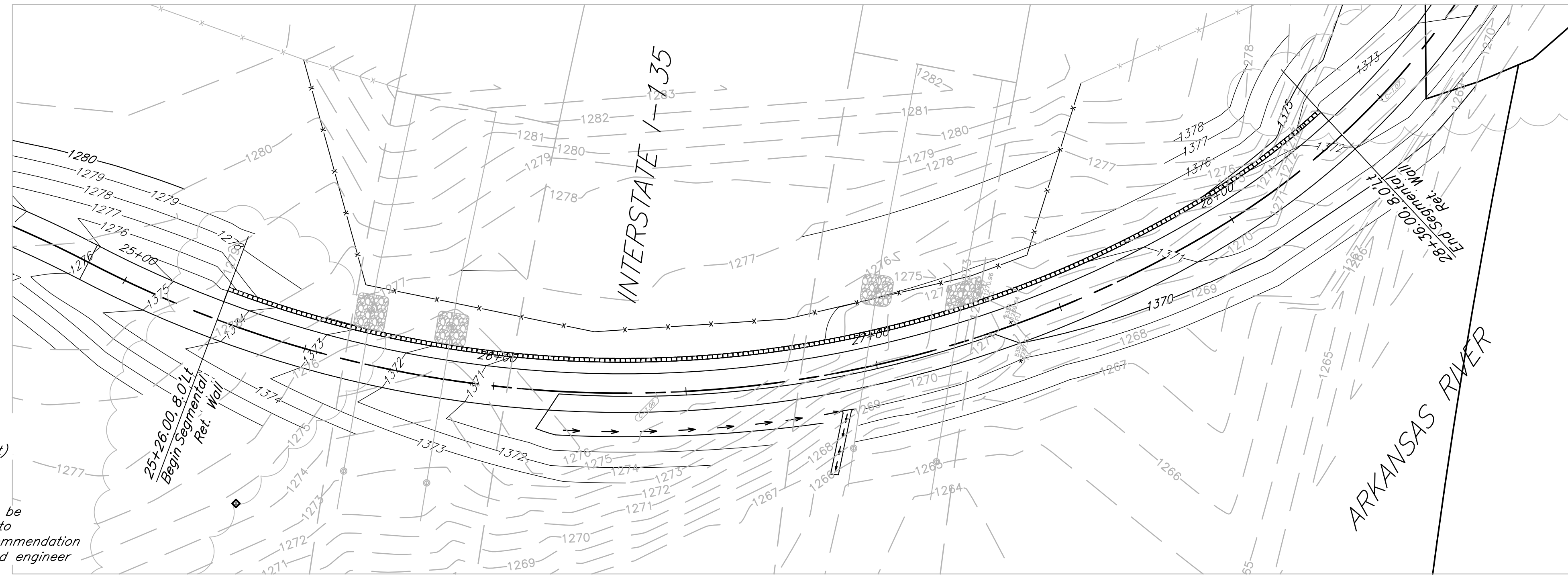
Segmental Retaining Wall will be paid for at the contract unit price bid per square foot as measured from the top of wall to the top of leveling pad. This payment will be considered full compensation for erection of the wall including but not limited to: excavation, grading and compaction of the wall foundation, general and local dewatering as required for proper execution of the work, construction of leveling pads, erection of the modular block wall elements, placement of geogrids and connectors and compaction of select backfill material within the reinforced soil volume, and providing and placing cap as required.

The contractor shall be responsible for location of all underground utilities prior to construction.

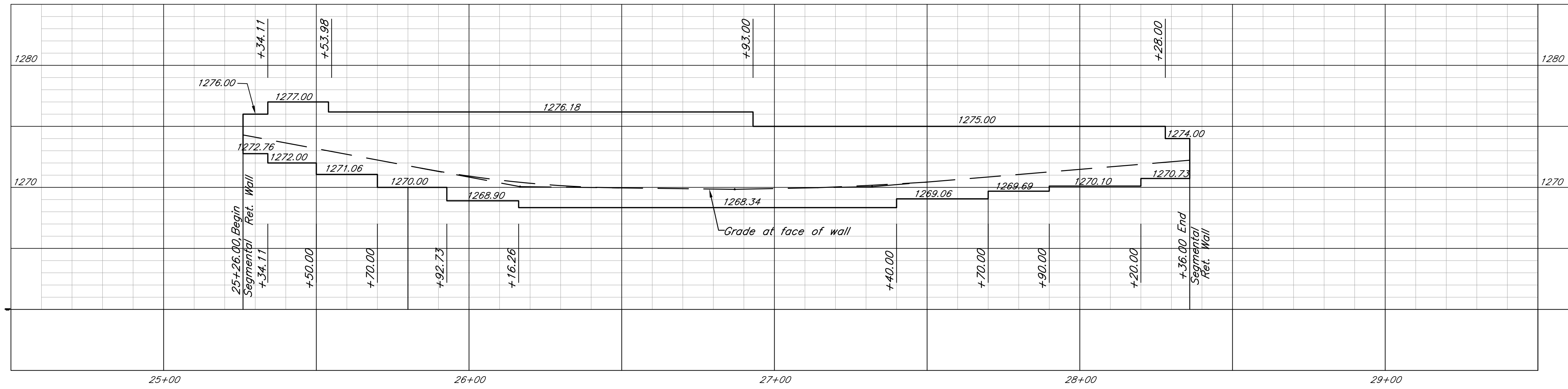
Contractor shall submit engineered wall drawings and details for specific segmental retaining wall that will be used in this situation. Details will include reinforcing, drainage, and color sample (earthtone) and needs to be designed, signed and sealed by a licensed engineer in State of Kansas.

Contractor shall backfill the retaining wall with mechanically reinforced earth backfill material, in accordance to geotechnical report.

# Retaining Wall



Overall Wall Section (Not to Scale)



**kemiller engineering**  
316/264-0242  
516 S. Market, Wichita, KS 67202

City of Wichita Bike Path Expansion  
**Retaining wall profile**  
Wichita, Kansas

PROJECT NUMBER: 472-84932  
FILE NUMBER: OCA# 707030

KEM NO. 05168	DESIGN KM	DATE 08/2011
FILE retaining	DRAWN CP	REVISED

SHEET 57 OF 112