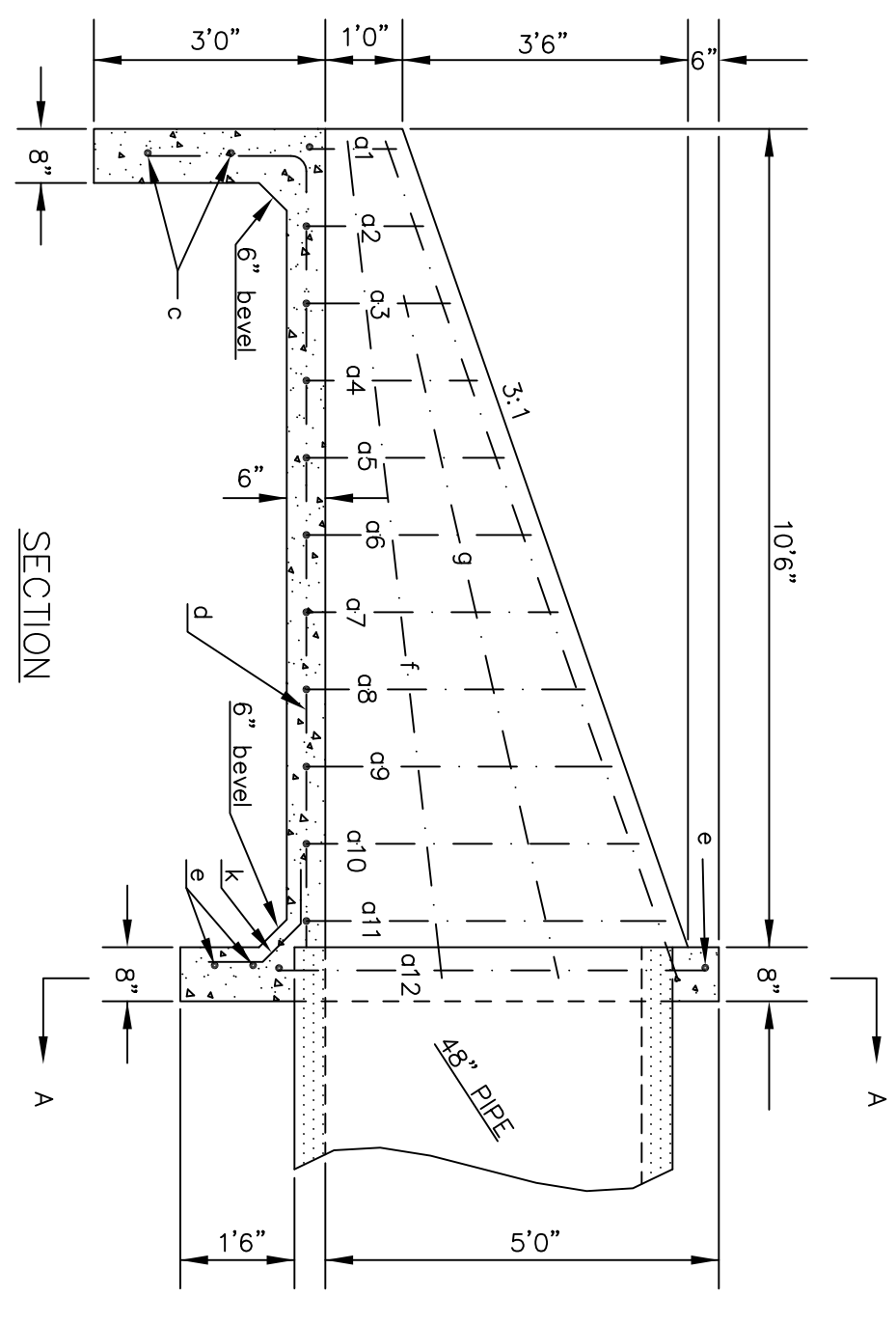


TABLE OF QUANTITIES				
BAR NUMBER	LENGTH	SHAPE	WEIGHT	
a1	10'11"	[Shape]	7.79	
a2	10'13"	[Shape]	7.92	
a3	11'8"	[Shape]	7.79	
a4	12'9"	[Shape]	8.07	
a5	12'6"	[Shape]	8.35	
a6	13'0"	[Shape]	8.68	
a7	13'5"	[Shape]	8.96	
a8	13'10"	[Shape]	9.24	
a9	14'3"	[Shape]	9.52	
a10	14'8"	[Shape]	9.80	
a11	15'2"	[Shape]	10.13	
a12	18'10"	[Shape]	11.24	
b	12'7"	[Shape]	6.725	
c	8'6"	[Shape]	11.36	
d	11'6"	[Shape]	15.36	
e	6'5"	[Shape]	12.91	
f	10'3"	[Shape]	14.36	
g	9'0"	[Shape]	12.02	
h1	1'2"	[Shape]	3.12	
h2	8"	[Shape]	1.78	
j	3'3"	[Shape]	8.68	
k	2'6"	[Shape]	1.69	
Total Rebar, lbs			265.97	
Concrete, C.Y.			4.75	

All rebars to be #4.

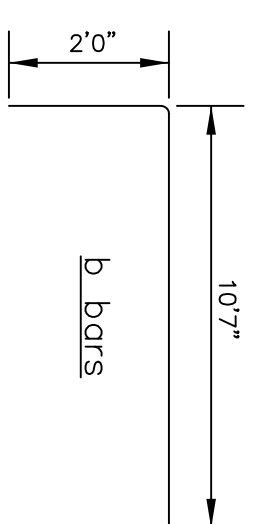
PLAN



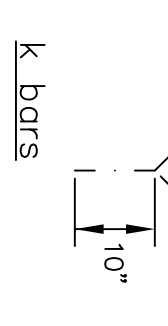
Note: All Exposed Edges Of Concrete to be chamfered 1/2-inch

a bars	
a1	8'6"
a2	8'3"
a3	8'0"
a4	7'9"
a5	7'6"
a6	7'4"
a7	7'1"
a8	6'10"
a9	6'7"
a10	6'4"
a11	6'2"
a12	6'2"

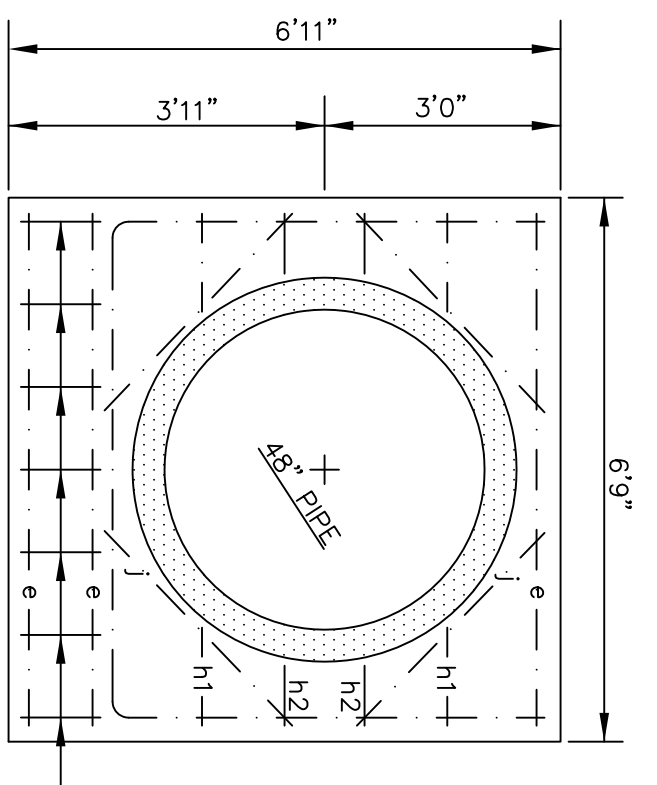
BAR NUMBER	LENGTH	SHAPE	WEIGHT
a1	12'2"	[Shape]	10.4
a2	16"	[Shape]	1.4
a3	11'0"	[Shape]	9.4
a4	2'2"	[Shape]	0.6
a5	2'6"	[Shape]	0.7
a6	2'10"	[Shape]	0.8
a7	3'2"	[Shape]	1.1
a8	3'6"	[Shape]	1.3
a9	3'10"	[Shape]	1.5
a10	4'2"	[Shape]	1.7
a11	4'6"	[Shape]	1.9
a12	5'4"	[Shape]	2.3



b bars



k bars



A-A SECTION

HEADWALL FOR 48" PIPE

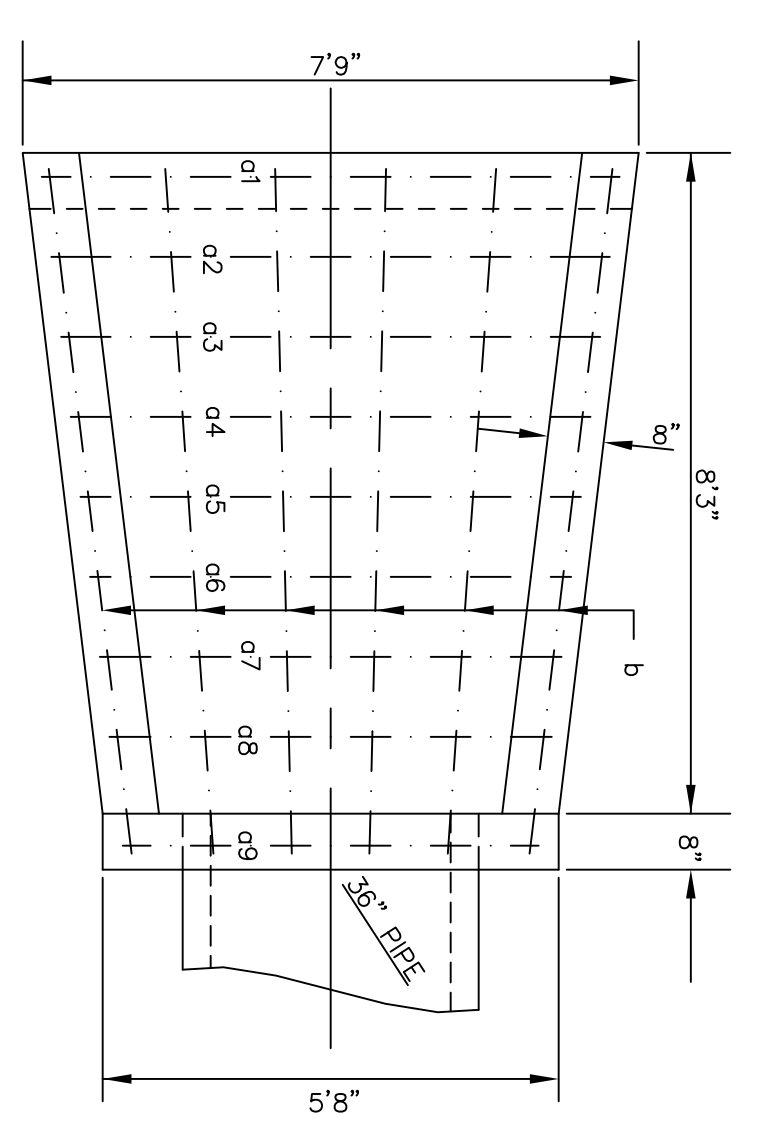
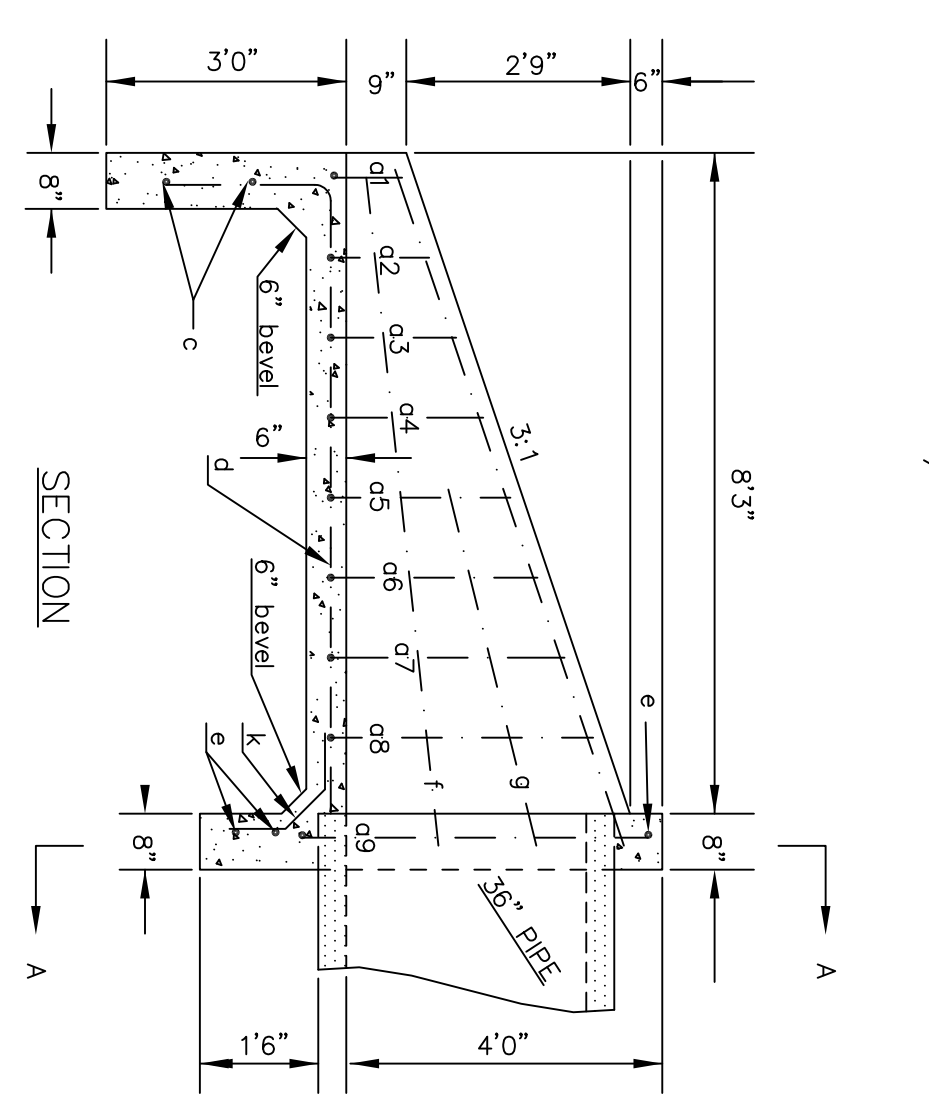


TABLE OF QUANTITIES				
BAR NUMBER	LENGTH	SHAPE	WEIGHT	
a1	8'0"	[Shape]	5.23	
a2	8'7"	[Shape]	6.01	
a3	10'0"	[Shape]	6.40	
a4	10'0"	[Shape]	6.68	
a5	10'5"	[Shape]	6.96	
a6	10'10"	[Shape]	7.24	
a7	11'3"	[Shape]	7.52	
a8	11'10"	[Shape]	7.90	
a9	14'0"	[Shape]	9.35	
b	10'4"	[Shape]	41.42	
c	7'0"	[Shape]	9.35	
d	9'0"	[Shape]	12.02	
e	5'4"	[Shape]	10.69	
f	8'5"	[Shape]	11.24	
g	4'7"	[Shape]	6.12	
h1	1'6"	[Shape]	4.01	
h2	10"	[Shape]	2.23	
j	4	[Shape]	8.02	
k	2'6"	[Shape]	1.69	
Total Rebar, lbs			178.91	
Concrete, C.Y.			3.2	

All rebars to be #4.

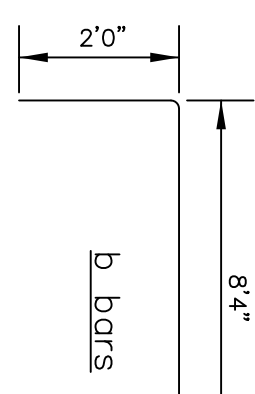
PLAN



Note: All Exposed Edges Of Concrete to be chamfered 1/2-inch

a bars	
a1	6'11"
a2	6'8"
a3	6'5"
a4	6'2"
a5	5'11"
a6	5'8"
a7	5'5"
a8	5'2"
a9	5'2"

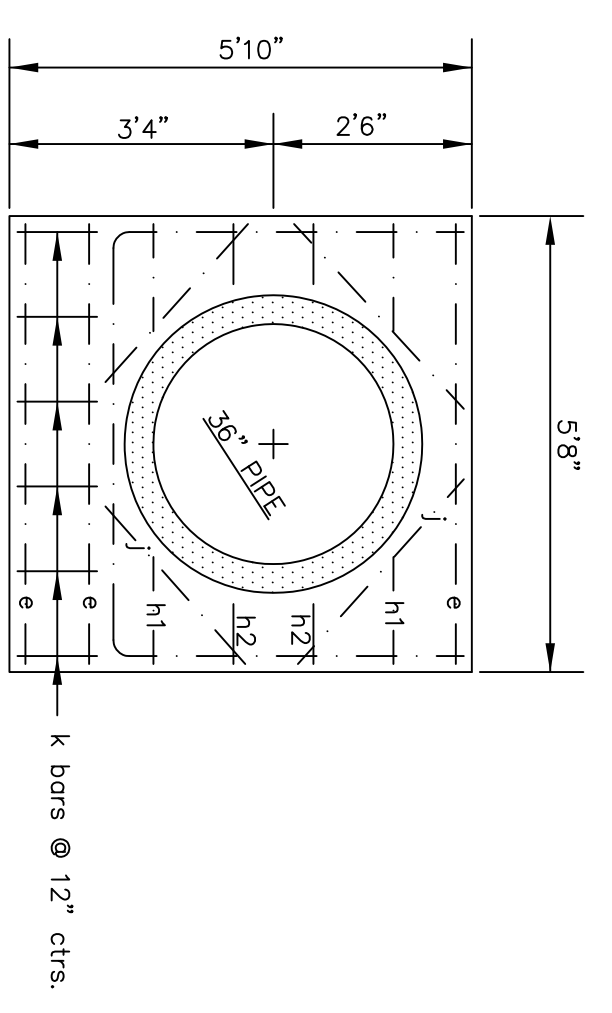
BAR NUMBER	LENGTH	SHAPE	WEIGHT
a1	10"	[Shape]	1.4
a2	1'2"	[Shape]	1.1
a3	1'7"	[Shape]	1.1
a4	1'11"	[Shape]	1.1
a5	2'2"	[Shape]	1.2
a6	2'7"	[Shape]	1.3
a7	2'11"	[Shape]	1.4
a8	3'5"	[Shape]	1.7
a9	3'9"	[Shape]	1.8



b bars




k bars



A-A SECTION

HEADWALL FOR 36" PIPE



CITY OF WICHITA
PUBLIC WORKS
ENGINEERING

HEADWALL DETAILS
FOR
36" & 48" PIPE

JAMES L. ARMOUR, P.E., L.S.
CITY ENGINEER

PROJECT NUMBER	COA NUMBER	DATE
CITY ENGINEER'S OFFICE		
DESIGN	DRAWN	
SHEET 68 OF 112		

CITY ENGINEER'S OFFICE
 445 NORTH MAIN STREET
 WICHITA, KS 67202
 (316) 268-2001
 (316) 268-3114 FAX

REV. 8-21-01

HEADWALL 36" & 48" DWG