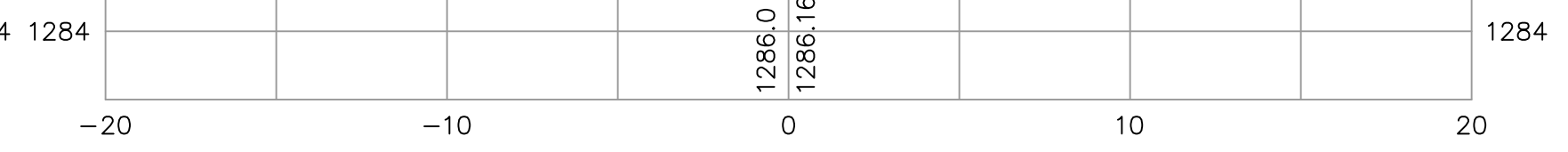
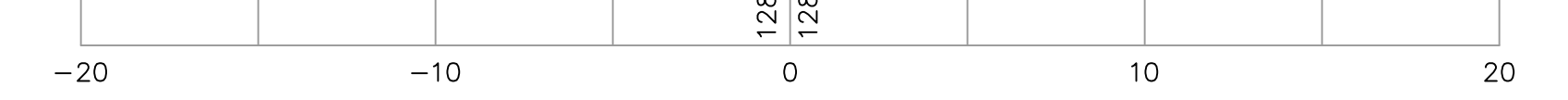
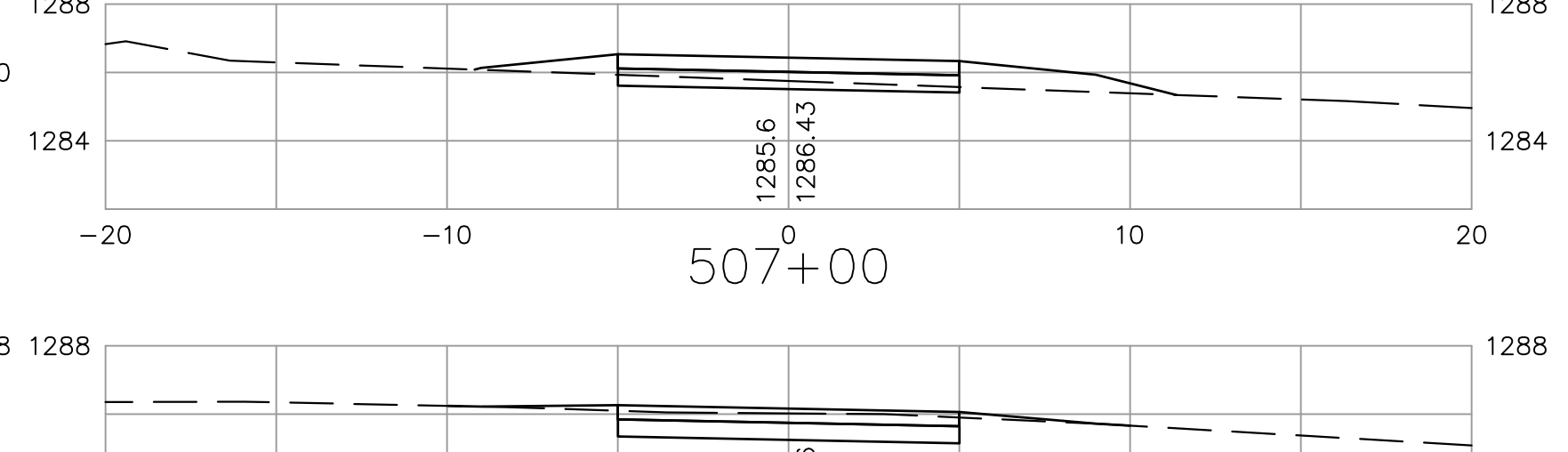
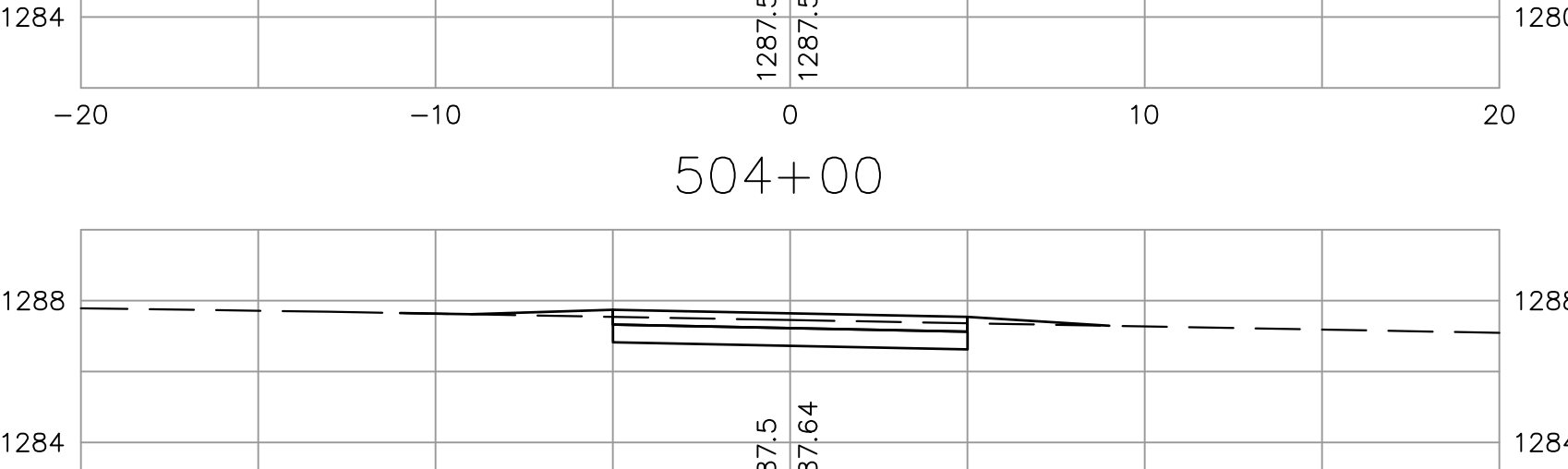
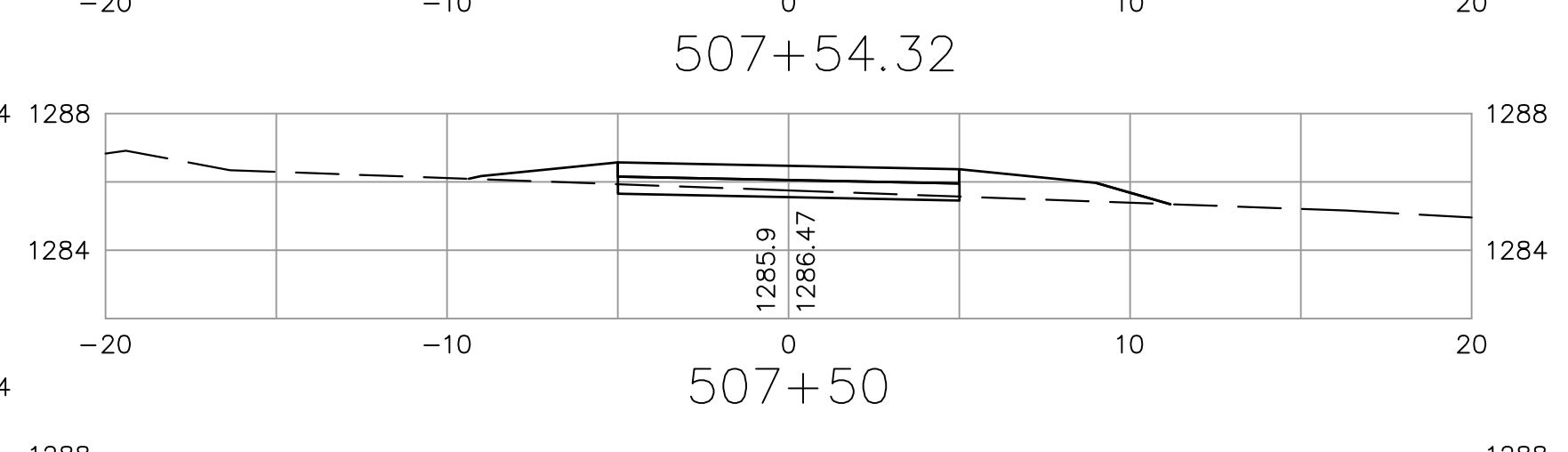
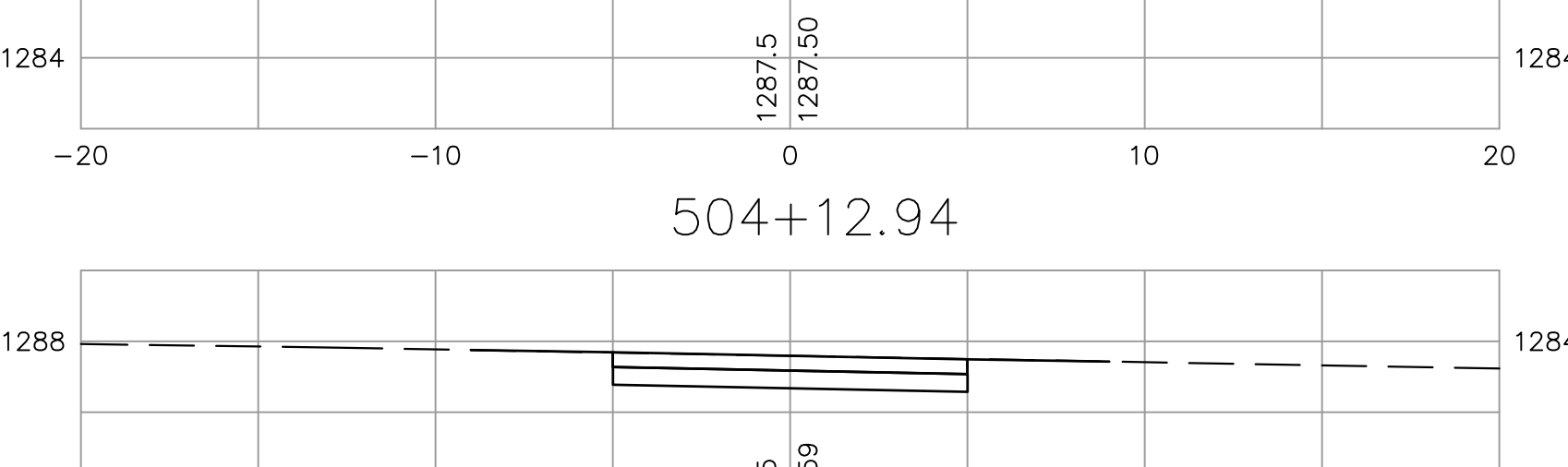
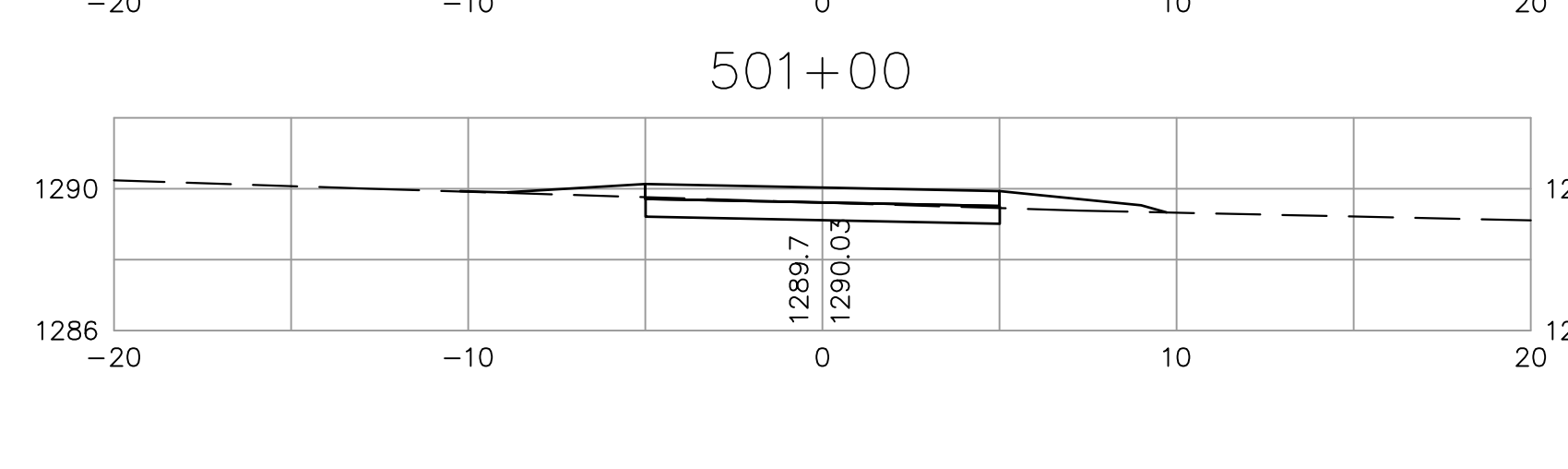
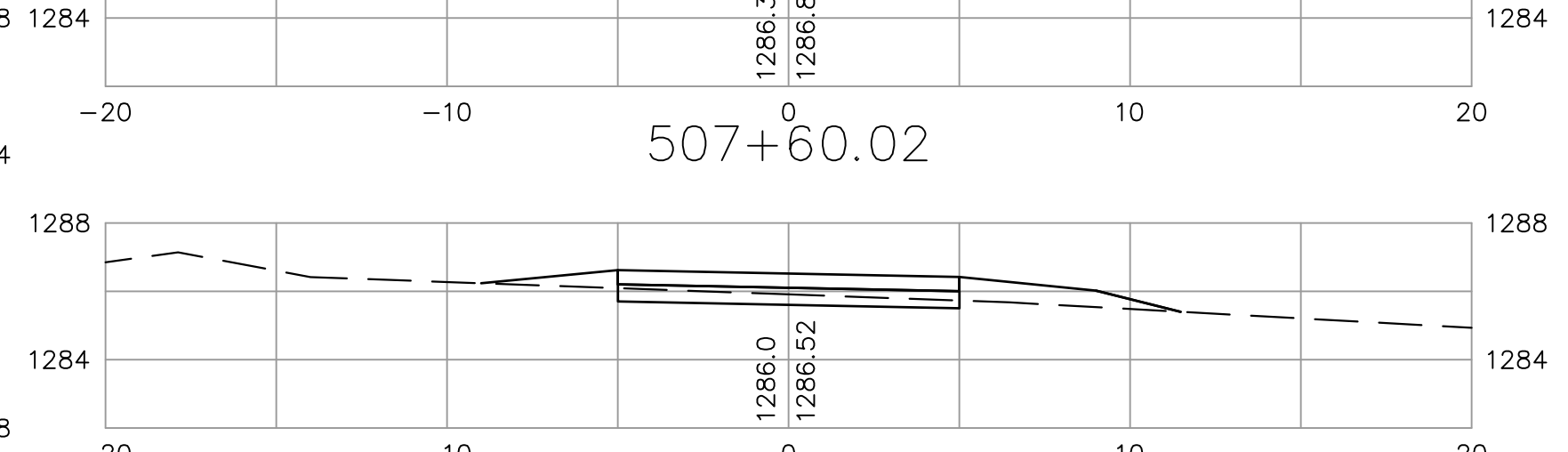
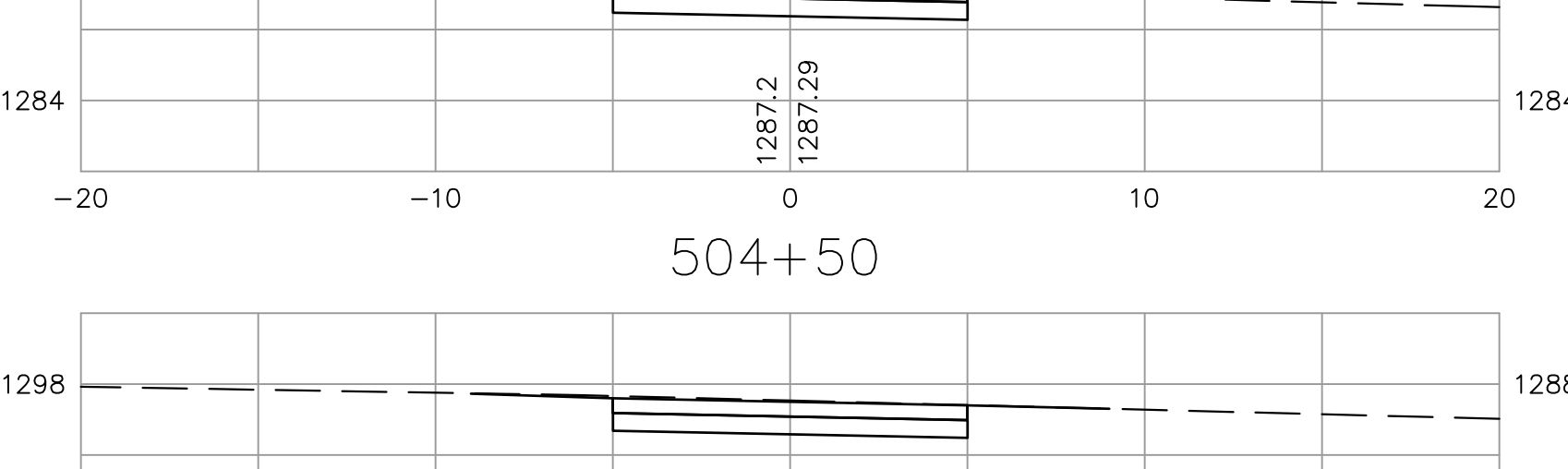
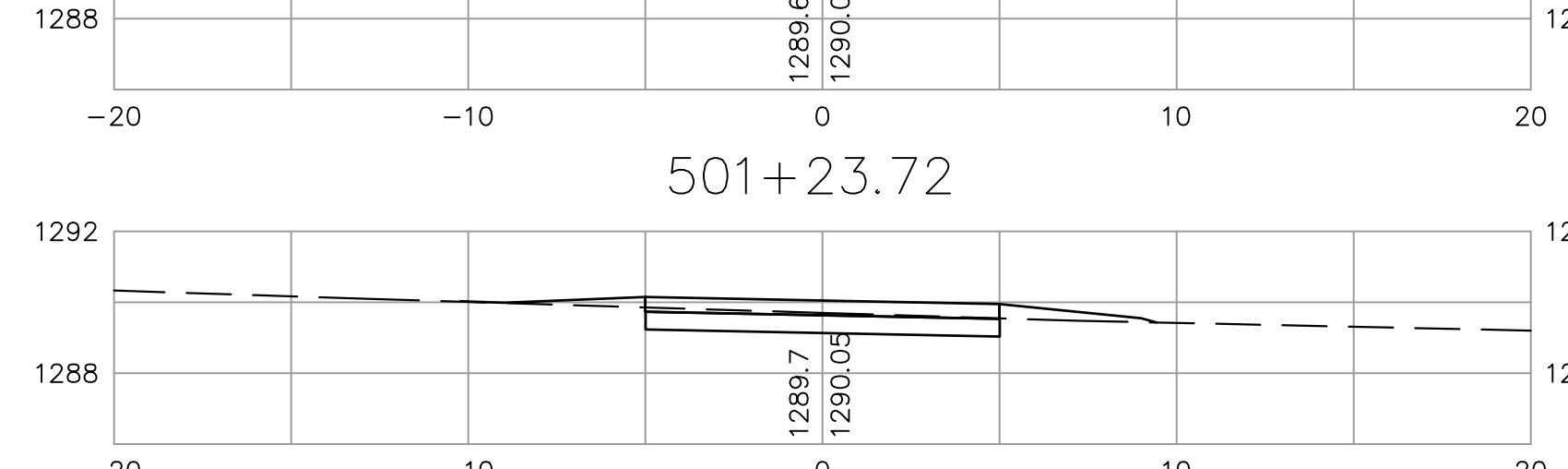
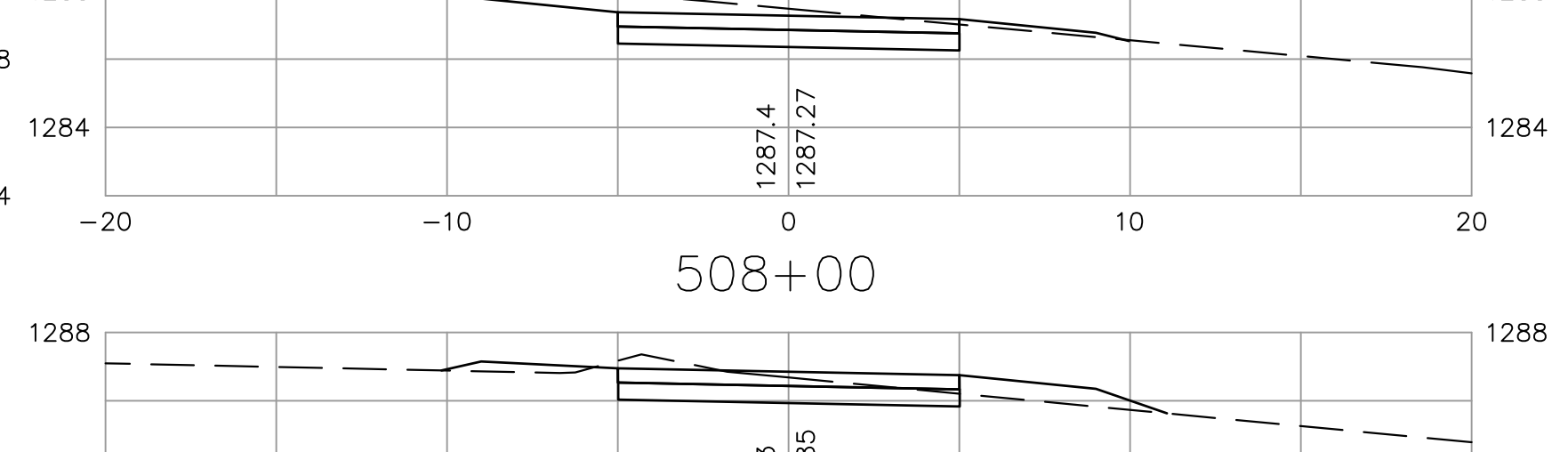
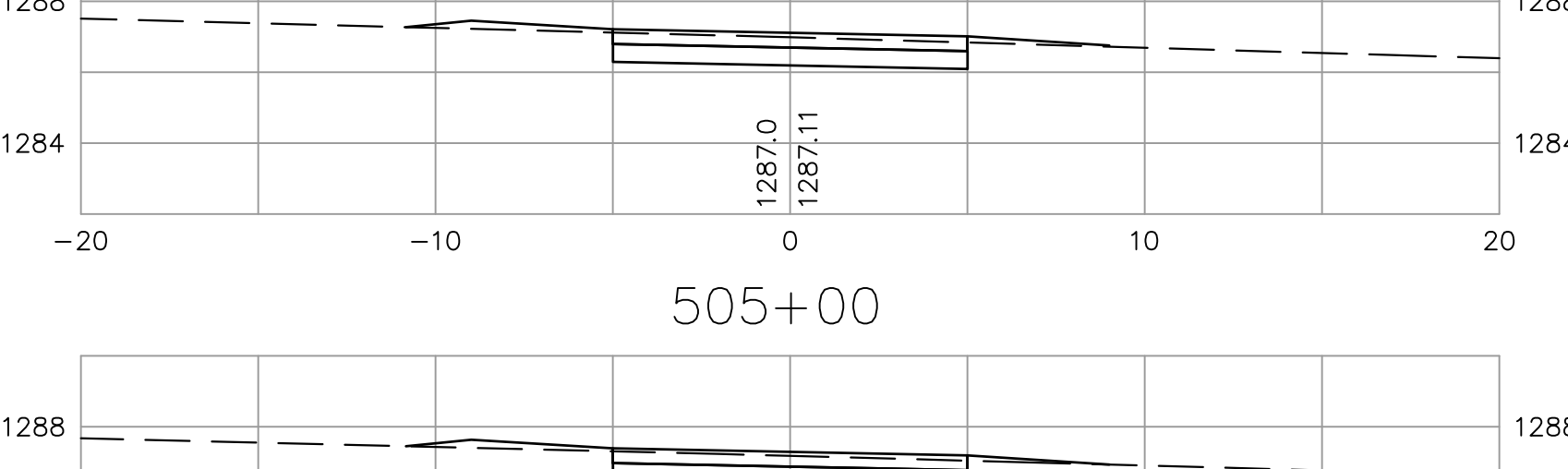
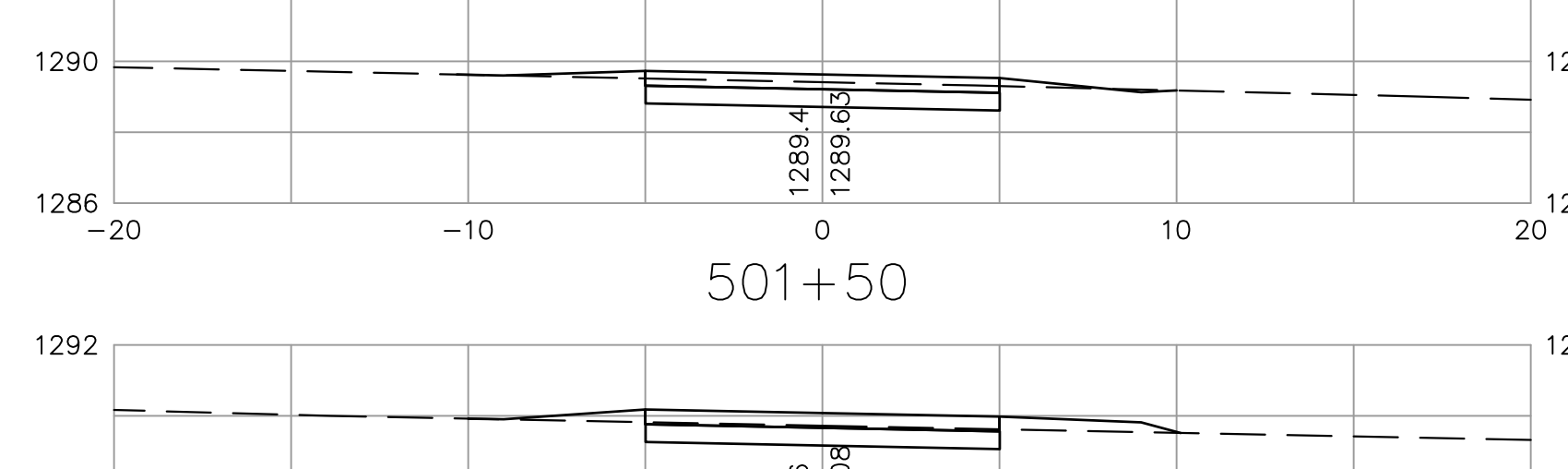
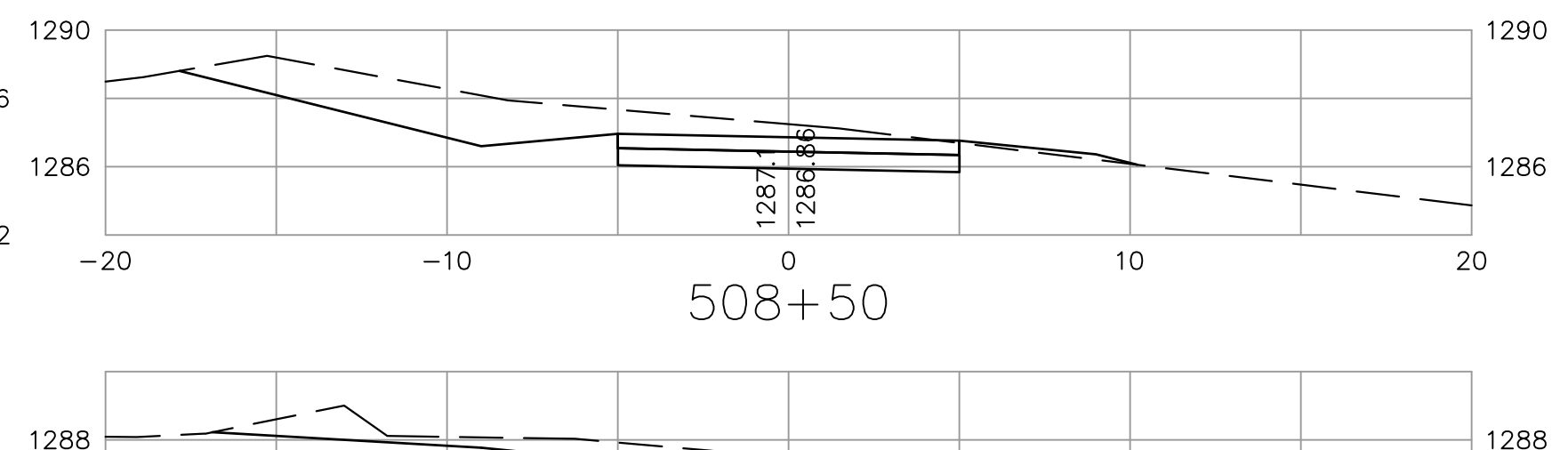
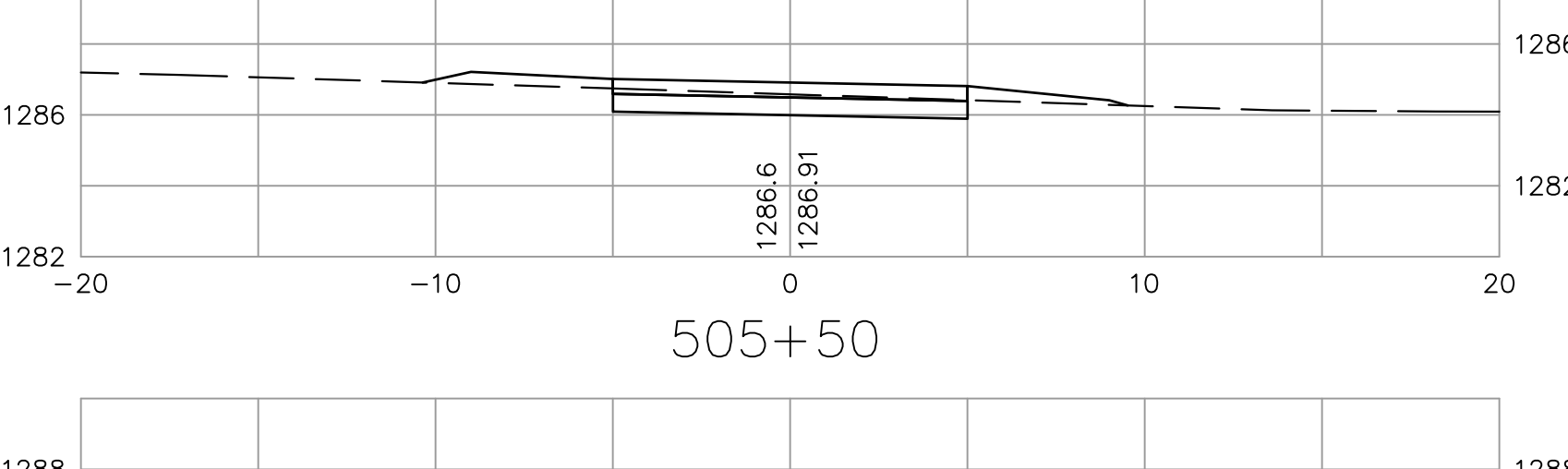
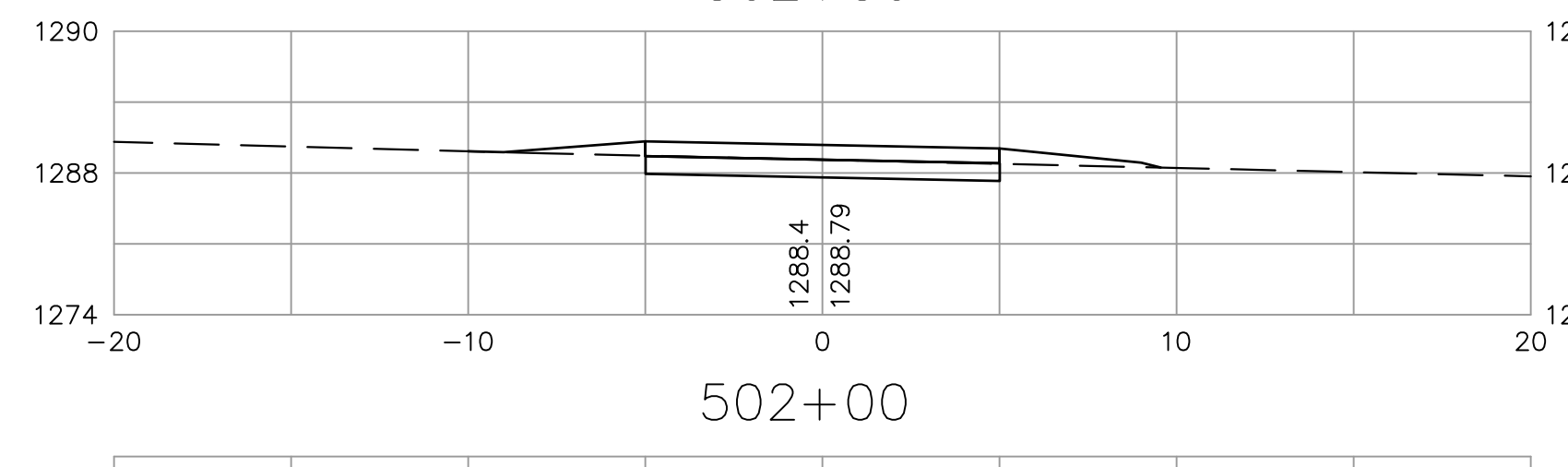
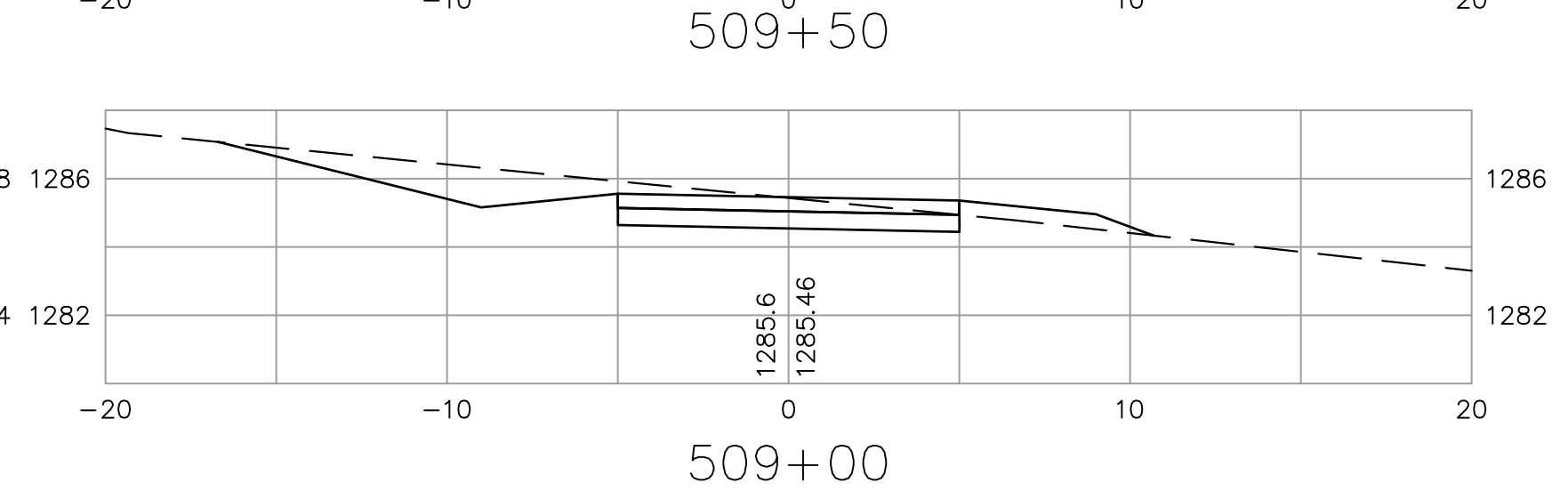
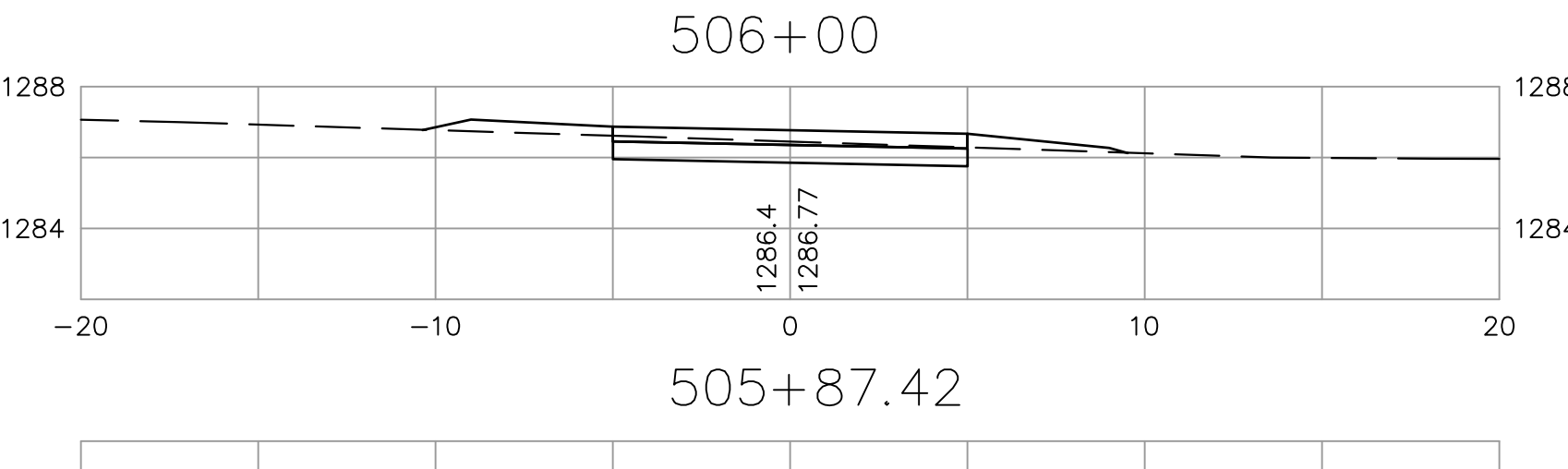
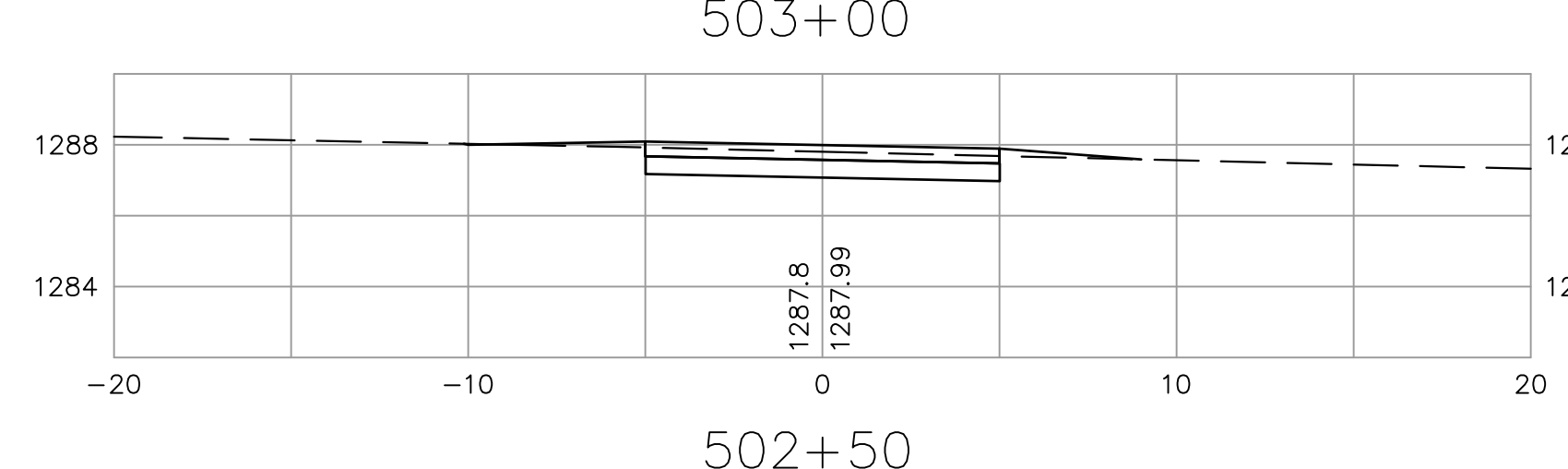
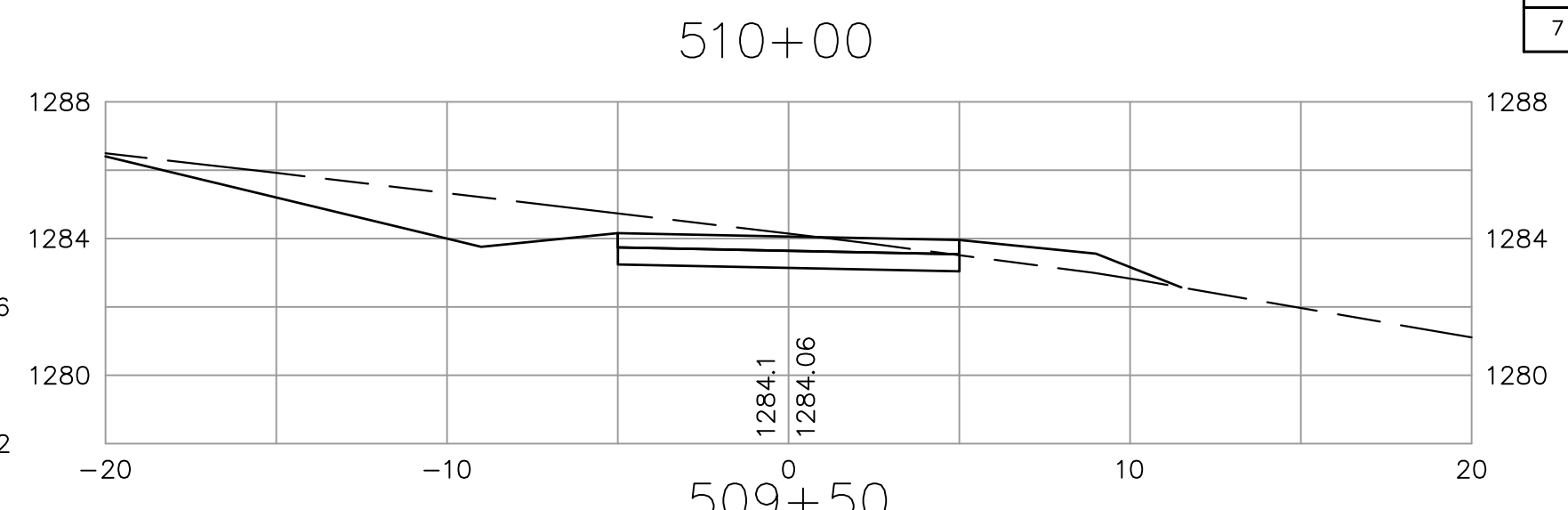
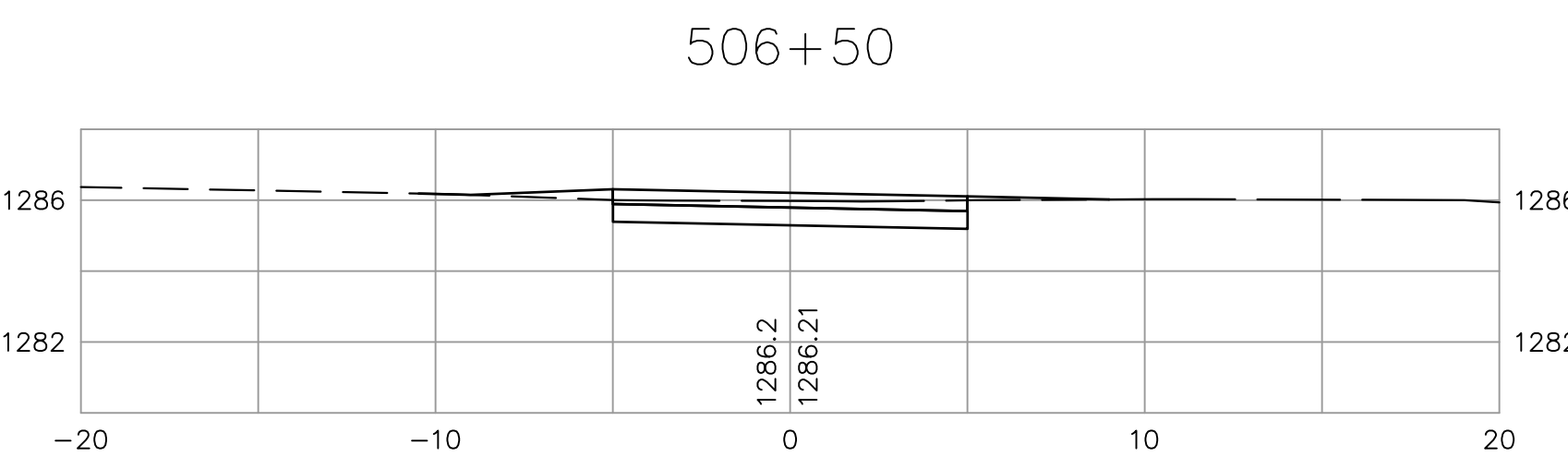
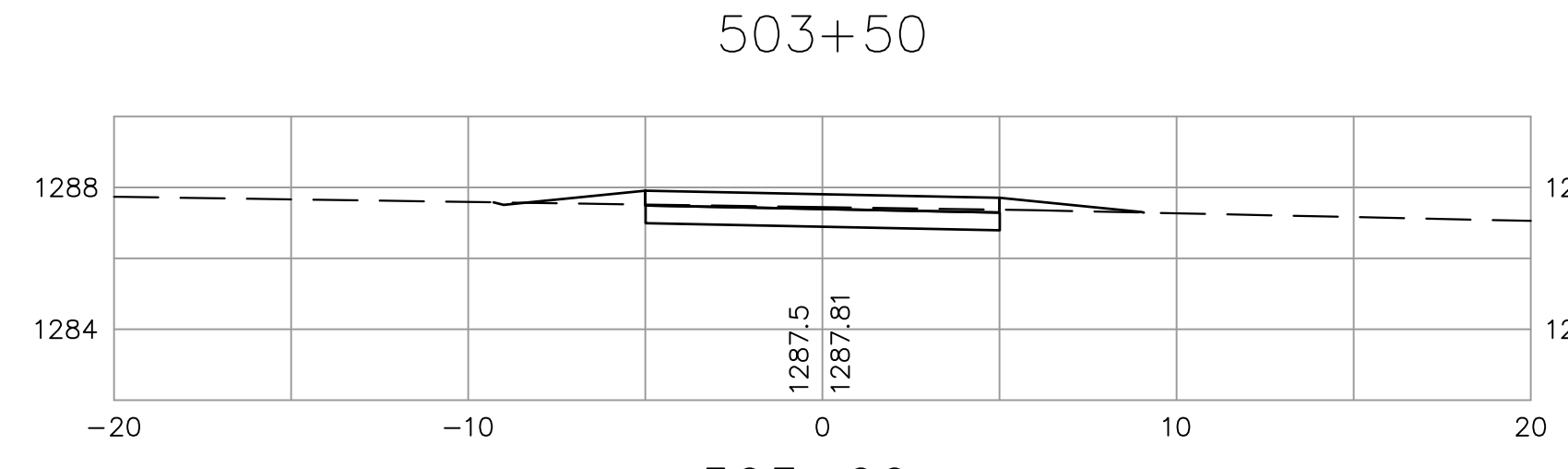



FHWA REG. NO.	STATE	PROJECT NO.:	YEAR	SHEET NUMBER	TOTAL SHEETS
7	KANSAS	0282-01	2011	83	112





316/284-0242
516 S. Market,
Wichita, KS 67202

City of Wichita Bike Path Expansion
501+00- 510+00
Wichita, Kansas

PROJECT NUMBER
472-84932

PROJECT NUMBER
OCA# 707030

KEM NO. 05168	FILE x section
DESIGN KM	DRAWN GP
DATE 08/2011	REVISED

SHEET
83
OF
112