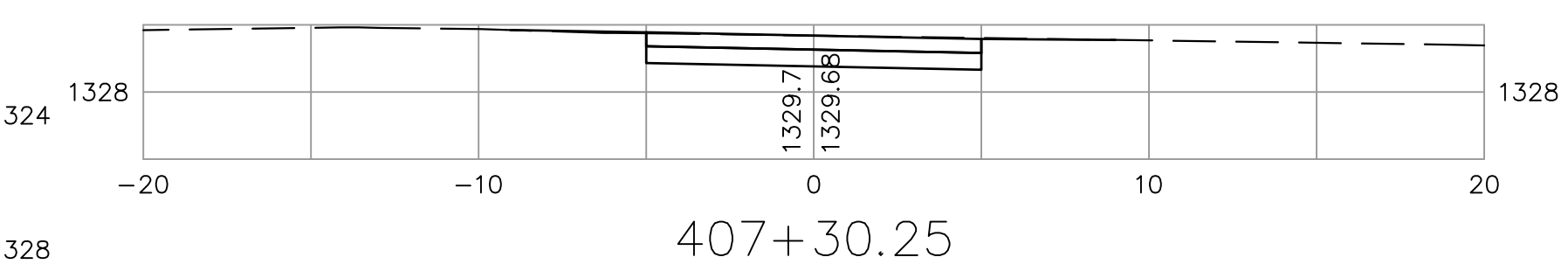
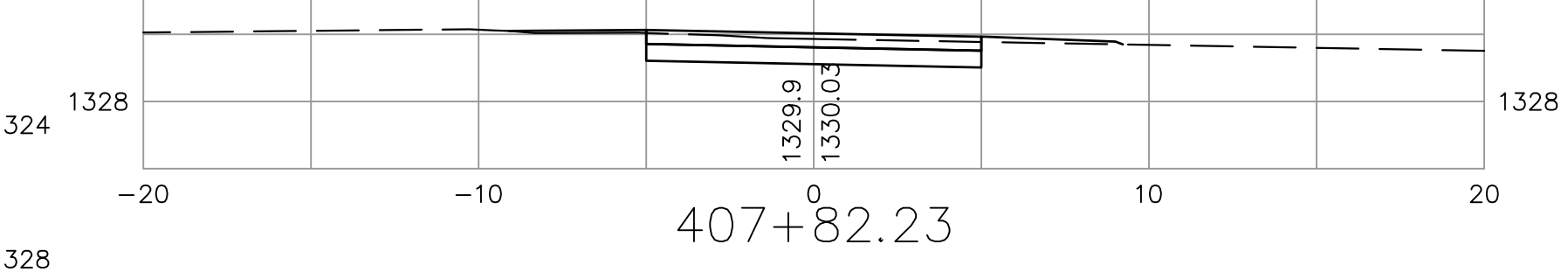
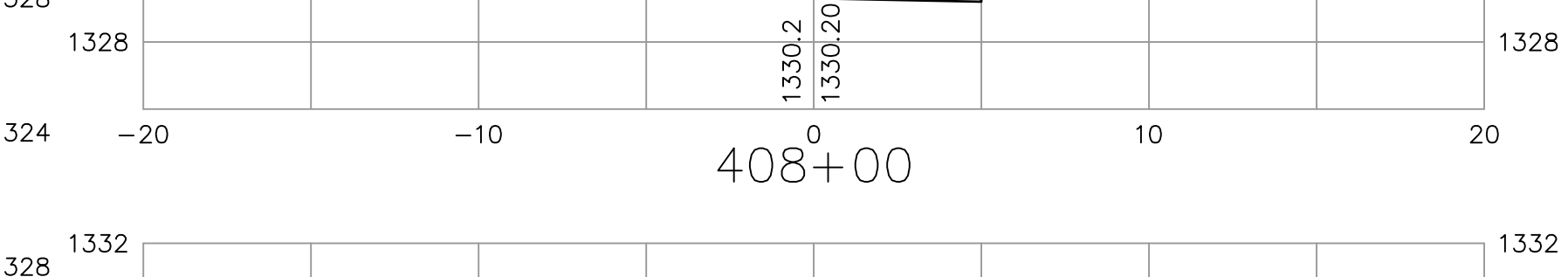
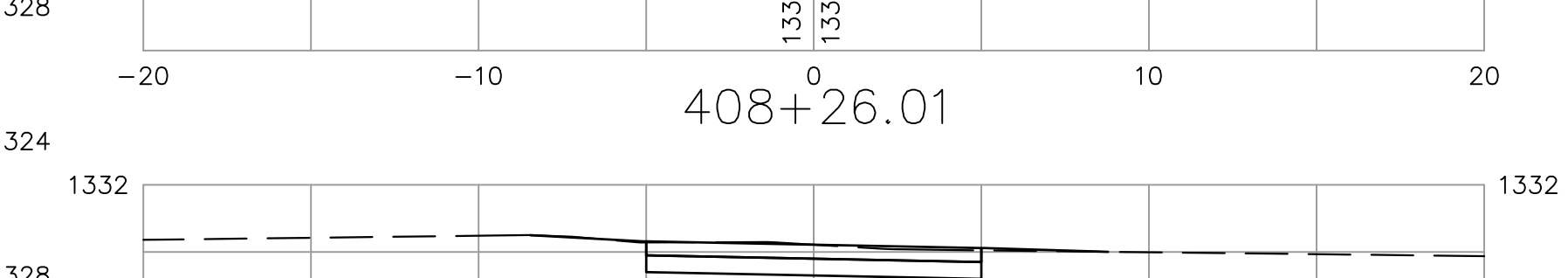
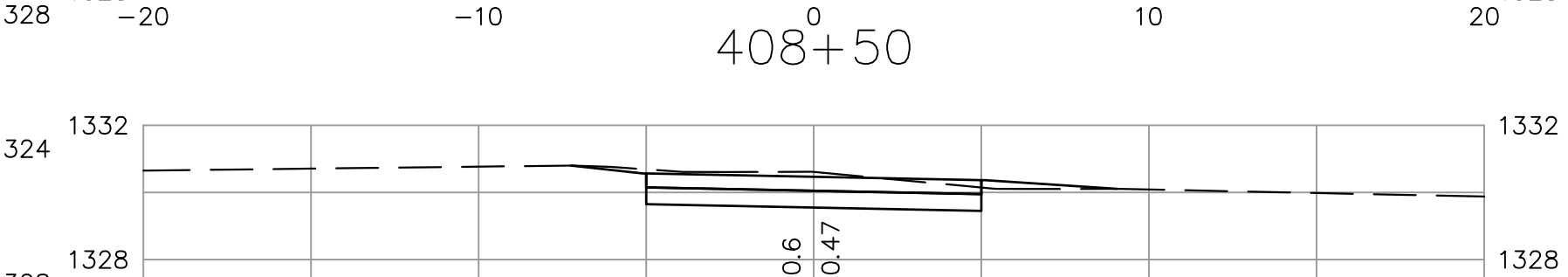
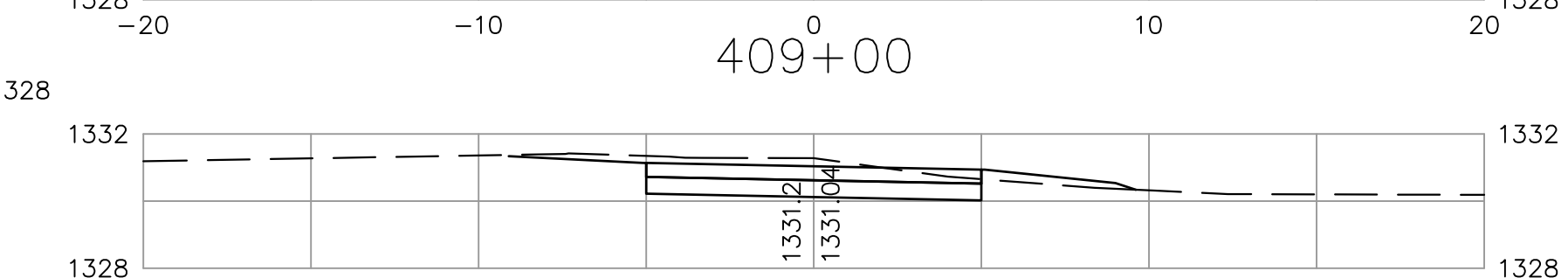
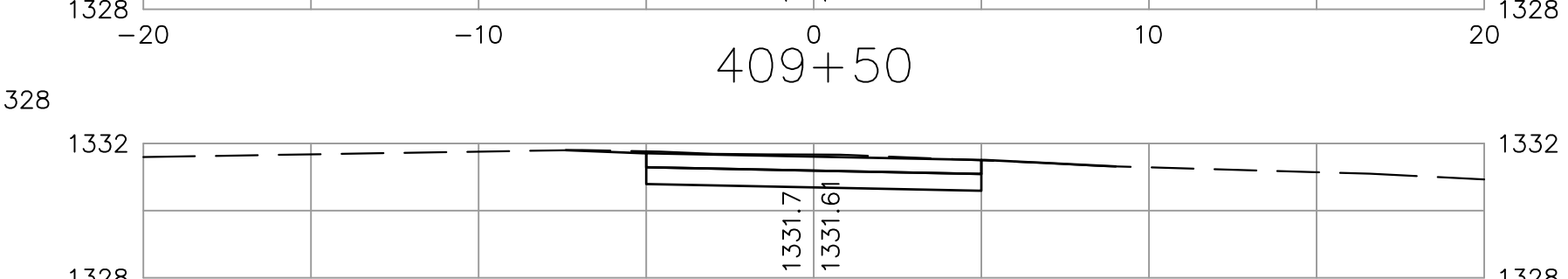
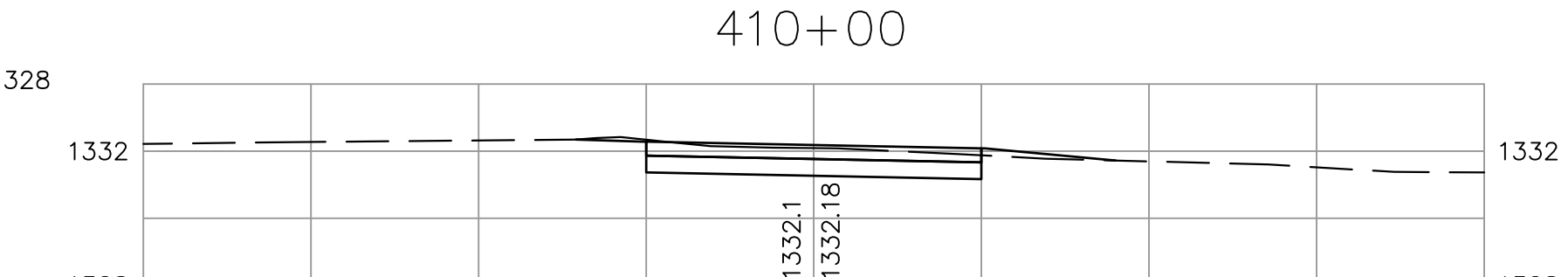
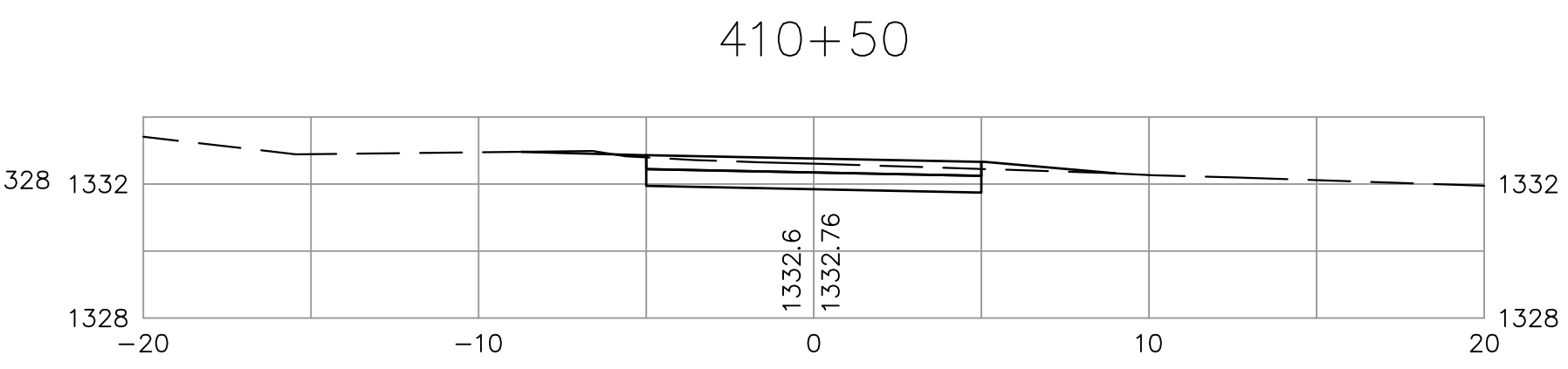
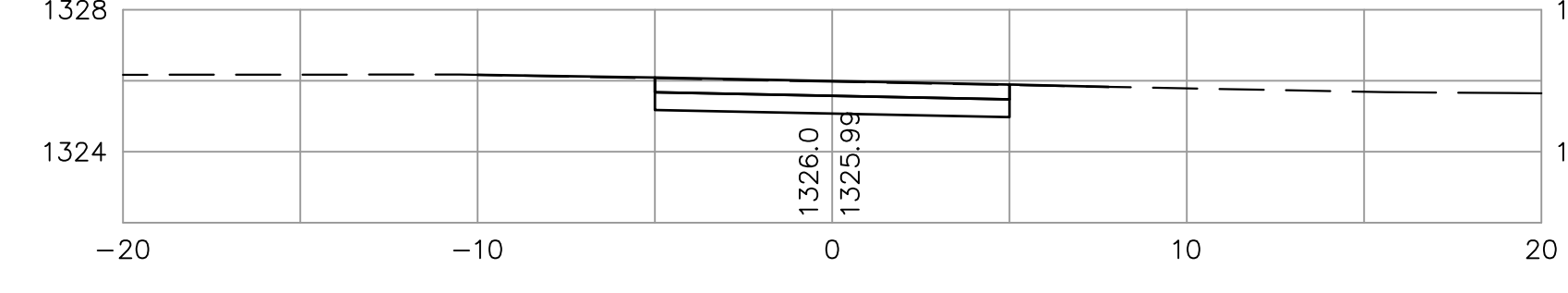
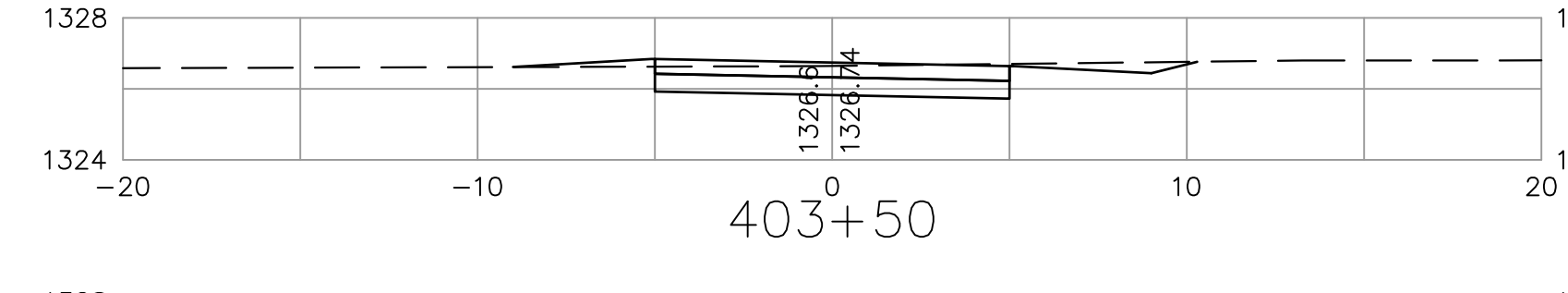
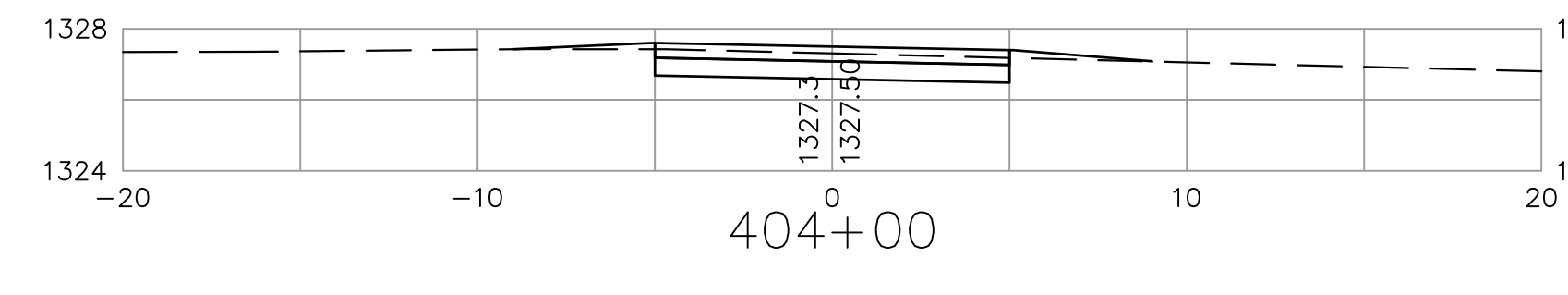
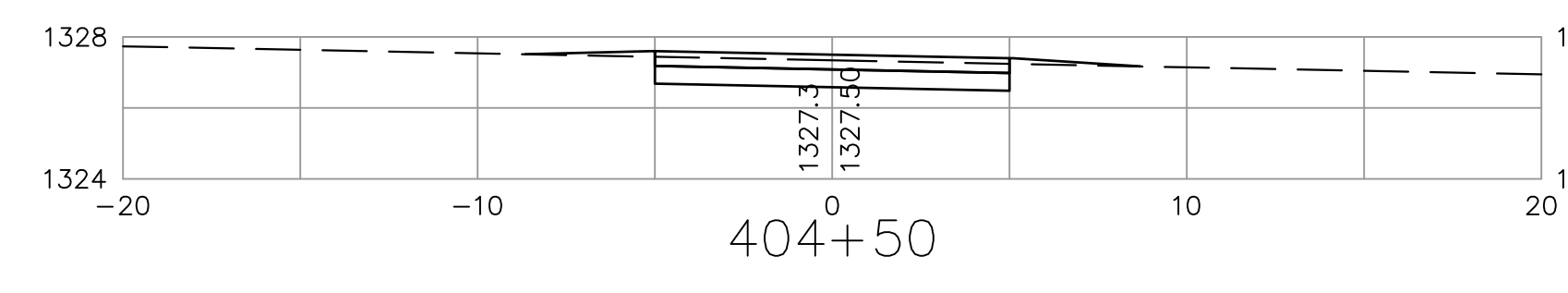
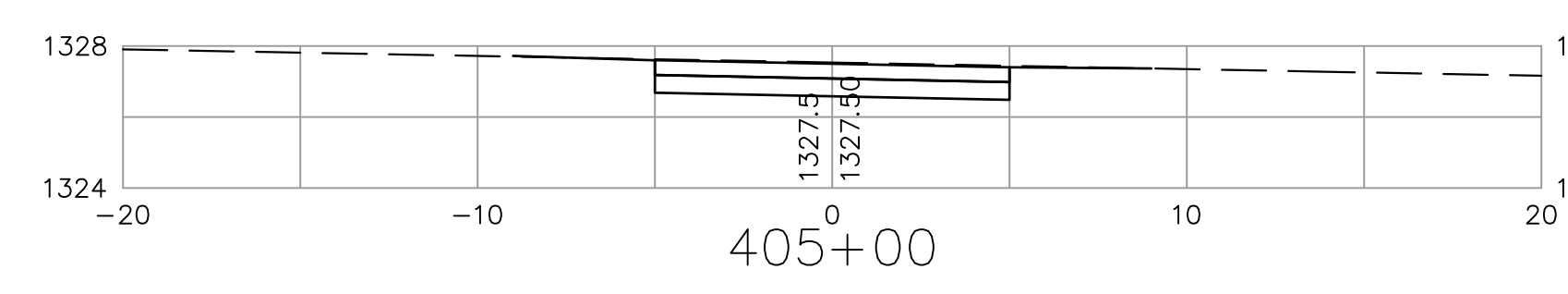
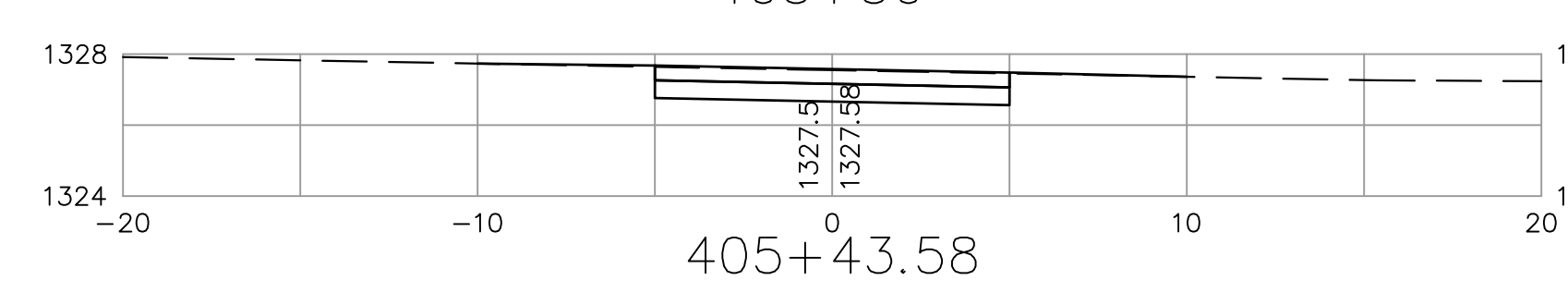
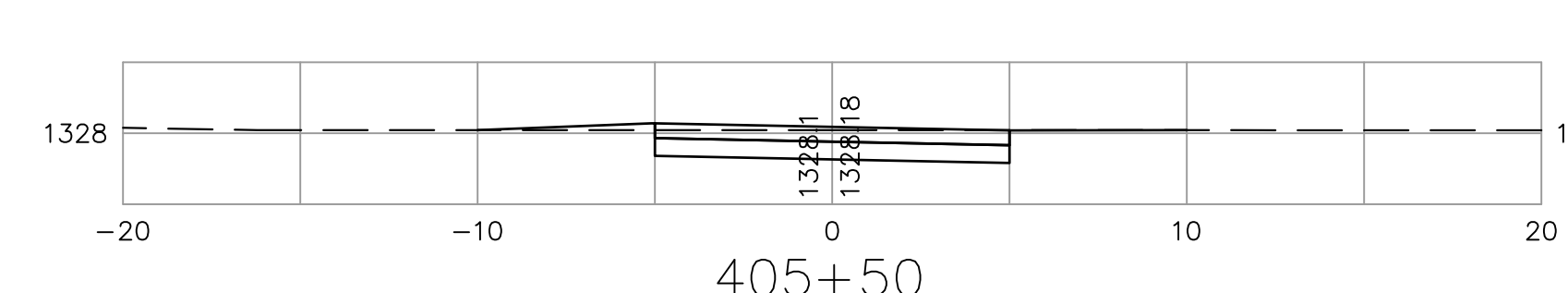
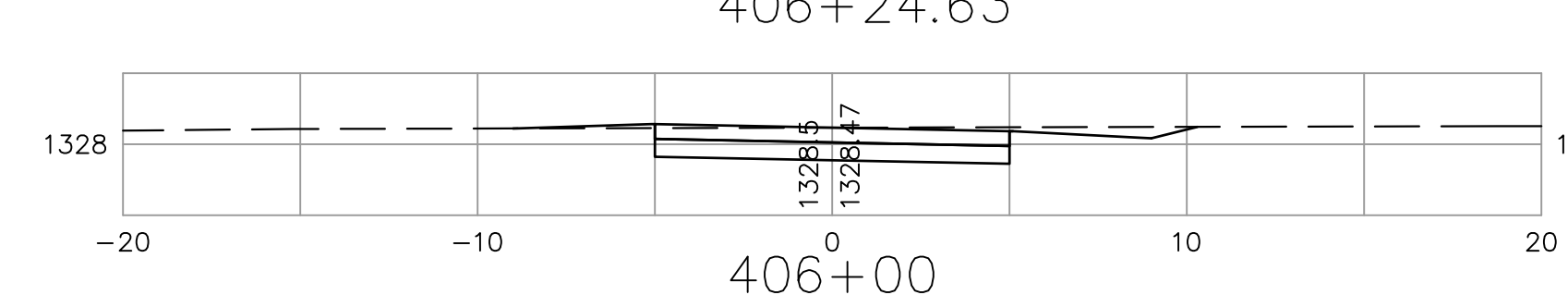
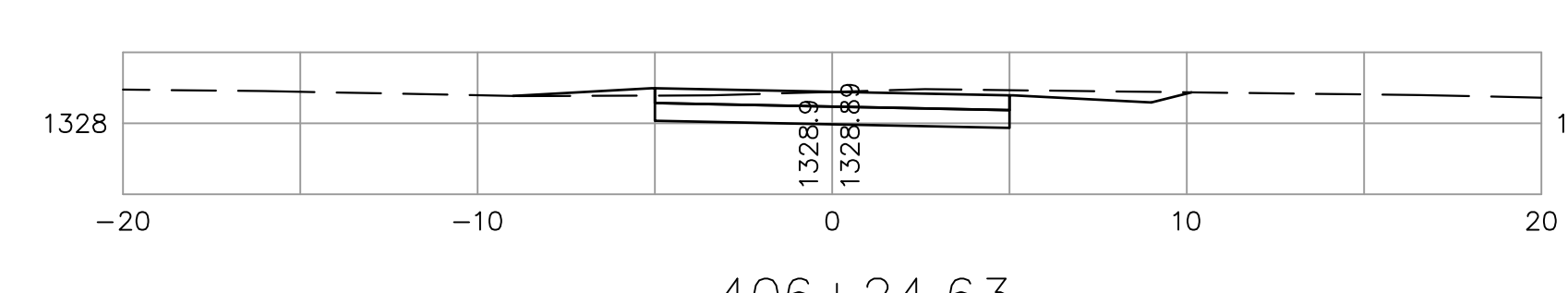
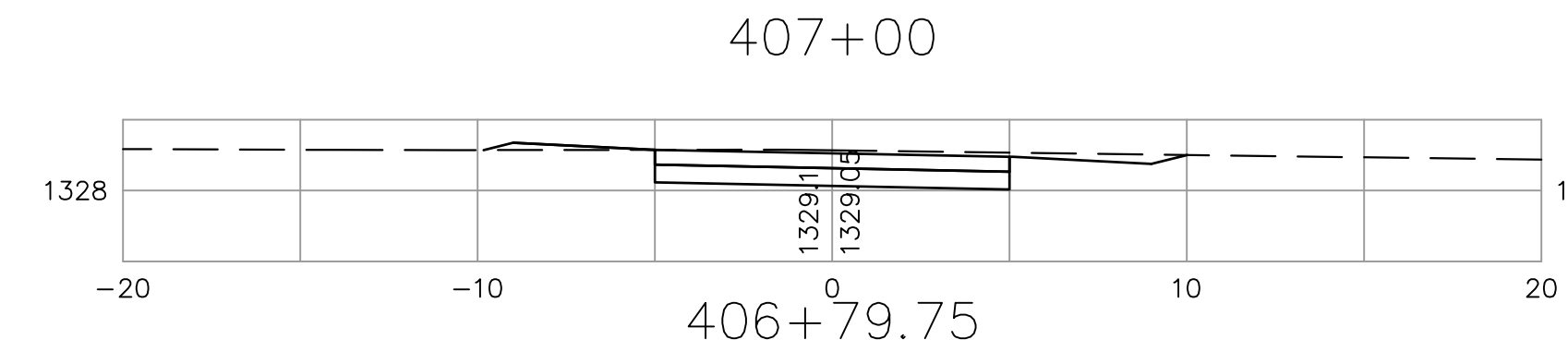
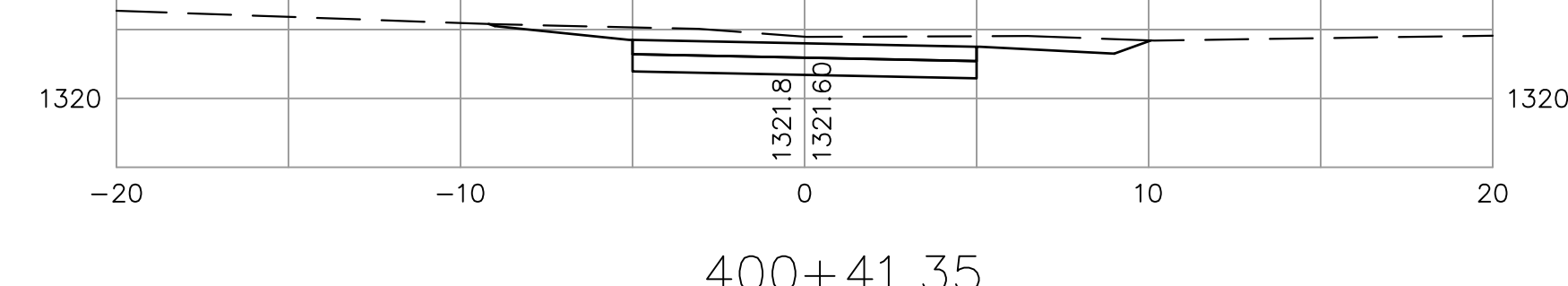
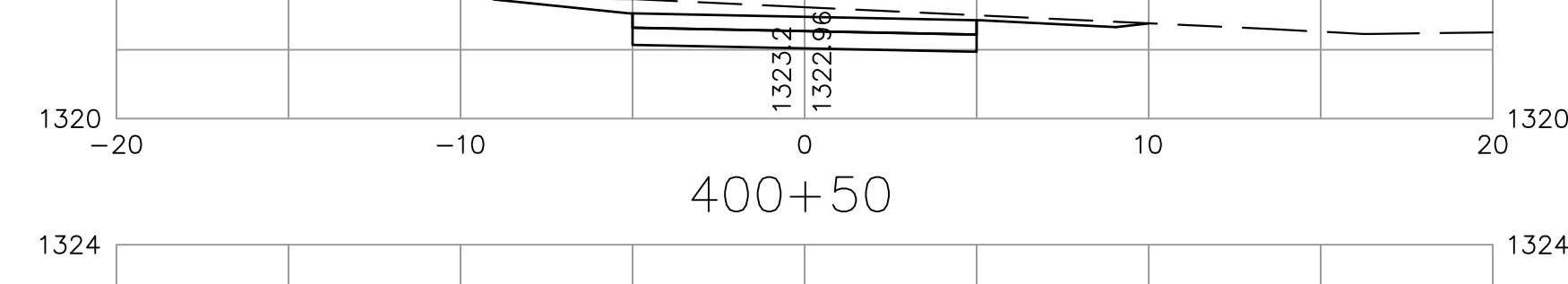
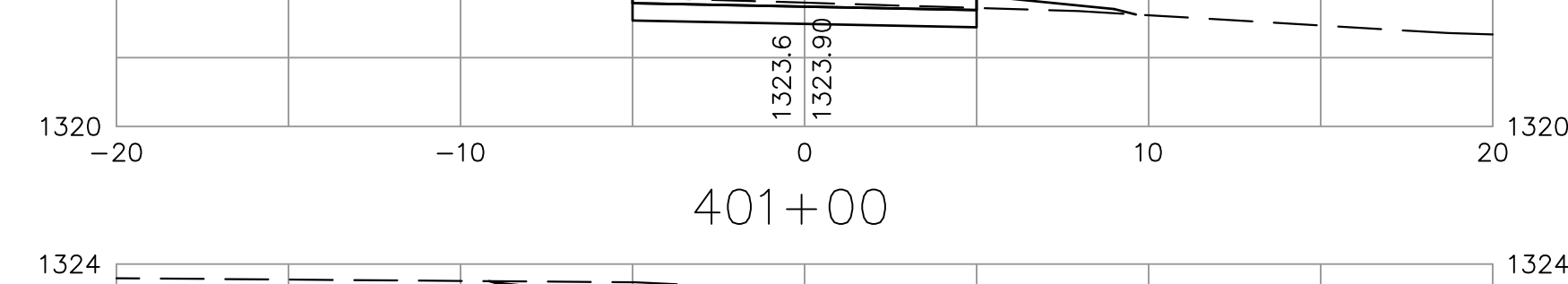
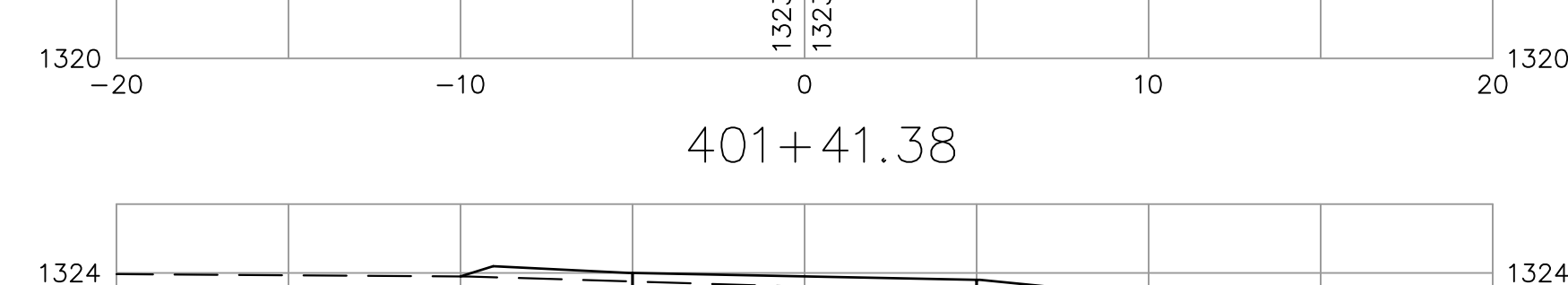
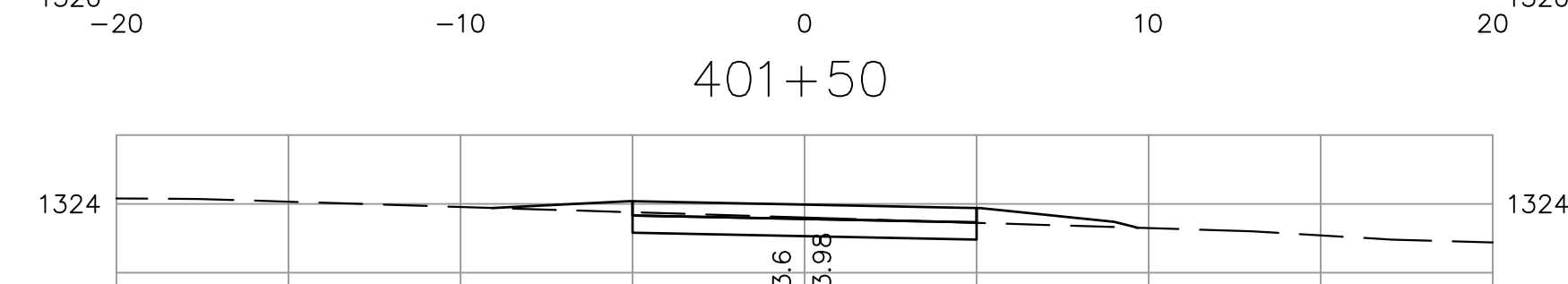
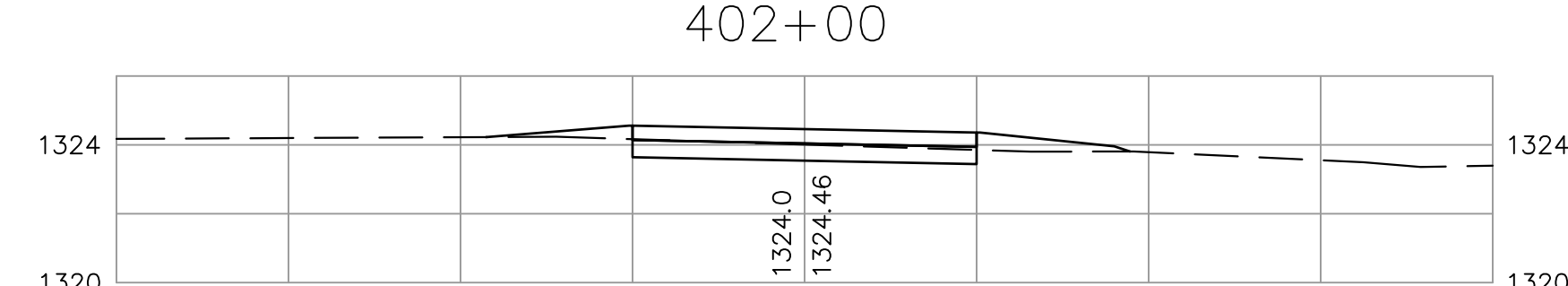
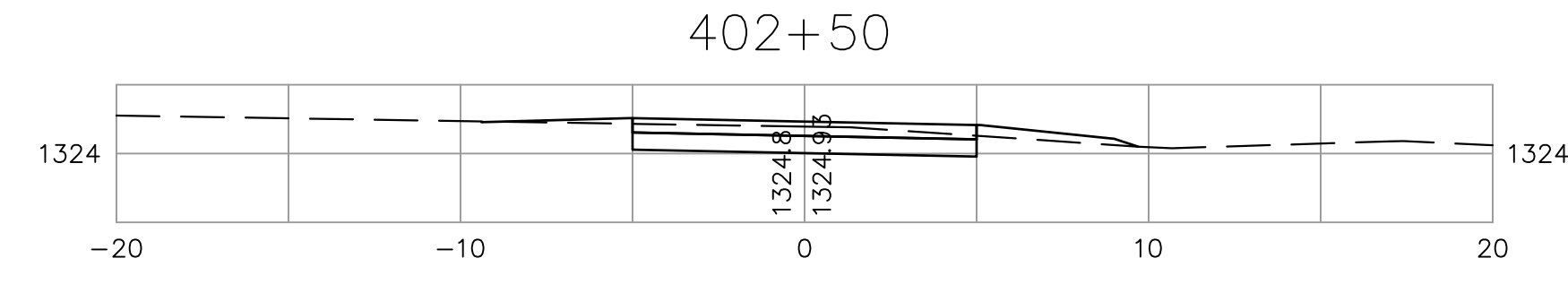
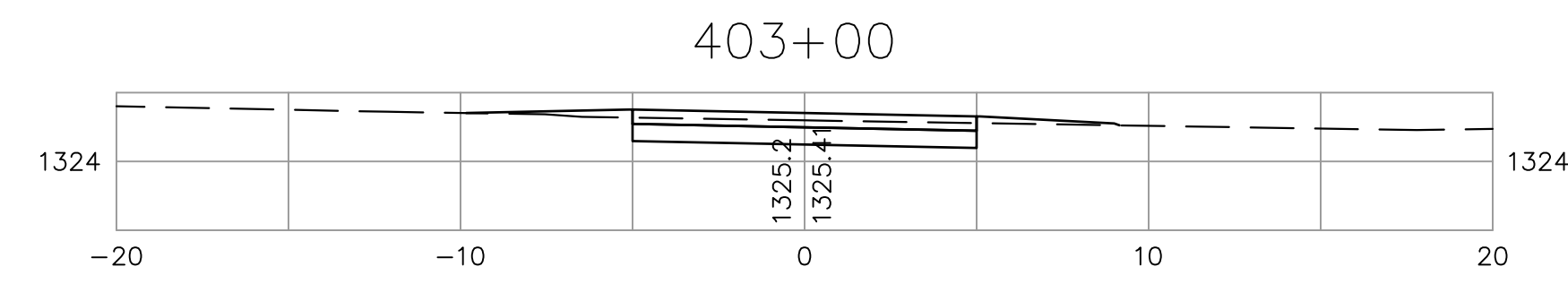
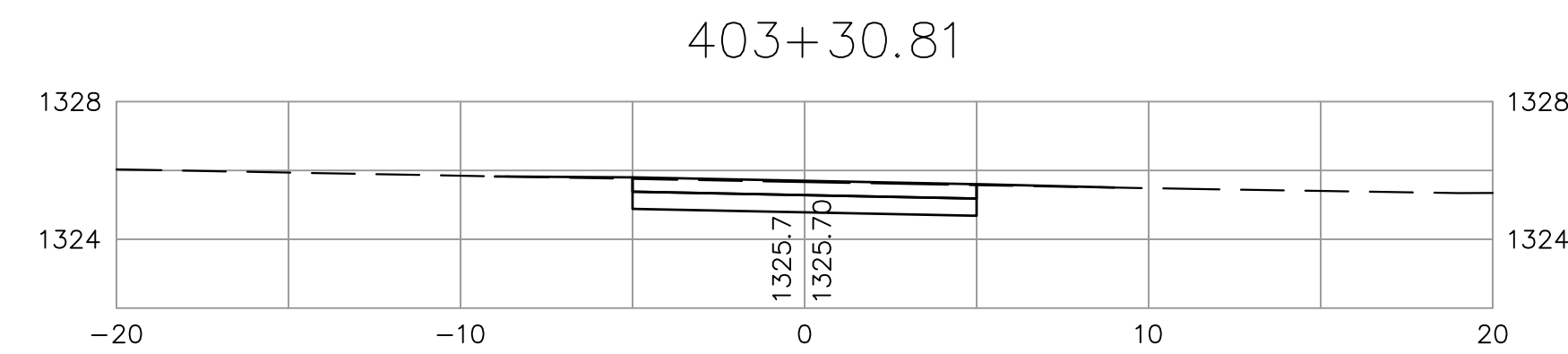


FHWA REG. NO.	STATE	PROJECT NO.:	YEAR	SHEET NUMBER	TOTAL SHEETS
7	KANSAS	0282-01	2011	95	112



City of Wichita Bike Path Expansion
400+00-410+50
 Wichita, Kansas
 PROJECT NUMBER
 472-84932 OCA# 707030

KEM NO. 05168	FILE x section
DESIGN KM	DRAWN GP
DATE 08/2011	REVISED
SHEET 95 of 112	