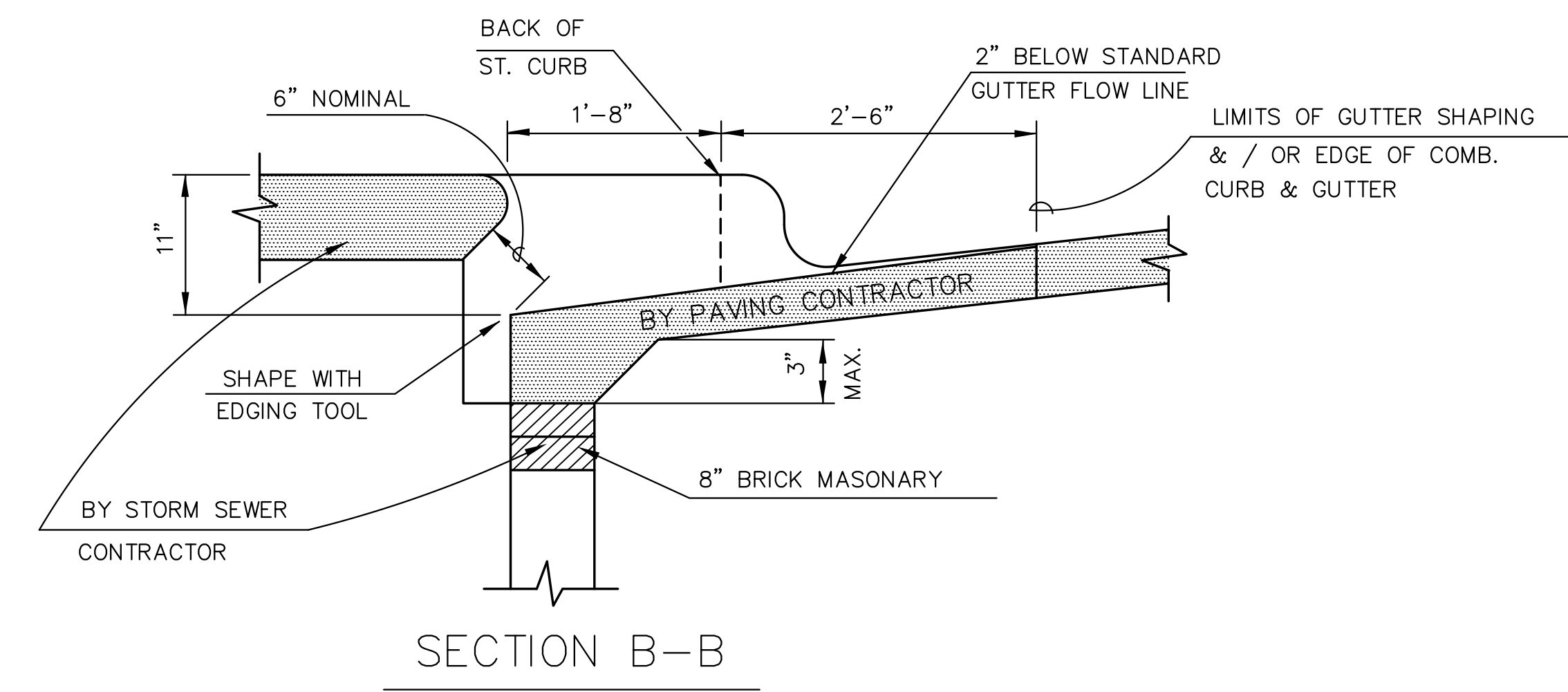
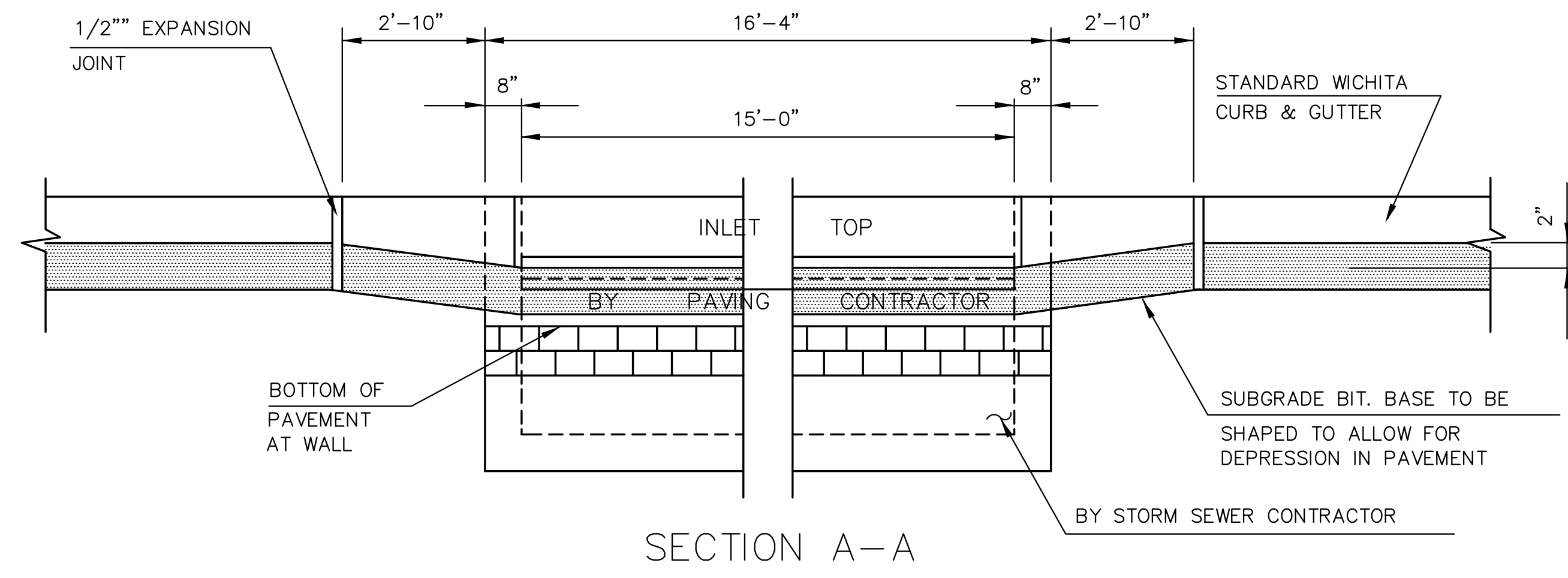


GENERAL NOTES

1. USE THE CONCRETE MIX SPECIFIED FOR CITY OF WICHITA CONCRETE PAVEMENT. ALL EXPOSED EDGES SHALL BE FINISHED WITH AN EDGING TOOL.
2. TYPE 1A INLET HOOKUP WILL BE PAID EACH REGARDLESS OF SIZE.
3. ADDITIONAL CURB & GUTTER CONSTRUCTION NECESSARY TO CONNECT SET BACK INLET TO PAVEMENT WILL BE PAID FOR AT THE UNIT PRICE BID FOR EACH INLET



TYPE 1A INLET HOOKUP
(BY PAVING CONTRACTOR)

PAVING PLANS
KRUG SOUTH ADDITION
PHASE 2

INLET HOOKUP DETAILS

SHEET TITLE
PROJ 472-84522
PROJECT NUMBER

DFL / KKL / GJA
DESIGNED / DRAWN / CHECKED

ISSUED
April 2012
REVISED

SHEET NO.
8 of 28