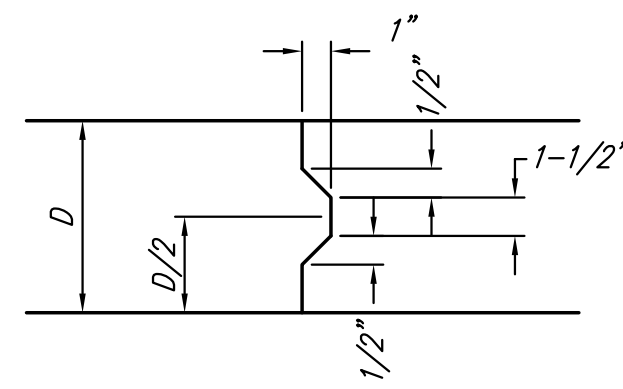
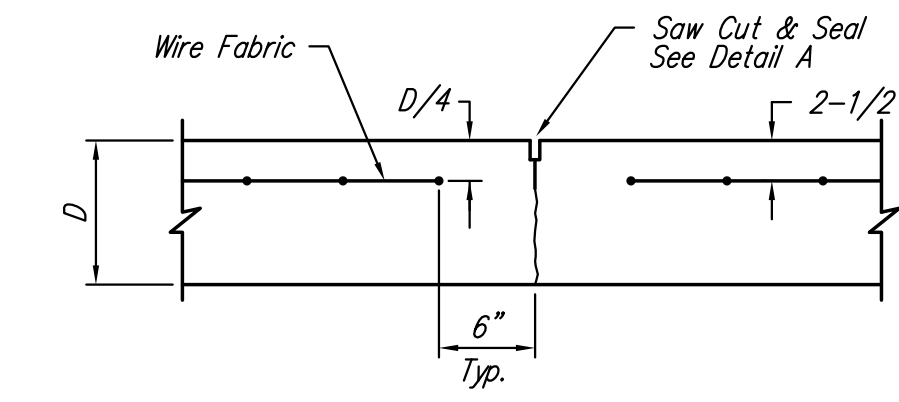


EXPANSION JOINT

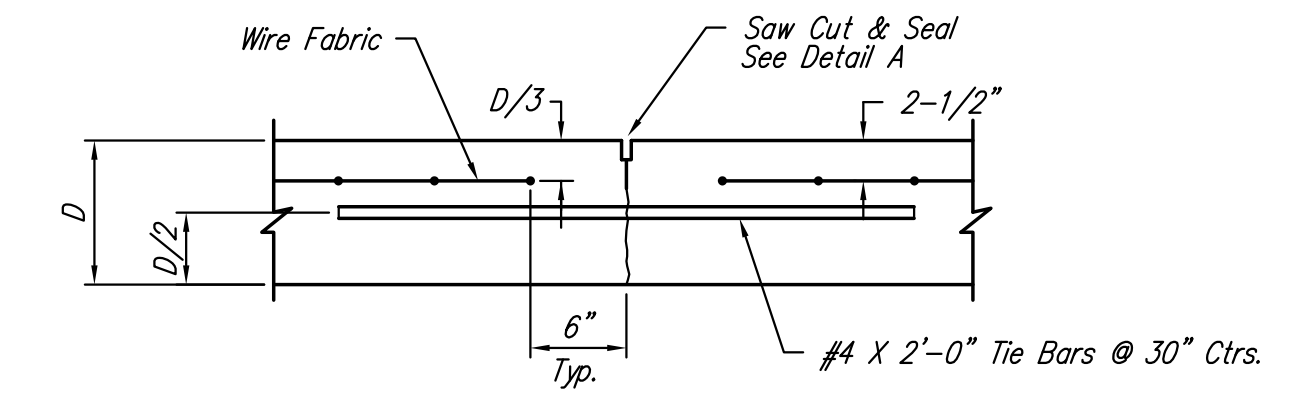
NOTE: Extra Thickness to be Subsidiary to Price of Square Yards Pavement



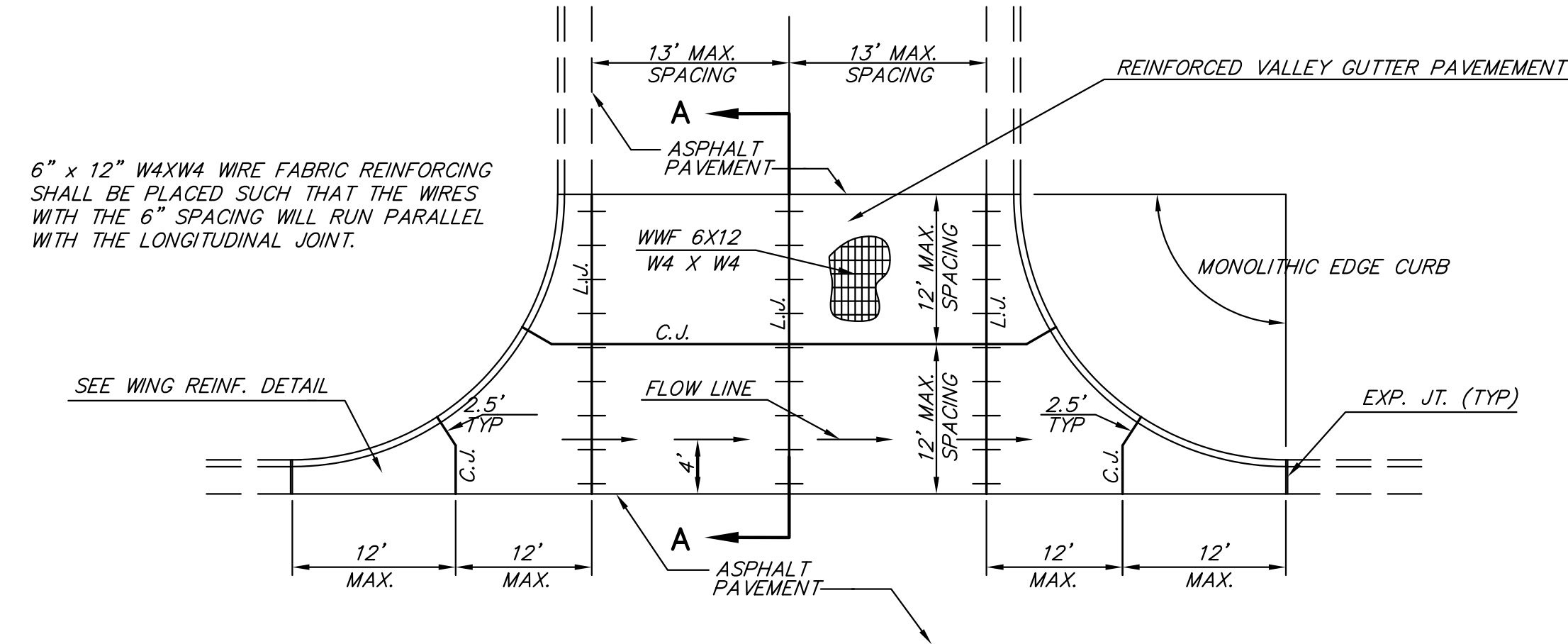
KEYWAY DETAIL



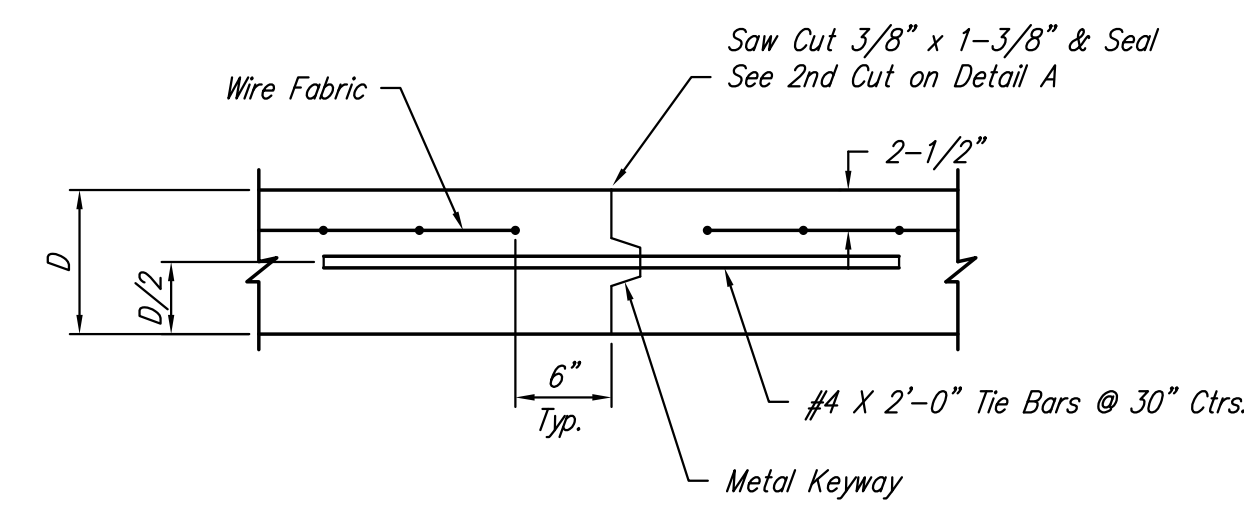
CONTRACTION JOINT DETAIL (C.J.)



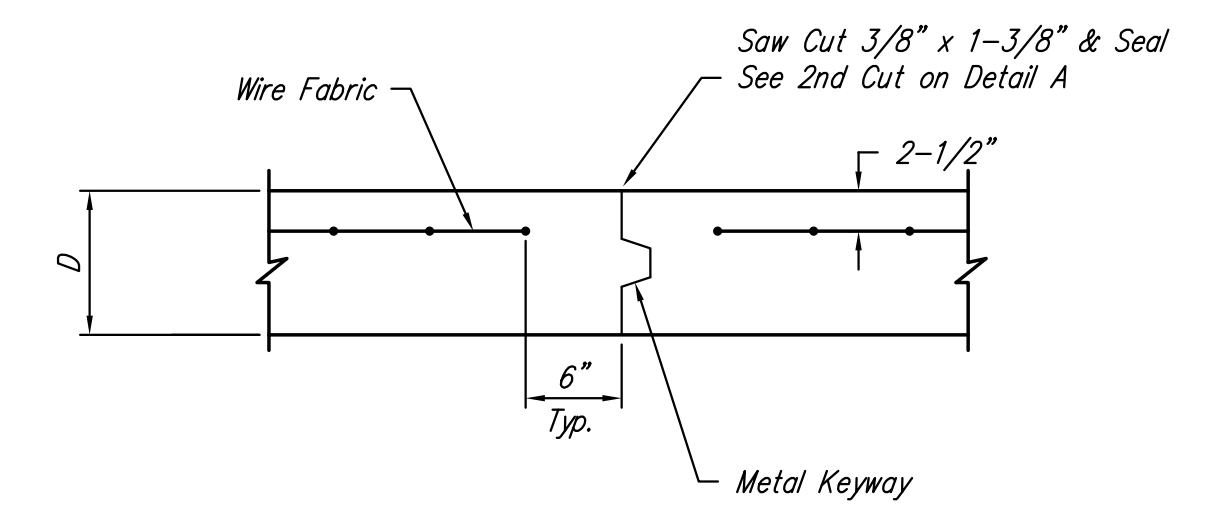
LONGITUDINAL JOINT DETAIL (L.J.)



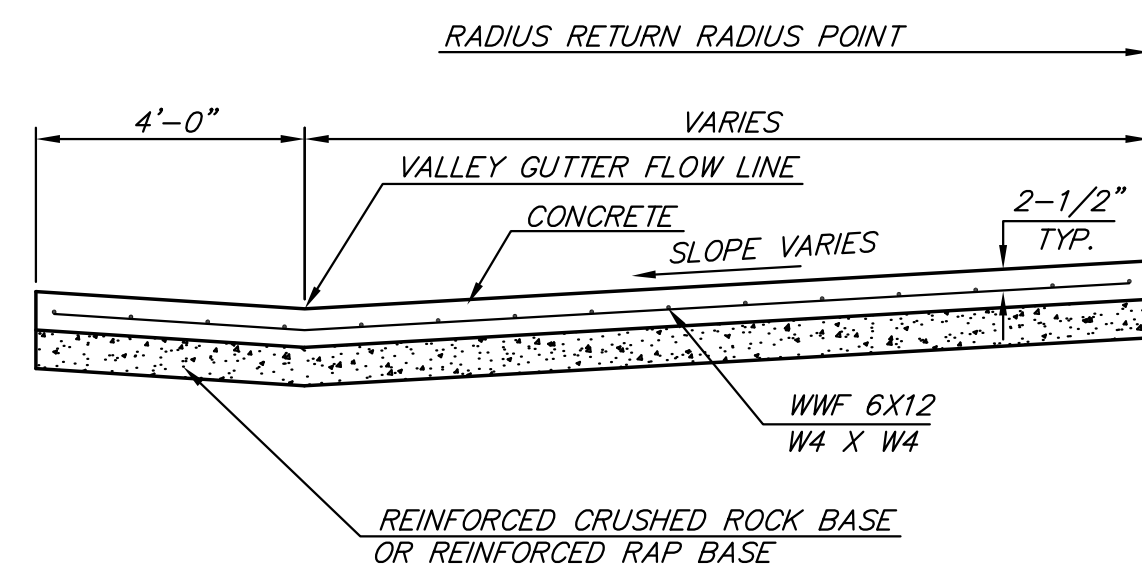
PLAN



OPTIONAL CONTRACTION JOINT

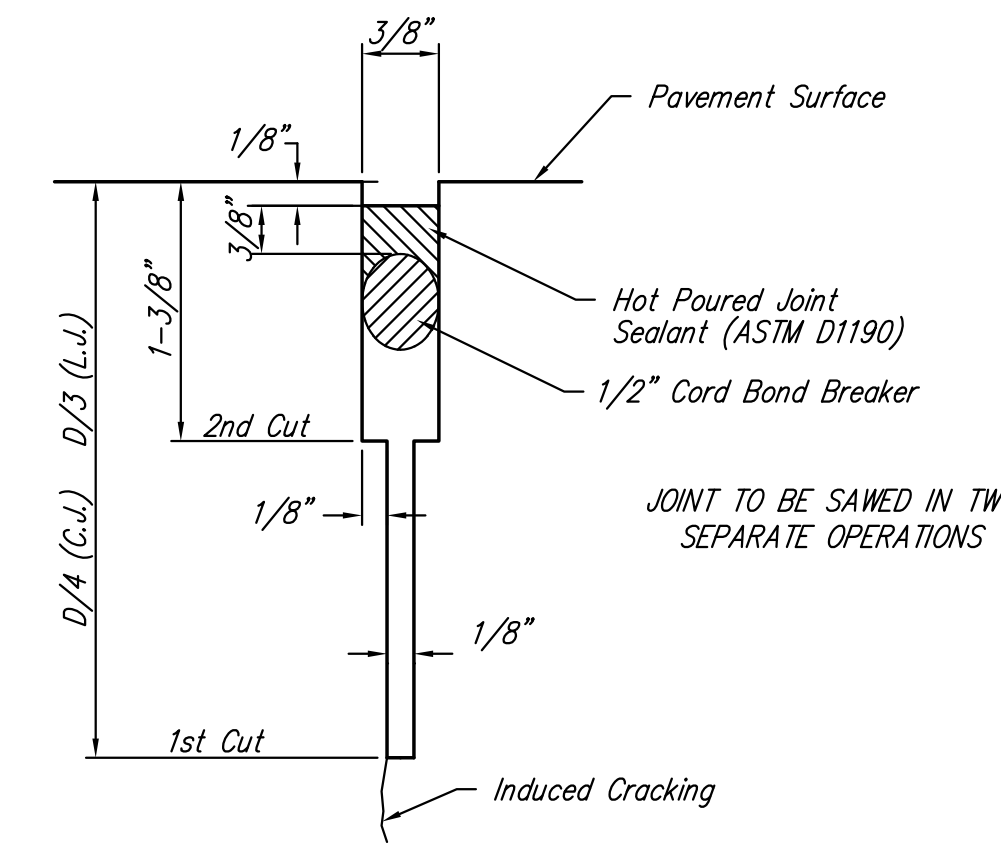


OPTIONAL LONGITUDINAL JOINT DETAIL (L.J.)

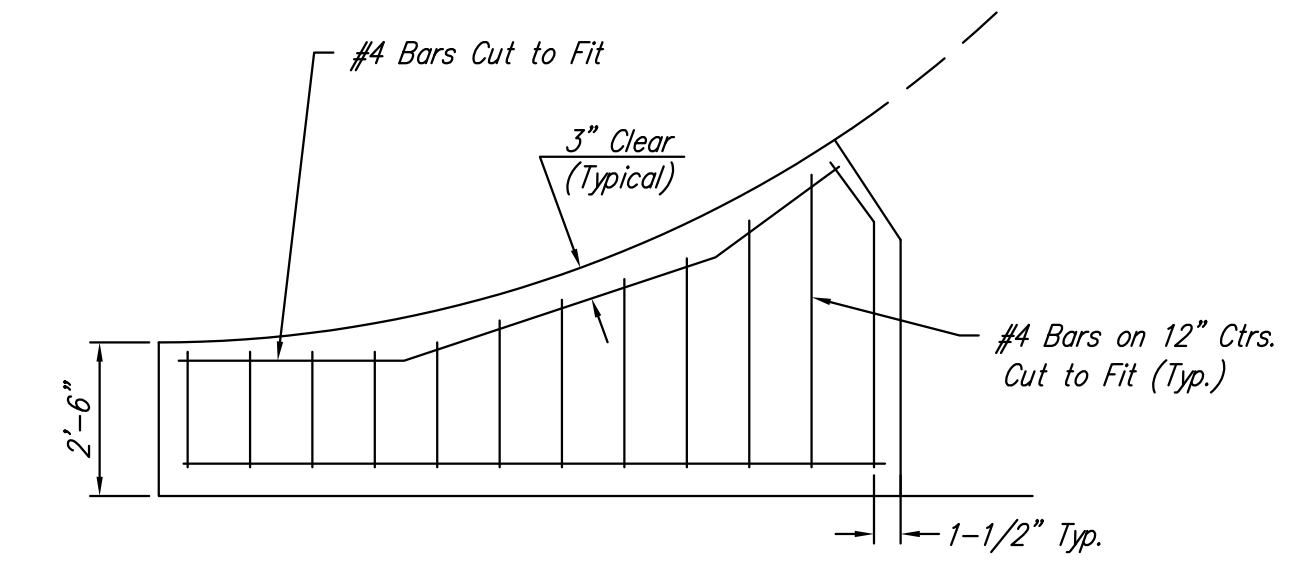


SECTION A-A

REINFORCED VALLEY GUTTER DETAIL



SAW JOINT DETAIL



WING REINFORCING DETAIL

<p>THE CITY OF WICHITA</p> <p>CITY ENGINEER'S OFFICE CITY HALL - SEVENTH FLOOR 455 NORTH MAIN STREET WICHITA, KANSAS 67202 (316) 268-4501 (316) 268-4114 FAX</p>	VALLEY GUTTER DETAILS	
	JAMES L. ARMOUR, P.E. - CITY ENGINEER	
	PROJECT NUMBER 472-85016	OCA NUMBER 766277
	DATE May 12	Sheet 3 of 11

J:\PROJECTS\2011\101010067_FROCKWOOD_PLAZA\5-CIVIL\CAD\PAV\11067_LED2.DWG