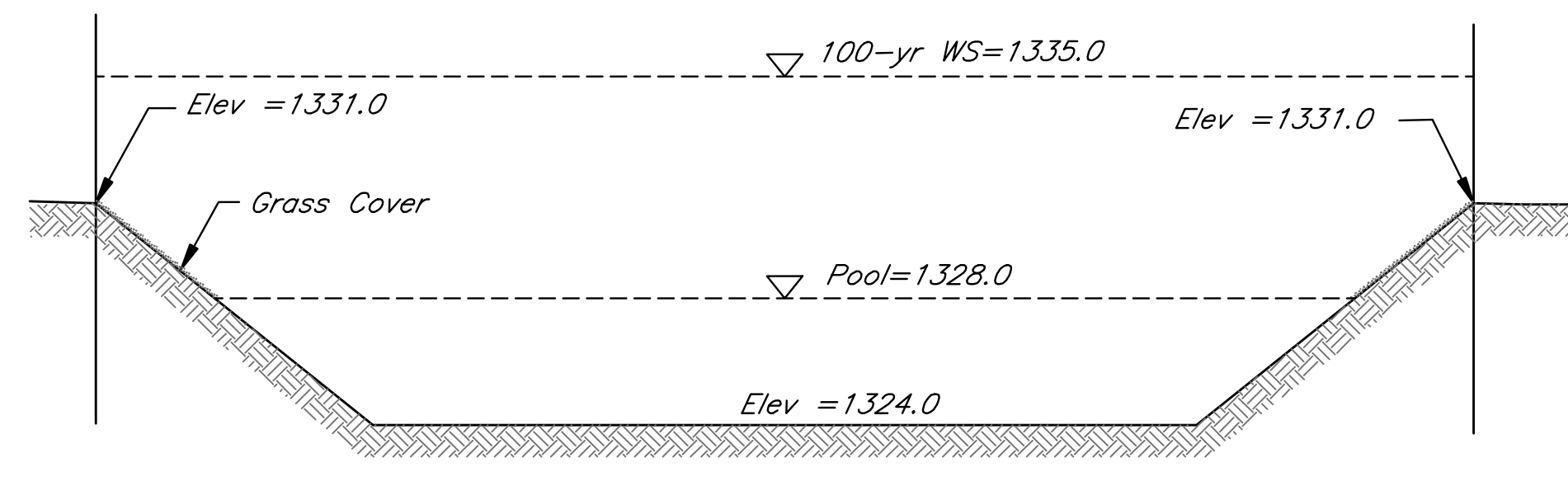
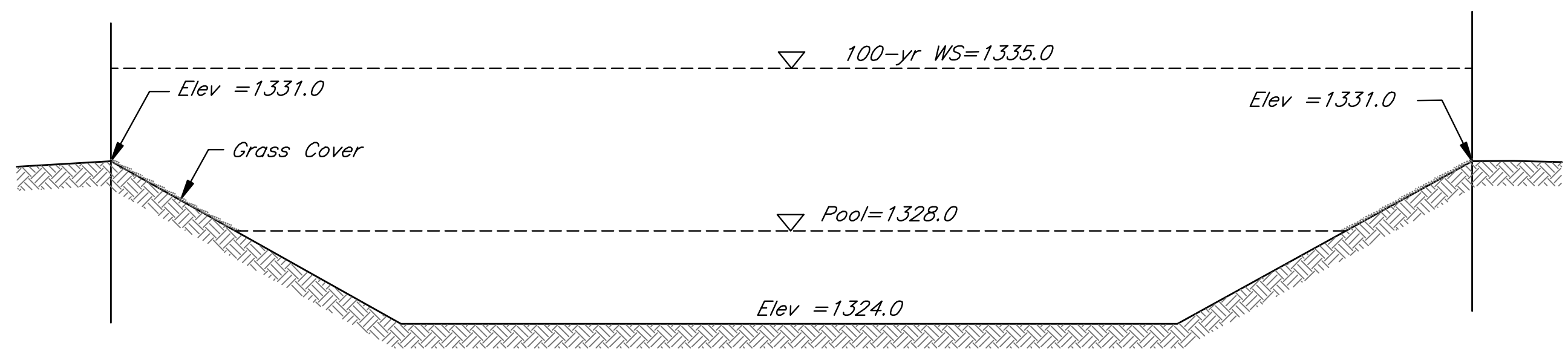


Construct 2'x2'  
4" concrete slab  
@ elev=1328.0

~~10' Long Weir Structure  
See Detail  
Install Approx. 10.0 SY  
of Light Stone Rip-Rap~~

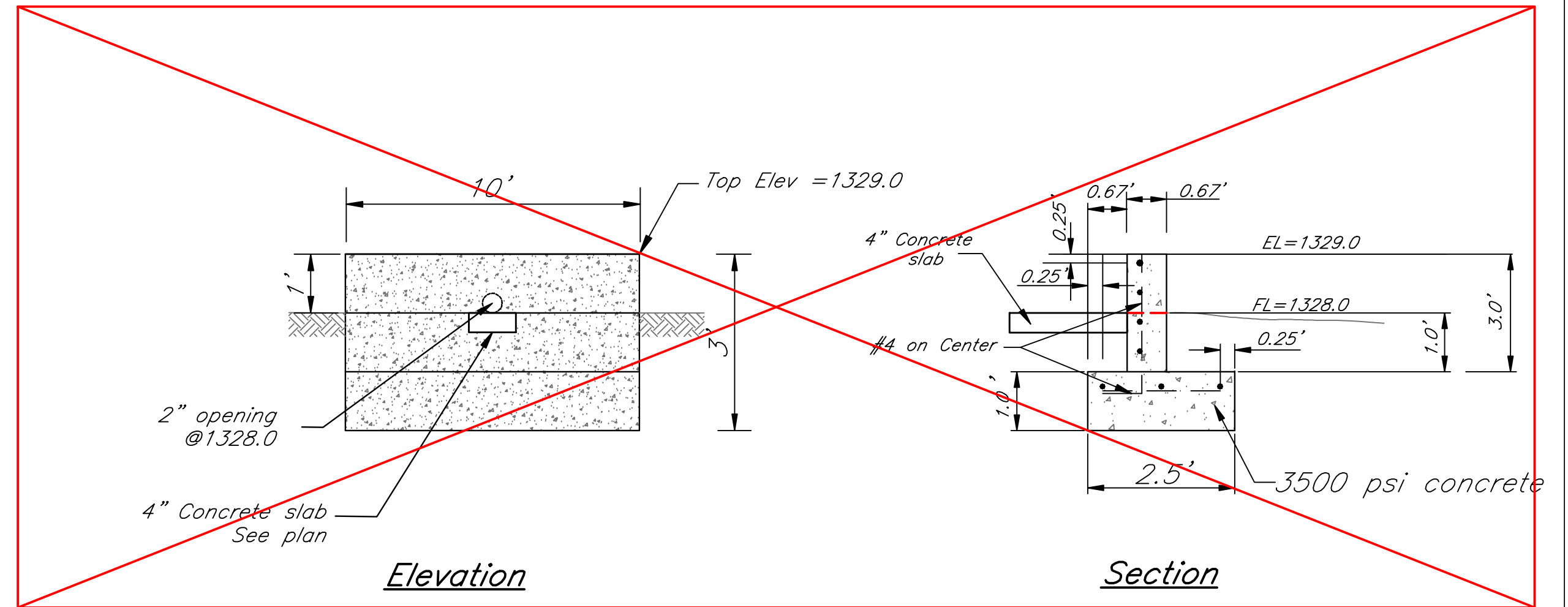


Section A-A



Section B-B

Storage Pond

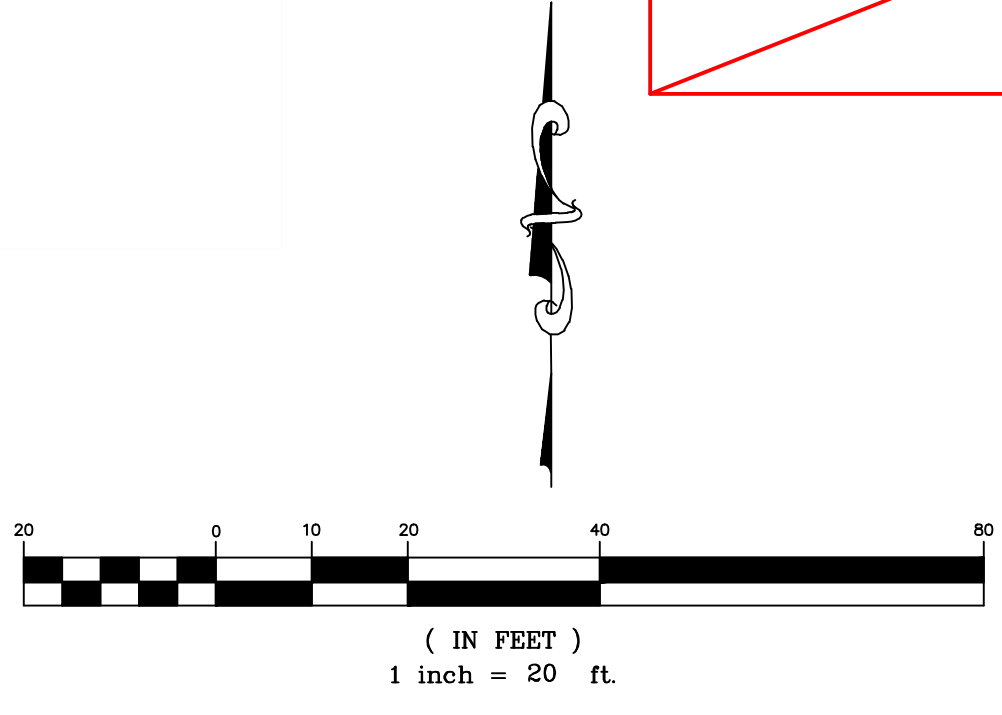


Elevation

Section

Concrete Weir Detail  
(Not to Scale)

Benchmark:  
Top of nail in center of Cul-de-Sac of  
Firefly Circle as platted in Whistling Walk  
Estates 4th Addition, Sedgwick County,  
Kansas.  
Elev. = 1336.97 (NAVD 88)



**AS BUILTS**  
**kemiller**  
engineering  
516 S. Market,  
Wichita, KS 67202 (316)264-0242

Lot 3, Block 1, Whistling Walk Estates 4th Addition <b>Storage Basin Detail</b> Wichita, KS			
PROJECT NUMBER <b>0017 PPD (607861)</b>			
<b>kemiller</b> engineering	KEM NO. 11021	FILE grading	DATE 05/03/2011
DESIGN GP	DRAWN GP	REVISED	SHEET <b>3.0</b>