

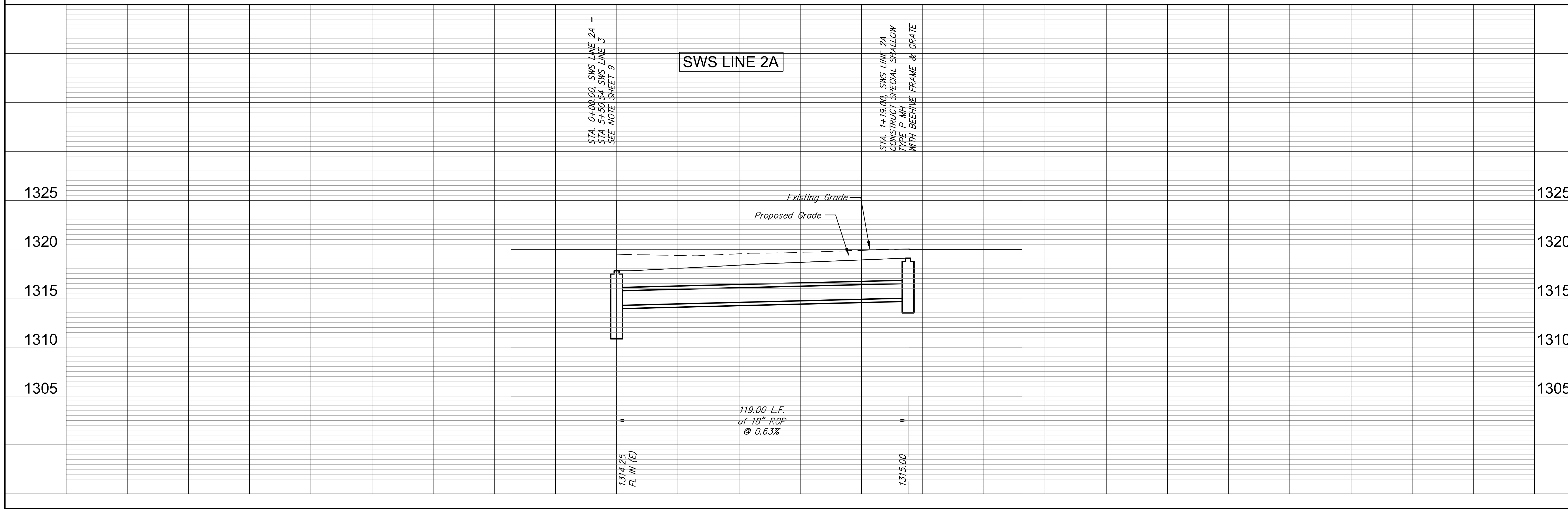
N 18064.27, E 17996.52
 STA. 5+50.54 SWS LINE 2
 CONSTRUCT STANDARD TYPE P MH
 WITH BEEHIVE INLET TOP
 DIAMETER = 5.0'
 TOP ELEV. 1317.80

N 18100.63, E 18109.83
 STA. 1+19.00 SWS LINE 2A
 CONSTRUCT SPECIAL SHALLOW
 TYPE P MH
 WITH BEEHIVE FRAME & GRATE
 TOP ELEV. 1318.00

STA. 0+00.00, SWS LINE 2A =
 STA. 5+50.54 SWS LINE 3
 SEE NOTE SHEET 9

SWS LINE 2A

STA. 1+19.00, SWS LINE 2A
 CONSTRUCT SPECIAL SHALLOW
 TYPE P MH
 WITH BEEHIVE FRAME & GRATE



119.00 L.F.
 of 18" RCP
 @ 0.63%

1314.25
 FL IN (E)

1315.00

Ruggles & Bohm, P.A.
 Engineering, Surveying, Land Planning
 604 Main St.
 Wichita, Kansas 67203
 www.ruggles.com
 (316) 264-4000
 Email: info@ruggles.com

REVIEWED	DATE
REVIEWED	May 9, 2012
DESIGN	DATE
DESIGN	June 7, 2012
UTILTY	

PROJECT NUMBER	468-94615
DRAWING FILE	Engineering Base [SWS Line 3a]

SIERRA HILLS 2ND ADDITION
 SWS Line 2A
 WICHITA, KANSAS

RB JOB	3268E
SHEET	13
OF	43