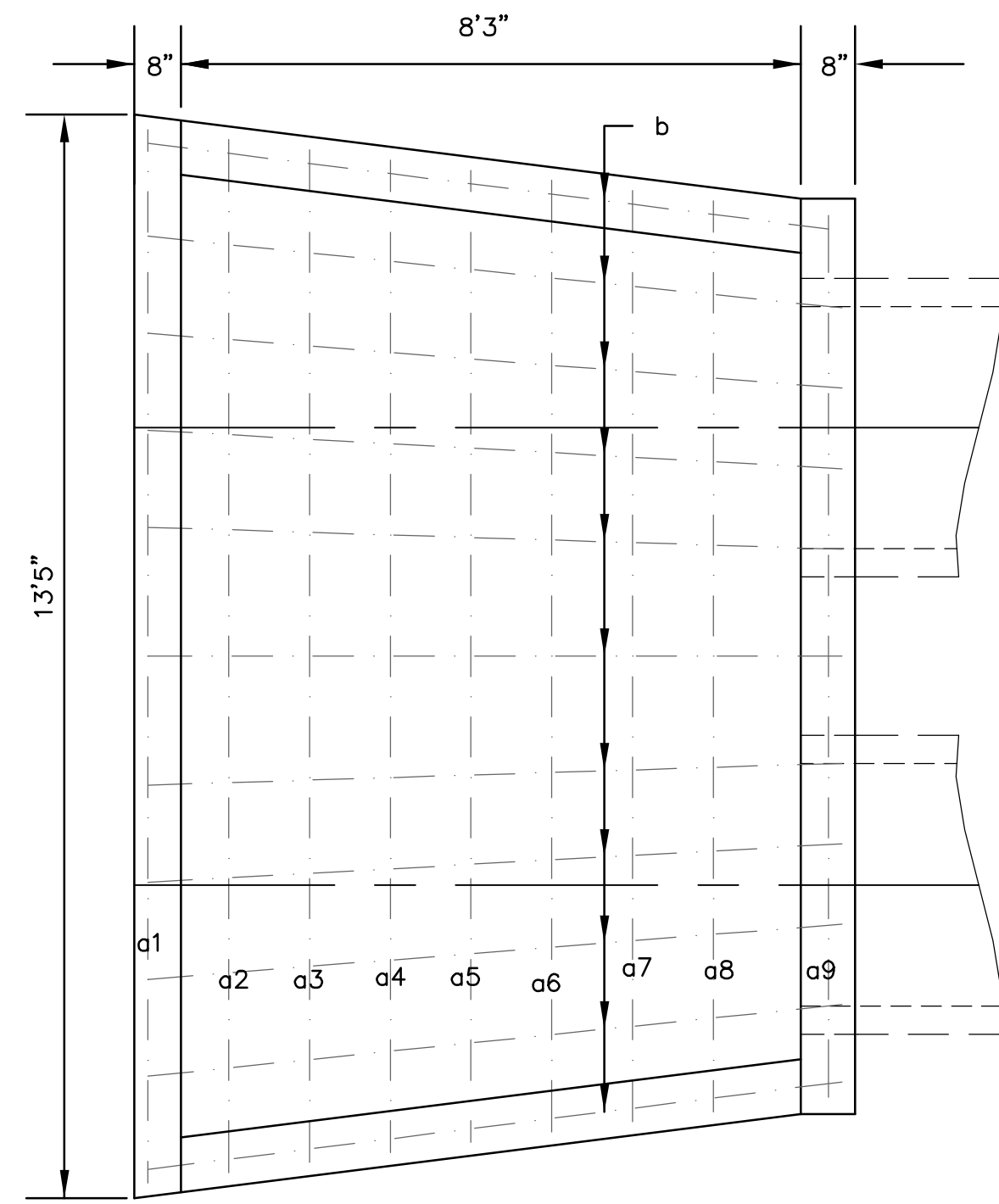
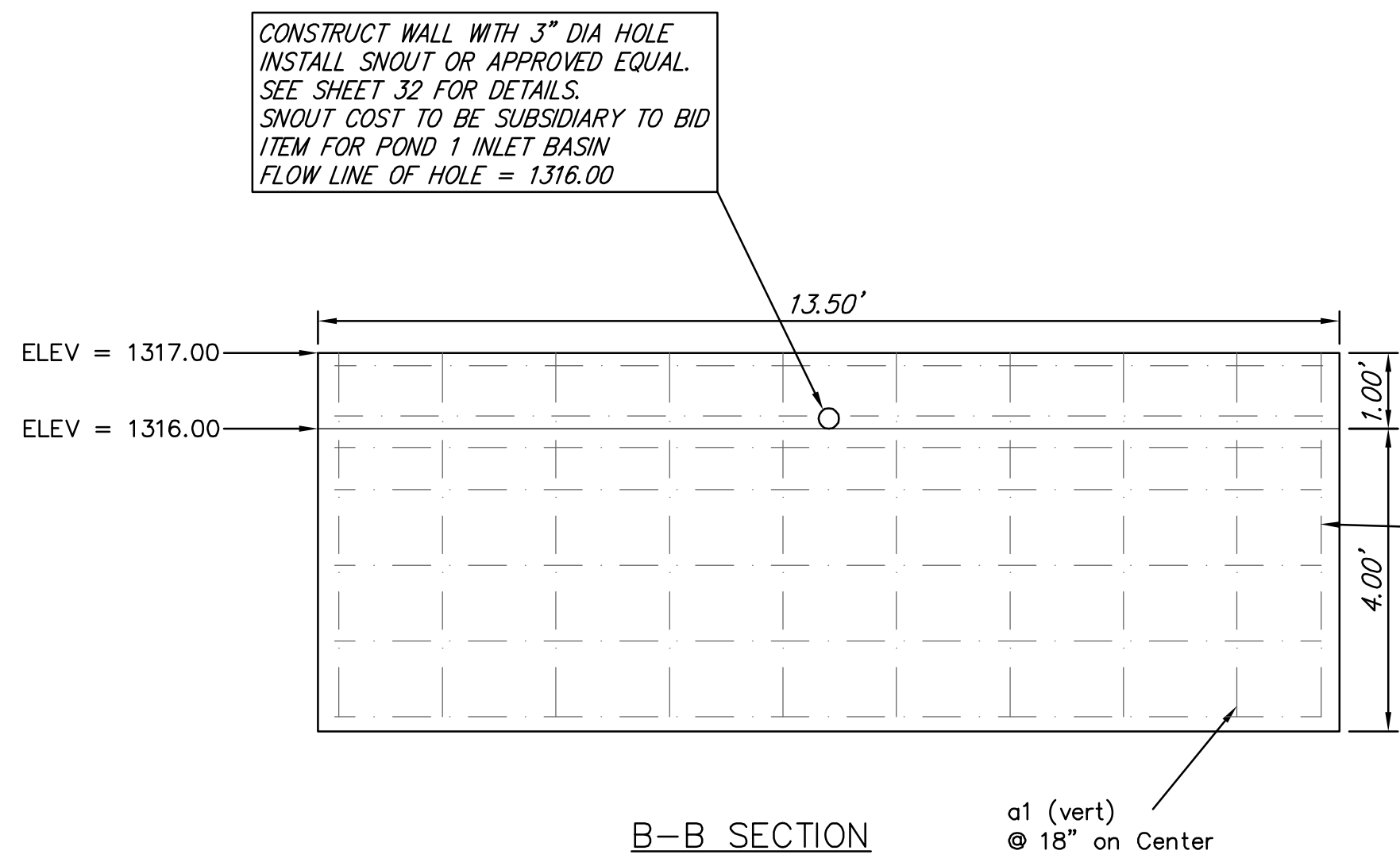


A-A SECTION

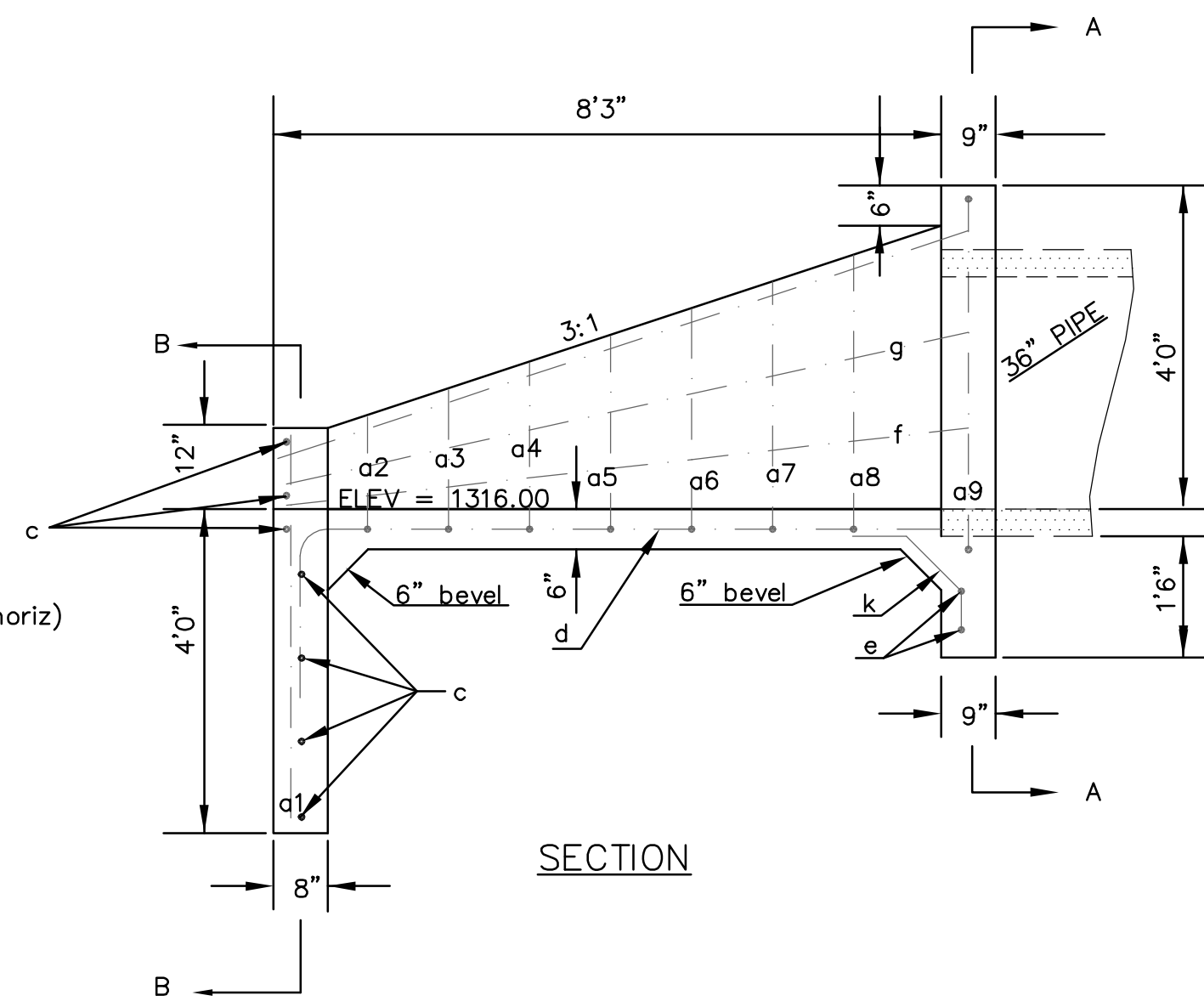


PLAN

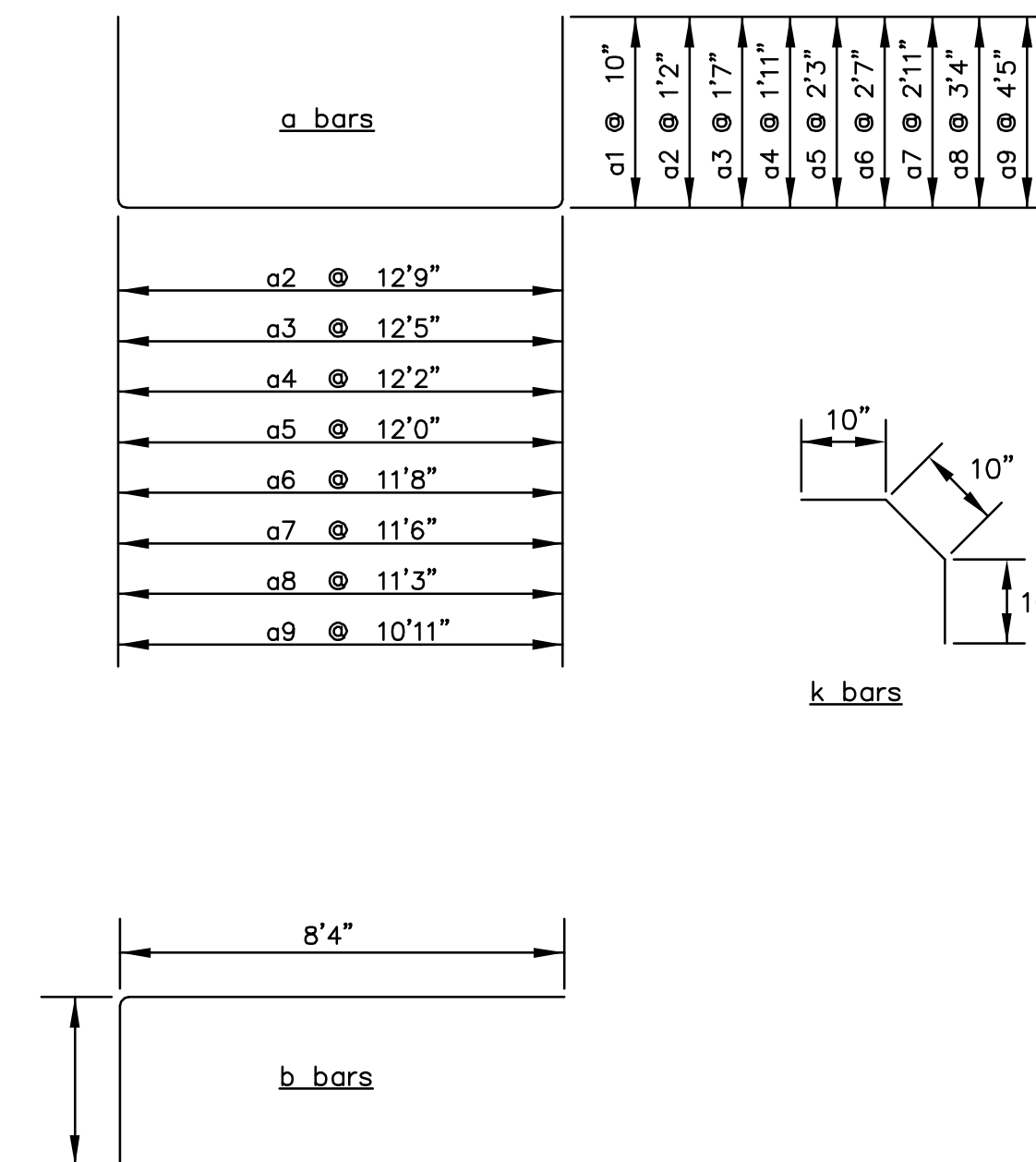
All exposed edges to have 1/2" bevel



B-B SECTION



SECTION



Sierra Hills 2nd Addition Pond 1 Inlet Basin WICHITA, KANSAS		DESIGN EJG DRAWN EJG REVIEW EJG DATE May 9, 2012 UTILITY	PROJECT NUMBER 468-84815	SHEET 22 OF 43
 Ruggles & Bohm, P.A. Engineering, Surveying, Land Planning		924 North Main Wichita, Kansas 67203 www.rbkansas.com	(316) 264-8008 (316) 264-4621 fax E-mail: info@rbkansas.com	DRAWING FILE Engineering Base {Pond 3 Weir}