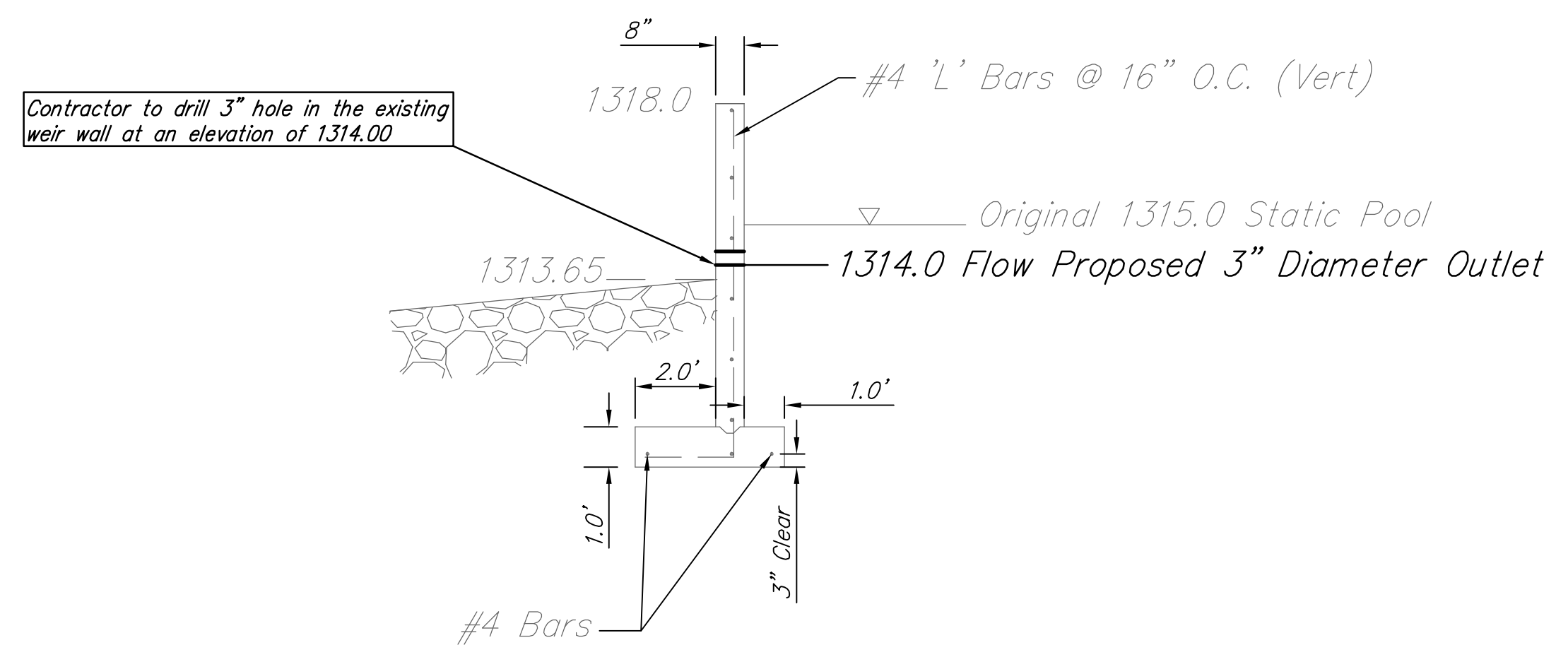
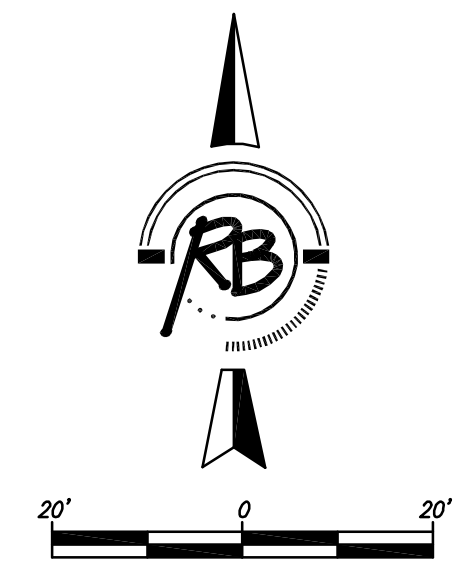


Pond 2 Existing Weir Wall



Existing Weir Wall Profile



Sierra Hills 2nd Addition Pond 2 Weir WICHITA, KANSAS			
 Ruggles & Bohm, P.A. Engineering, Surveying, Land Planning	924 North Main Wichita, Kansas 67203 www.rbkansas.com		(316) 264-8008 (316) 264-4621 fax E-mail: info@rbkansas.com
	DRAWING FILE Engineering Base {Pond 2 Weir}	PROJECT NUMBER 468-84815	DATE June 7, 2012
DESIGN EJC	DRAWN EJC	REVIEW May 9, 2012	SHEET 23 OF 43