

**BENCHMARKS:**

BM #1:  
RR Spike in CATV Pole, 85' east and 77' south of SE corner of Woods North 3rd Addition.  
Elev. = 1383.00 NAVD88

BM #2:  
" cut at centerline of inlet adjacent to Lot 29, Block A, Woods North 2nd Addition.  
Elev. = 1387.12 NAVD88

BM #3:  
Cross cut on north end of west headwall 137.5' south & 12' west of the intersection of 29th St N & 127th St E.  
ELEV. = 1382.45 NAVD88

Sta 0+00, Begin Line 1  
Connect to existing stub in manhole and extend pipe north.

**CAUTION!**  
Underground irrigation lines, sprinklers, and landscaping are present in Lot 25 & 26. Contractor shall be responsible for preservation of these systems and repair any damage caused by construction at no additional cost to the project. Cost incidental to "Site Restoration."

Contractor to replace all disturbed areas in Lot 25 & 26 with sod in like kind to existing. Cost incidental to "Site Restoration."

**CAUTION!**  
Existing Underground Utilities Near

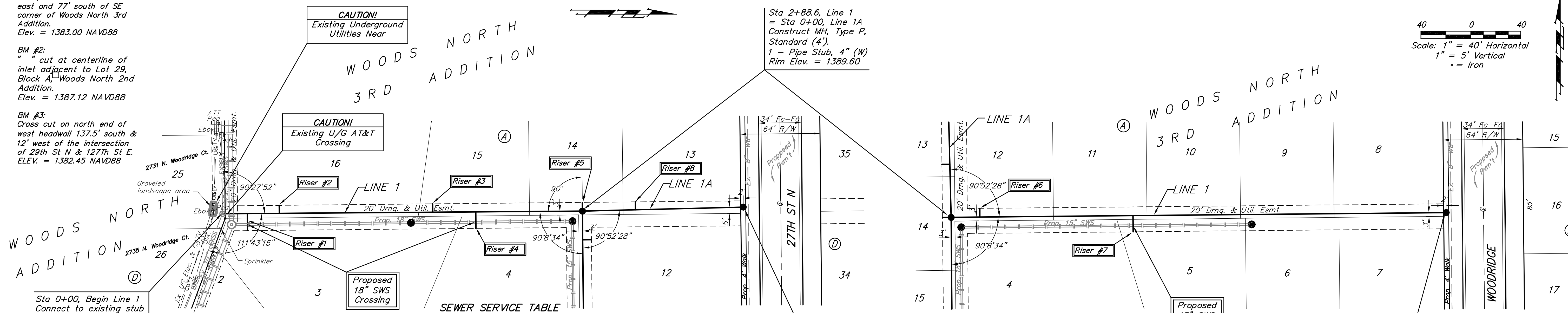
**CAUTION!**  
Existing U/G AT&T Crossing

Sta 2+88.6, Line 1 = Sta 0+00, Line 1A  
Construct MH, Type P, Standard (4').  
1 - Pipe Stub, 4" (W)  
Rim Elev. = 1389.60

Sta 1+29.0, End Line 1A  
Construct MH, Type P, Standard (4').  
Rim Elev. = 1396.50

Sta 6+85.4, End Line 1  
Construct MH, Type P, Standard (4').  
Rim Elev. = 1390.20

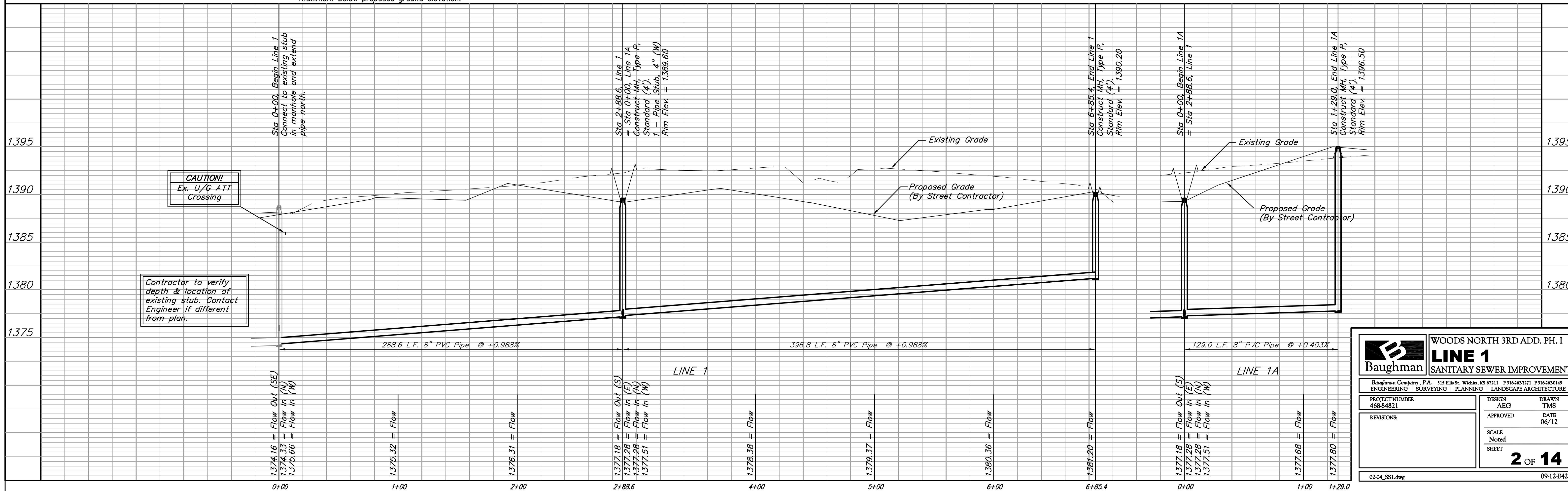
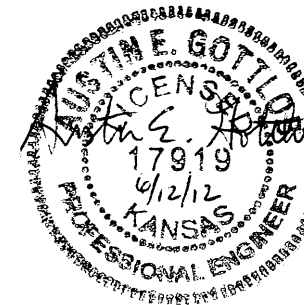
40 0 40  
Scale: 1" = 40' Horizontal  
1" = 5' Vertical  
• = Iron



SEWER SERVICE TABLE

| NUMBER | TYPE            | LOCATION |           |          | FOR INFORMATION ONLY |                            |
|--------|-----------------|----------|-----------|----------|----------------------|----------------------------|
|        |                 | LOT NO.  | BLOCK NO. | LINE NO. | STATION DIRECTION    | APPROXIMATE LENGTH 4" PIPE |
| 1      | 8" X 4" Tee     | 3        | A         | 1        | 0+20/Rt.             | 10.0' 13.0'                |
| 2      | 8" X 4" Tee     | 16       | A         | 1        | 0+46/Lt.             | 10.0' 7.0'                 |
| 3      | 8" X 4" Tee     | 15       | A         | 1        | 1+67/Lt.             | 10.5' 7.0'                 |
| 4      | 8" X 4" Tee     | 4        | A         | 1        | 2+03/Rt.             | 10.5' 13.0'                |
| 5      | 4" Stub w/Riser | 14       | A         | 1        | 2+88.6/Lt.           | 8.0' 7.0'                  |
| 6      | 8" X 4" Tee     | 12       | A         | 1        | 3+12/Lt.             | 8.0' 7.0'                  |
| 7      | 8" X 4" Tee     | 5        | A         | 1        | 4+35/Rt.             | 6.5' 13.0'                 |
| 8      | 8" X 4" Tee     | 13       | A         | 1A       | 0+43/Lt.             | 10.5' 12.0'                |

NOTE: Vertical Riser Pipe shall be extended to 2' minimum above ground water elevation and 4' maximum below proposed ground elevation.



**B** Baughman  
WOODS NORTH 3RD ADD. PH. I  
**LINE 1**  
SANITARY SEWER IMPROVEMENTS

Baughman Company, P.A. 315 Ellis St. Wichita, KS 67211 P 316-262-7271 F 316-262-0149  
ENGINEERING | SURVEYING | PLANNING | LANDSCAPE ARCHITECTURE

PROJECT NUMBER: 468-84821  
DESIGN: AEG  
APPROVED: TMS  
DATE: 06/12

REVISIONS:

SCALE: Noted  
SHEET: 2 OF 14

02-04\_SS1.dwg 09-12-E426