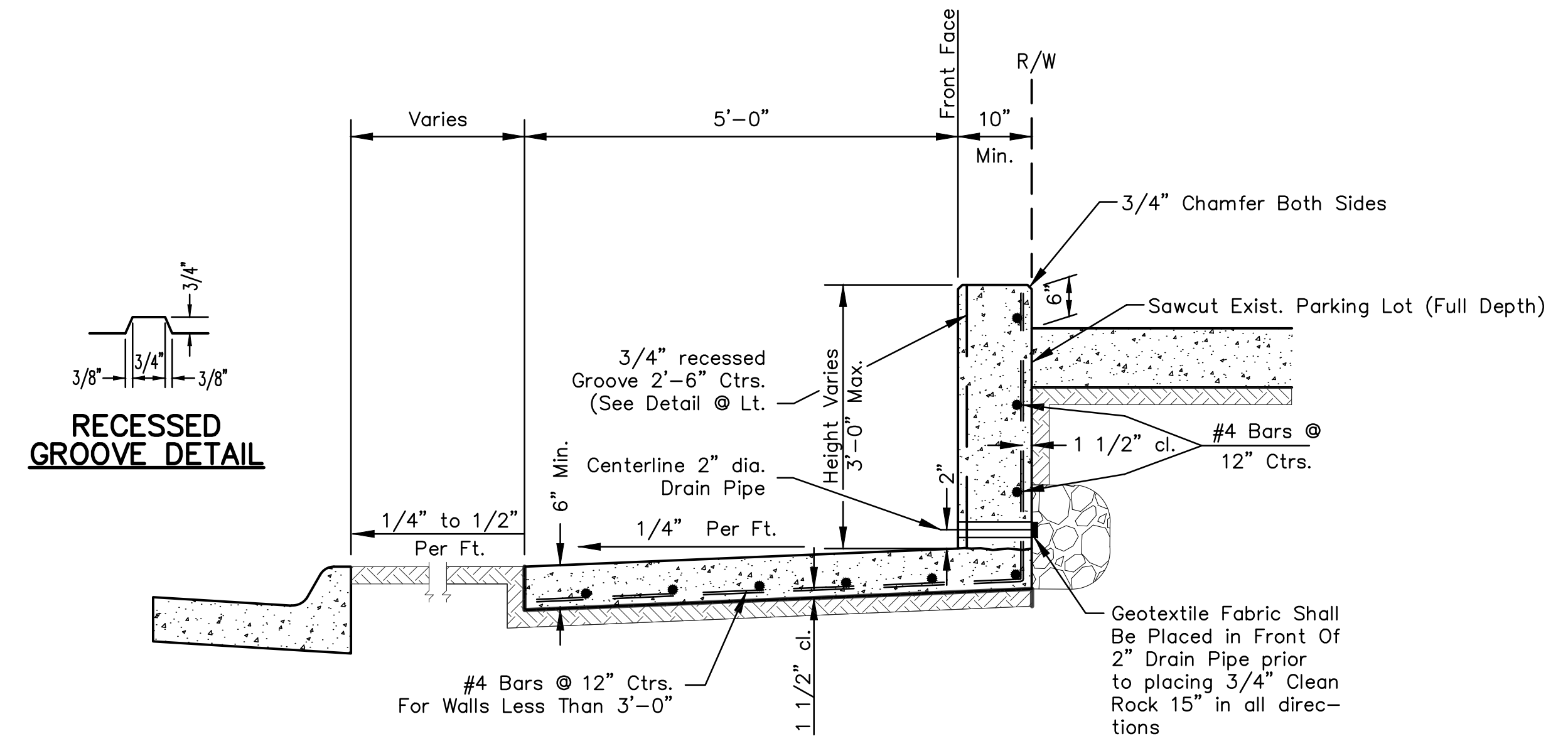


MODULAR CONC. RETAINING WALL
Anchor Diamond Pro Stone Cut Gravity Wall

"Retaining Wall" includes compacted granular material, top soil removal and replacement, adjustment to lighting and irrigation appurtenances and block units. Wall units shall be of the model and manufacture shown or approved equal. The color shall be Ozark Blend (tan and grey blend) or as directed by the Engineer.



INTEGRAL SIDEWALK AND RETAINING WALL

GENERAL NOTES:

1. COMPACTION SHALL BE TO MANUFACTURER'S RECOMMENDATIONS.
2. PROVIDE LATERAL DRAINAGE. TURF SHALL BE ESTABLISHED IMMEDIATELY AFTER COMPLETION OF THE RETAINING WALL.
3. ALL MATERIALS AND LABOR REQUIRED TO INSTALL RETAINING WALL SHALL BE CONSIDERED SUBSIDIARY TO THE BID ITEM "MODULAR CONCRETE BLOCK RETAINING WALL".
4. THE AREA OF OF RETAINING WALL IS MEASURED FROM THE TOP OF FOOTING TO THE TOP OF WALL

GENERAL NOTES:

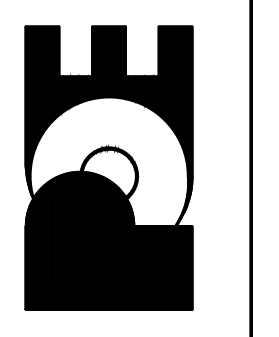
1. Concrete: f'c = 4,000 psi
2. Reinforcing Steel (ASTM A615 Grade 60): fy = 60,000 psi
3. ALL MATERIALS AND LABOR REQUIRED TO INSTALL RETAINING WALL SHALL BE CONSIDERED SUBSIDIARY TO THE BID ITEM "INTEGRAL SIDEWALK AND RETAINING WALL".

Location	Dir.	Lin. Ft.	Sq. Ft. Face	Remarks
Sta. 18+30.0 to Sta. 19+55.1	Lt.	125.1	235.0	Integral Sidewalk & Retaining Wall
Sta. 23+52.7 to Sta. 24+70.9	Lt.	90.8	151.4	Modular Concrete Block Retaining Wall
Sta. 24+98.9 to Sta. 25+81.2	Lt.	75.5	112.4	Modular Concrete Block Retaining Wall
Sta. 36+64.0 to Sta. 37+96.0	Rt.	125.7	412.5	Modular Concrete Block Retaining Wall
Sta. 38+24.0 to Sta. 39+50.0	Rt.	126.0	519.0	Modular Concrete Block Retaining Wall
Sta. 36+75.5 to Sta. 37+59.0	Lt.	77.2	180.0	Modular Concrete Block Retaining Wall
Sta. 37+04.4 to Sta. 38+78.8	Lt.	95.7	333.1	Modular Concrete Block Retaining Wall
Sta. 38+78.8 to Sta. 39+50.1	Lt.	58.7	121.6	Modular Concrete Block Retaining Wall
Sta. 40+05.1 to Sta. 40+76.1	Lt.	65.5	193.6	Modular Concrete Block Retaining Wall
Sta. 40+76.9 to Sta. 42+07.1	Lt.	123.8	341.3	Modular Concrete Block Retaining Wall
Sta. 42+07.1 to Sta. 42+77.6	Lt.	70.5	111.5	Modular Concrete Block Retaining Wall
Sta. 48+37.8 to Sta. 49+24.8	Lt.	87.0	178.0	Modular Concrete Block Retaining Wall
Sta. 6+50 (Fairmont St.)	Lt.	4.5	10.9	Modular Concrete Block Retaining Wall
Sta. 60+49.2 to Sta. 60+85.2	Lt.	36.0	91.0	Modular Concrete Block Retaining Wall
Sta. 60+91.6 to Sta. 61+96.6	Lt.	105.0	226.0	Modular Concrete Block Retaining Wall
Sta. 62+59.8 to Sta. 63+49.8	Lt.	90.0	220.0	Modular Concrete Block Retaining Wall
Sta. 64+11.8 to Sta. 65+39.3	Lt.	127.5	336.6	Modular Concrete Block Retaining Wall
Sta. 66+38.5 to Sta. 67+16.1	Rt.	71.3	173.3	Modular Concrete Block Retaining Wall
Sta. 67+41.4 to Sta. 67+74.4	Lt.	33.0	77.0	Modular Concrete Block Retaining Wall
Sta. 67+94.4 to Sta. 68+87.4	Lt.	93.0	303.0	Modular Concrete Block Retaining Wall
Sta. 73+62.7 to Sta. 74+50.0	Rt.	87.3	218.0	Modular Concrete Block Retaining Wall
Sta. 74+50.0 to Sta. 75+50.2	Rt.	100.2	289.4	Modular Concrete Block Retaining Wall

No.	Date	By	Approved

13th STREET NORTH FROM KANSAS TO OLIVER
STREET & DRAINAGE IMPROVEMENTS
13th STREET RETAINING WALLS
CITY OF WICHITA, KANSAS
JAMES L. ARMOUR, P.E. - CITY ENGINEER

POE & ASSOCIATES, INC.
CONSULTING ENGINEERS
5940 E. Central, Suite 200 ■ Wichita, KS 67208-4292
Phone 316/685-4114 ■ FAX 316/685-4444



FINAL
Designed By: P. Ferguson
Drawn By: P. Ferguson
City Job No.: 472-84320 Poo Job No.: 1871A
Date: March 2012