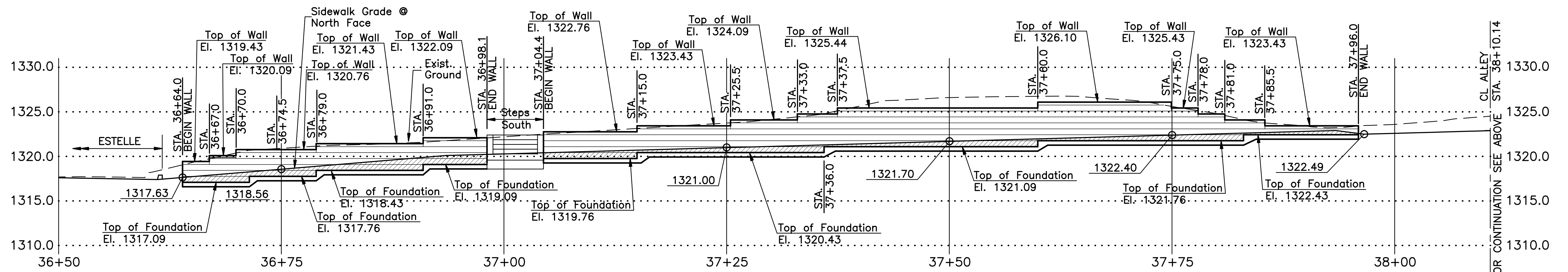


MODULAR CONC. RETAINING WALL PROFILE
13th Street Sta. 38+24.0 to Sta. 39+50.0 Rt.

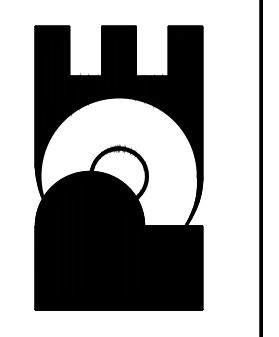


MODULAR CONC. RETAINING WALL PROFILE
13th Street Sta. 36+64.0 to Sta. 37+96.0 Rt.

No.	Date	By	Approved	Revision
1				
2				
3				

13th STREET NORTH FROM KANSAS TO OLIVER
STREET & DRAINAGE IMPROVEMENTS
13th STREET RETAINING WALLS
CITY OF WICHITA, KANSAS
JAMES L. ARMOUR, P.E. - CITY ENGINEER

POE & ASSOCIATES, INC.
CONSULTING ENGINEERS
5940 E. Central, Suite 200 • Wichita, KS 67208-4242
Phone 316/685-4114 • FAX 316/685-4444



FINAL
Designed By: P. Ferguson
Drawn By: P. Ferguson
City Job No.: 472-84320 Poe Job No.: 1871A
Date: March 2012