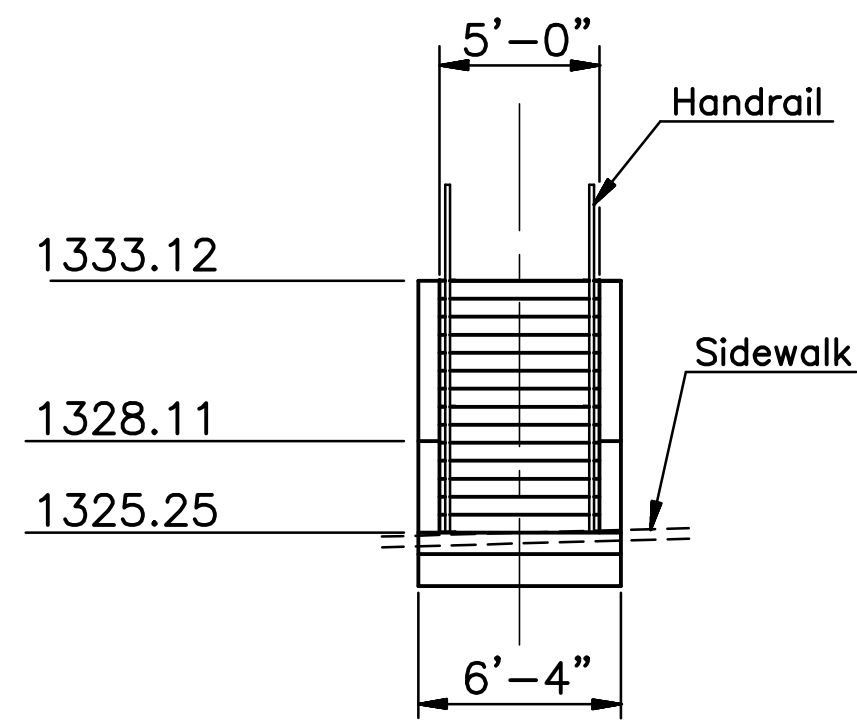
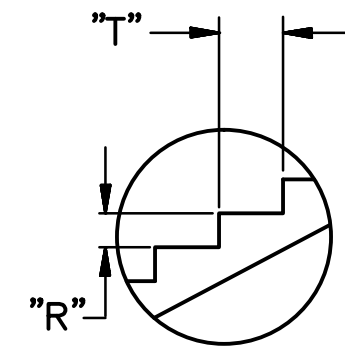
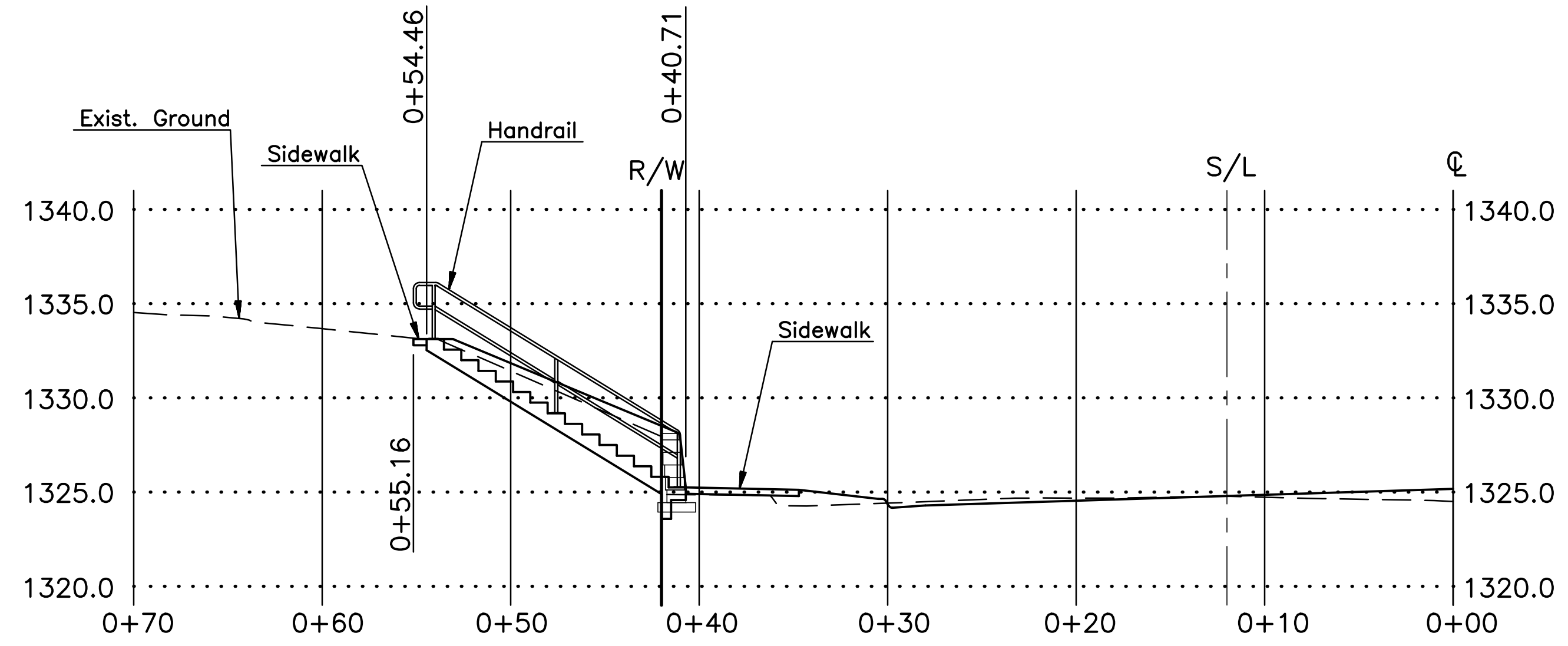


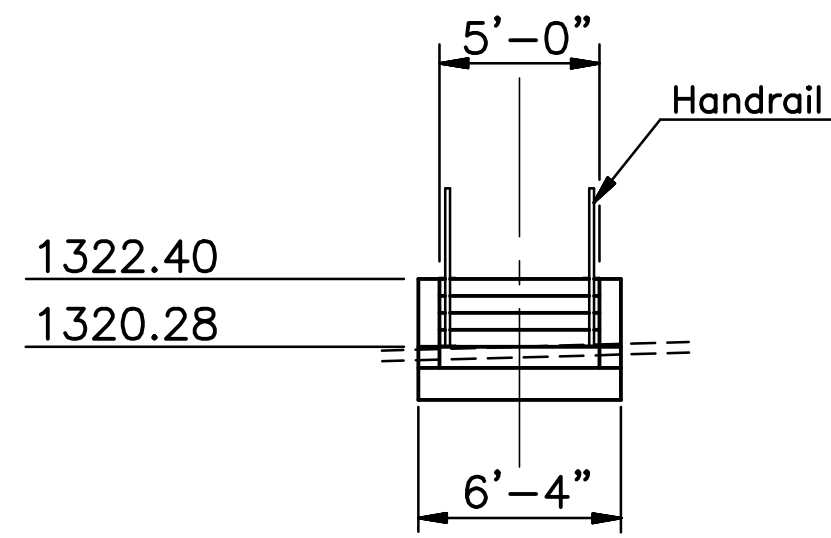
STEP DIMENSIONS
 "T" = 11" (15)
 "R" = 6 3/4" (14)



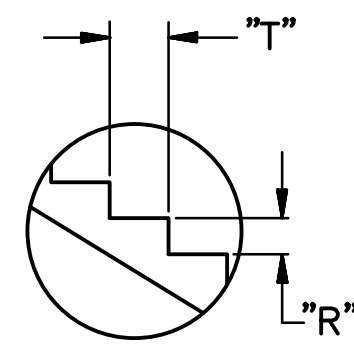
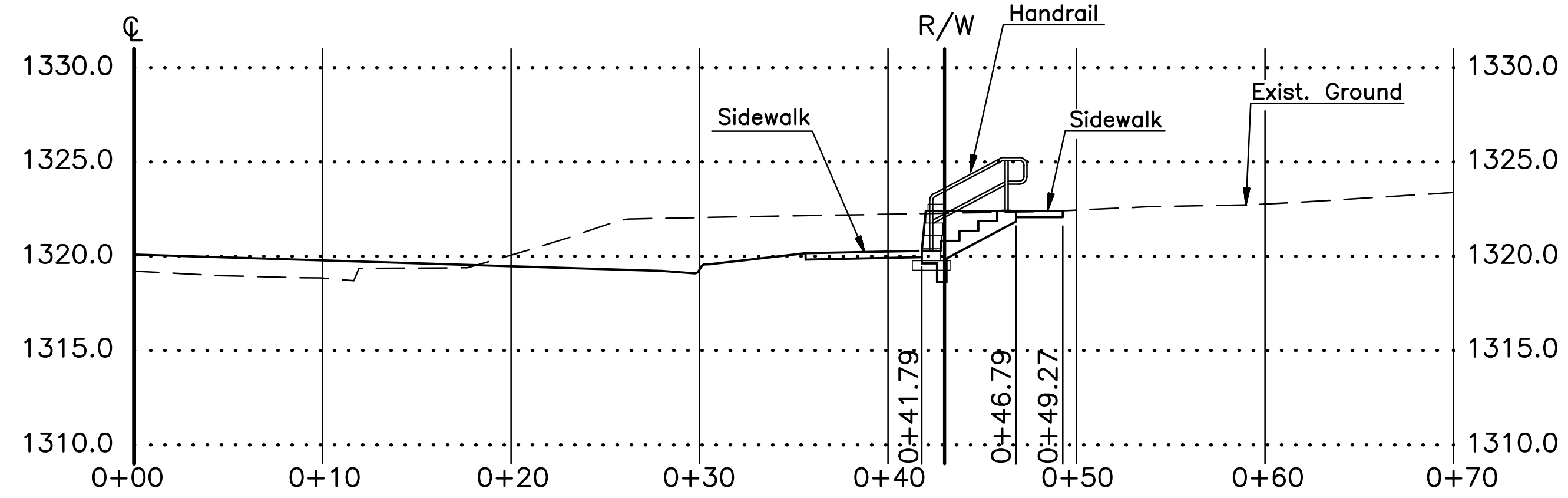
STEPS ELEVATION
 13th Street Sta. 38+81.98 Lt.



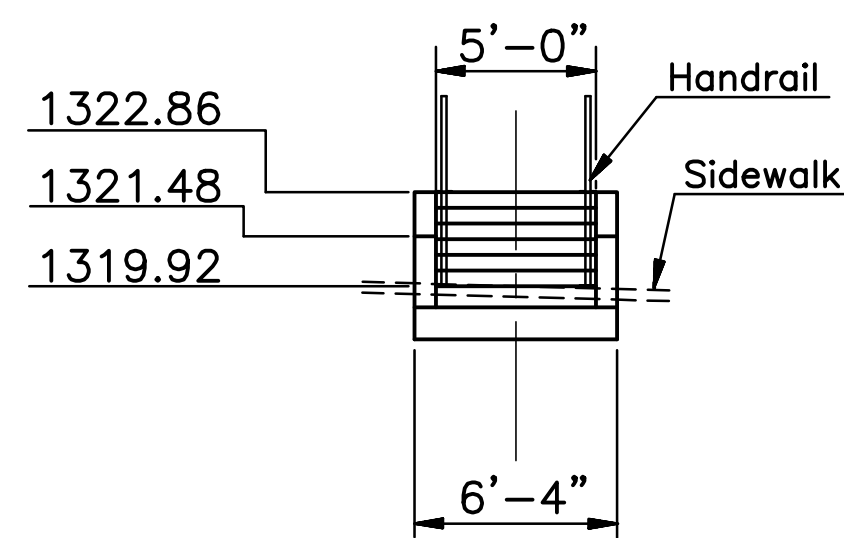
STEP DIMENSIONS
 "T" = 12" (5)
 "R" = 6 3/8" (4)



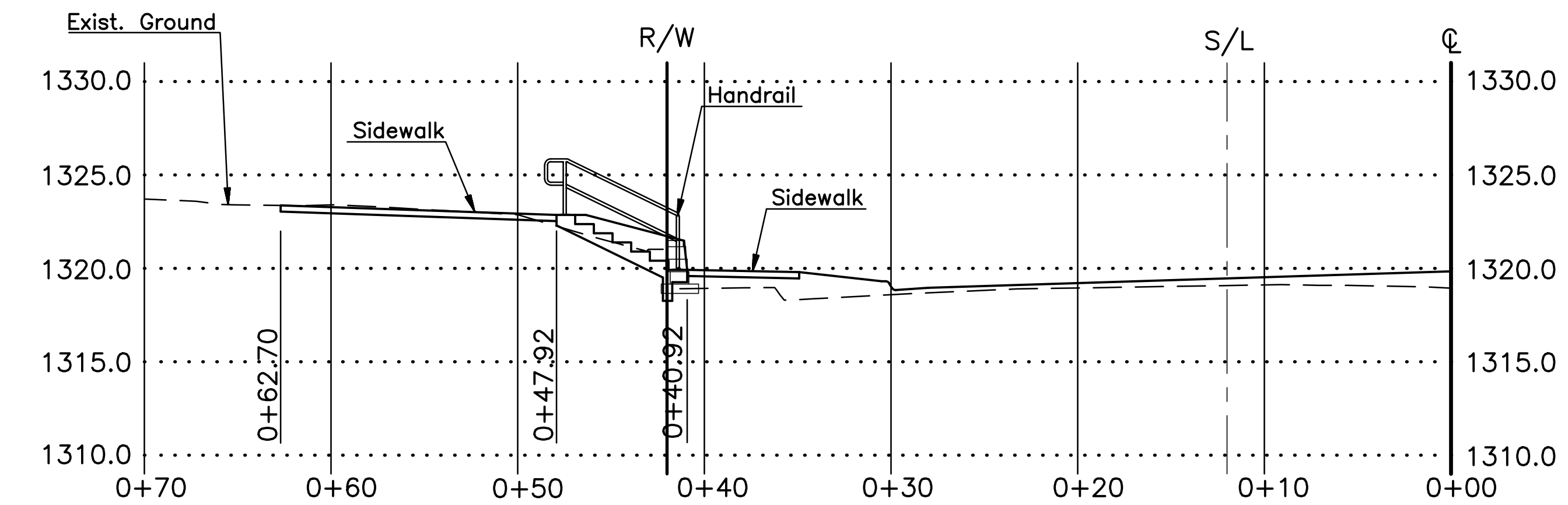
STEPS ELEVATION
 13th Street Sta. 37+01.26 Rt.



STEP DIMENSIONS
 "T" = 12" (9)
 "R" = 5 7/8" (8)



STEPS ELEVATION
 13th Street Sta. 36+92.00 Lt.



No.	Date	By	Approved	Revision

13th STREET NORTH FROM KANSAS TO OLIVER
 STREET & DRAINAGE IMPROVEMENTS
 13th STREET STEPS AND HANDRAIL
CITY OF WICHITA, KANSAS
 JAMES L. ARMOUR, P.E. - CITY ENGINEER

POE & ASSOCIATES, INC.
 CONSULTING ENGINEERS
 5940 E. Central, Suite 200 • Wichita, KS 67208-4242
 Phone 316/685-4114 • FAX 316/685-4444



FINAL
 Designed By: P. Ferguson
 Drawn By: P. Ferguson
 City Job No.: 472-84320 Poe Job No.: 1871A
 Date: March 2012