

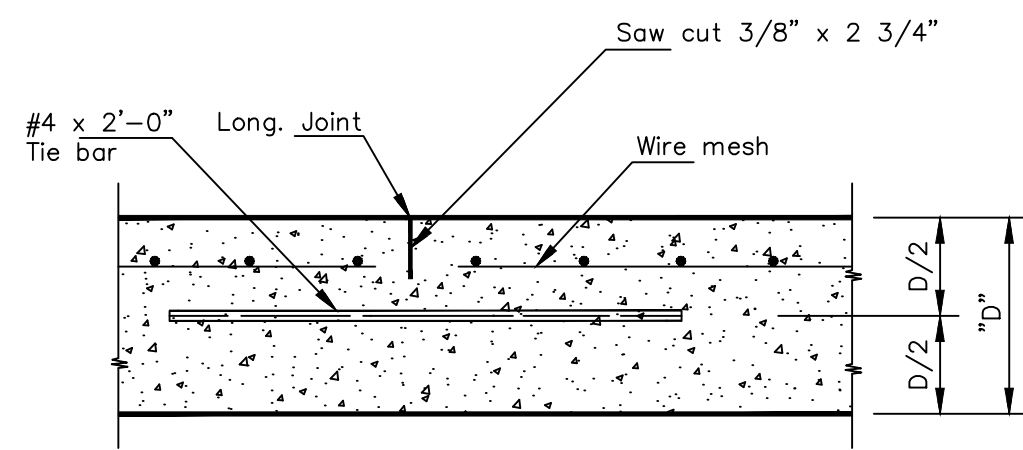
DETAIL OF LAP FOR WIRE MESH

NOTE: The lap shall extend beyond the first transverse wire of each sheet.

The sheets shall be wired securely at the edges and at intervals not to exceed 2'-6" for the full width of the sheet. Approx. weight of wire mesh = 44 lbs. per 100 sq. ft.

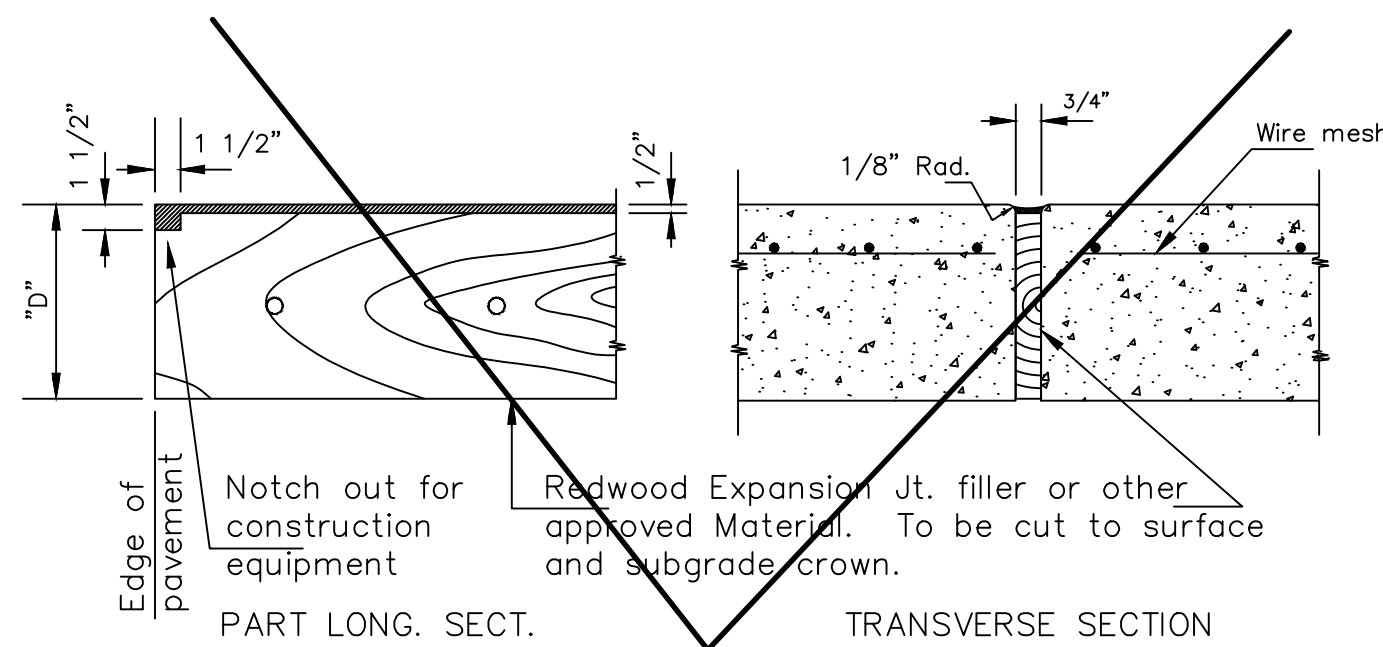
Other methods for fastening the sheets of wire mesh at the laps may be used with the approval of the Engineer.

NOTE: CONTRACTION JOINTS AND EXPANSION JOINTS SHALL BE FORMED IN THE MONOLITHIC CURB AT ALL LOCATIONS WHERE SUCH JOINTS ARE PLACED IN THE PAVEMENT. ADDITIONAL CONTRACTION JOINTS SHALL BE CUT IN THE MONOLITHIC CURB IN UNIFORM LENGTHS NOT EXCEEDING TEN FOOT INTERVALS BETWEEN THOSE JOINTS WHICH COINCIDE WITH JOINTS IN THE PAVEMENT.



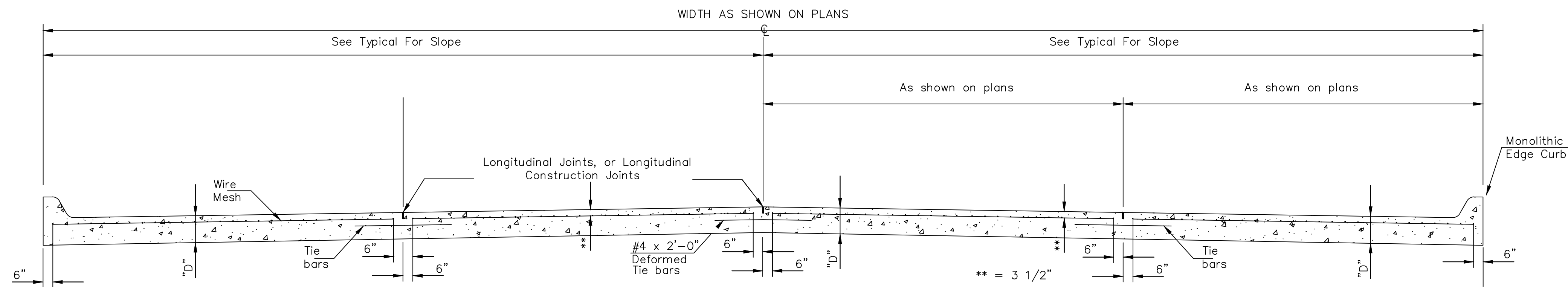
LONGITUDINAL JOINT DETAIL TRANSVERSE SECTION

NOTE: Longitudinal joint formed by sawing 2 3/4" deep and 3/8" wide and filled as specified in standard specifications.



EXPANSION JOINT DETAIL

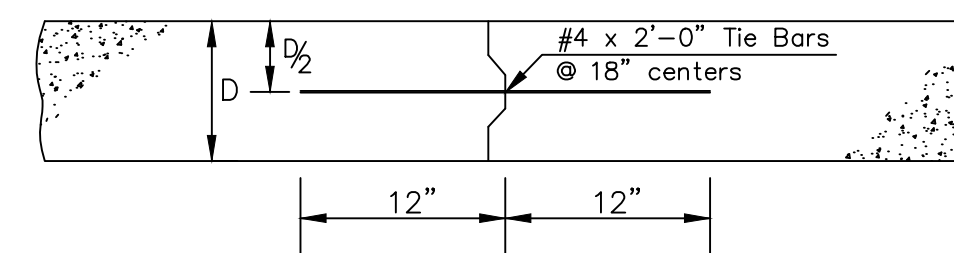
NOTE: EXPANSION JOINT MATERIAL MUST BE SECURELY HELD IN PLACE BY USING METAL STAKES, METAL PINS, OR BY OTHER APPROVED METHODS SO THAT WHEN THE PAVEMENT IS COMPLETED THE EXPANSION MATERIAL WILL BE PERPENDICULAR TO THE SURFACE OF THE COMPLETED PAVEMENT. CONCRETE SHALL BE HAND PLACED ON EACH SIDE OF THE EXPANSION JOINT MATERIAL IN A MANNER THAT WILL PRECLUDE DISPLACEMENT OF THE EXPANSION JOINT MATERIAL.



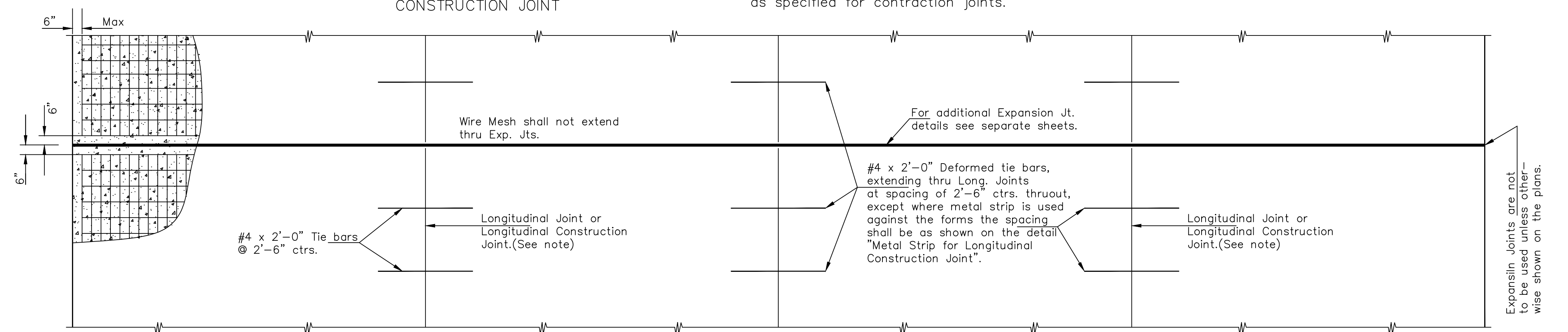
TRANVERSE SECTION

\*\* Note: The 3 1/2" as shown on standard sheet is a nominal dimension and may be subject to a normal unevenness due to placement operations.

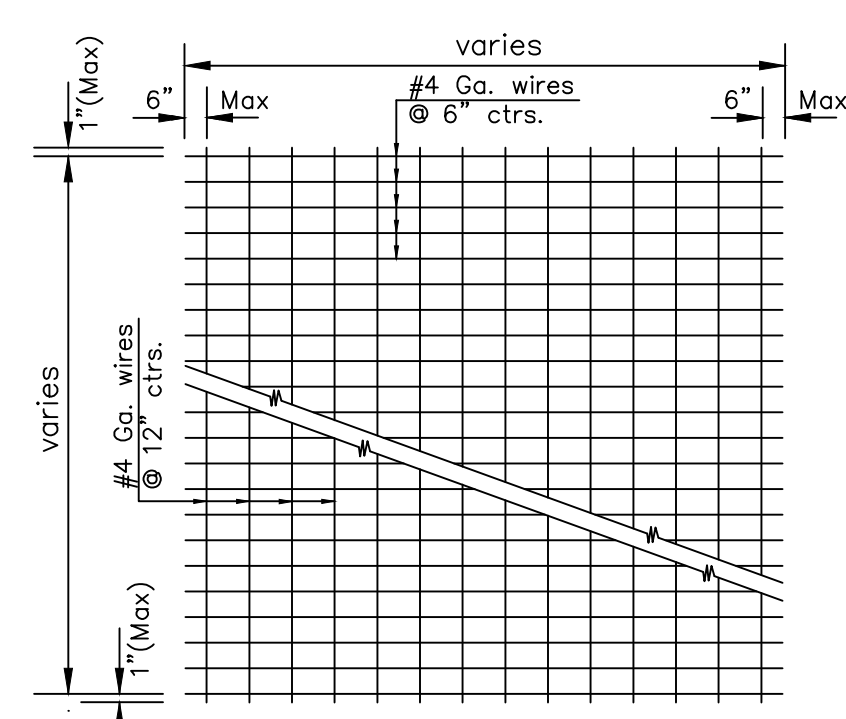
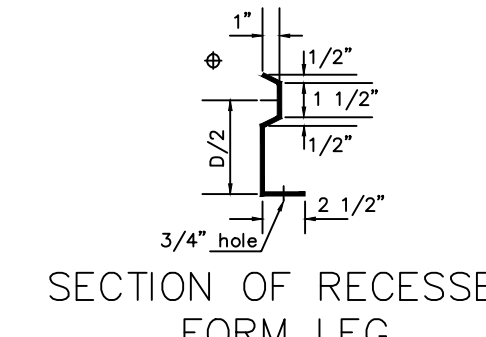
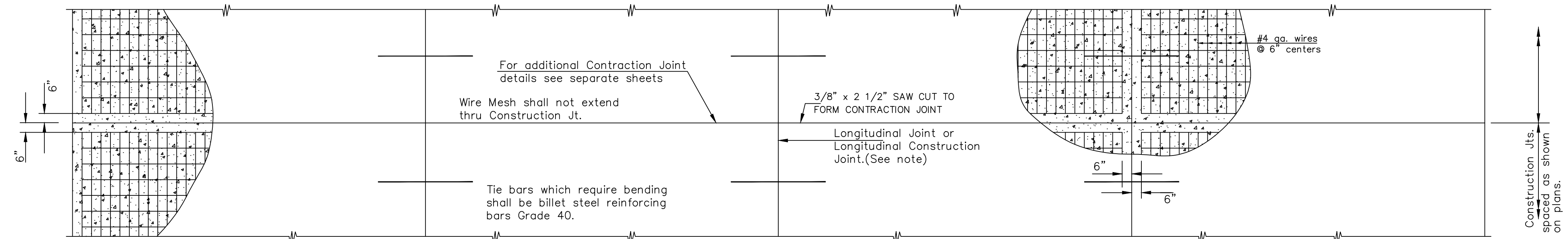
Note: A Construction Joint is required when the pour has been interrupted for a substantial length of time or at the end of a days pour. Transverse Construction Joints shall be sawed and filled as specified for contraction joints.



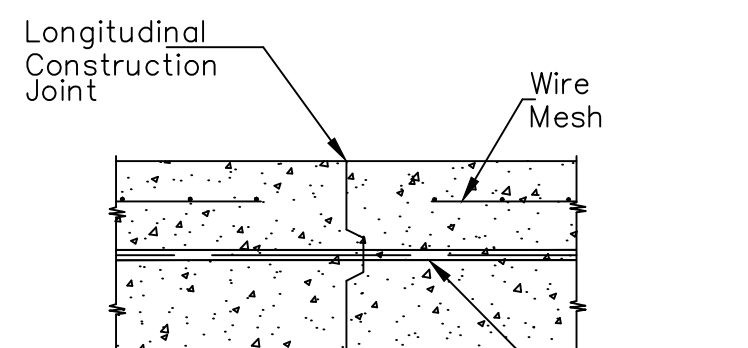
CONSTRUCTION JOINT



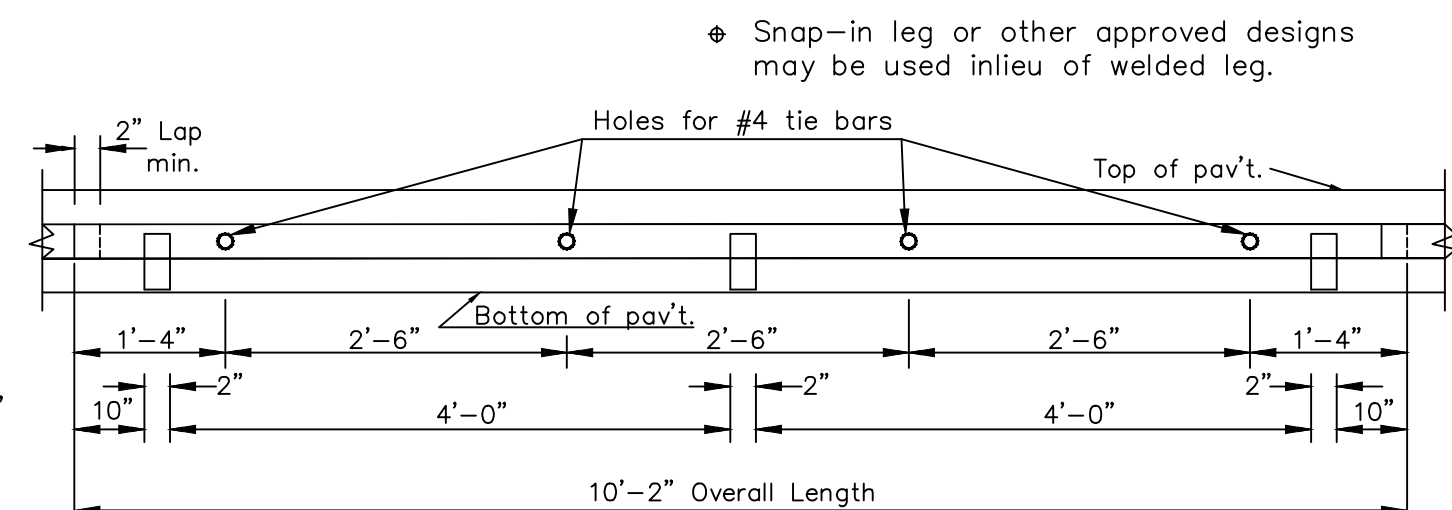
PLAN



TYPICAL SHEET OF WELDED WIRE MESH



LONGITUDINAL CONSTRUCTION JOINT DETAIL TRANSVERSE SECTION



METAL STRIP FOR LONGITUDINAL CONSTRUCTION JOINT

TO BE USED ONLY AGAINST FORMS. SHALL NOT EXTEND THROUGH CONTRACTION OR EXPANSION JOINTS. OTHER TYPES OF CONSTRUCTION SHALL BE PERMITTED WITH THE APPROVAL OF THE ENGINEER.



CONCRETE PAVEMENT DETAILS		
CITY ENGINEER		
JAMES L. ARMOUR, P.E., L.S.		
PROJECT NUMBER	OCA NUMBER	DATE
472 - 84320	706933	07/2008
CITY ENGINEER'S OFFICE		DESIGN
CITY HALL - SEVENTH FLOOR		JPD
455 NORTH MAIN STREET		DRAWN
WICHITA, KANSAS 67202-1620		MLT
(316) 268-4501		SHEET
(316) 268-4114 FAX		86 OF 374

13th STREET NORTH FROM KANSAS TO OLIVER STREET & DRAINAGE IMPROVEMENTS  
CONCRETE PAVEMENT DETAILS  
CITY OF WICHITA, KANSAS  
JAMES L. ARMOUR, P.E. - CITY ENGINEER

POE & ASSOCIATES, INC.  
CONSULTING ENGINEERS  
5940 E. Central, Suite 200 • Wichita, KS 67208-4242  
Phone 316/685-4114 • FAX 316/685-4444

Designed By: JPD  
Drawn By: MLT  
Poe Job No.: 1871A  
Date: March 2012

Revision  
No.  Date  By  Approved

86 of 374