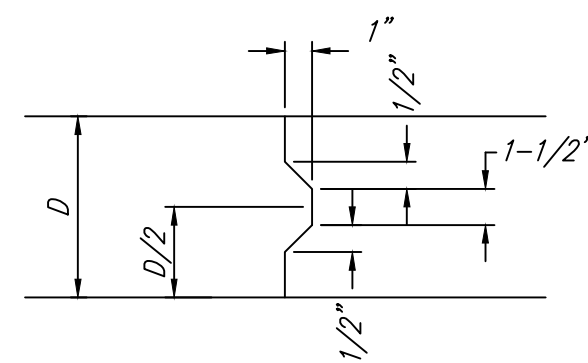
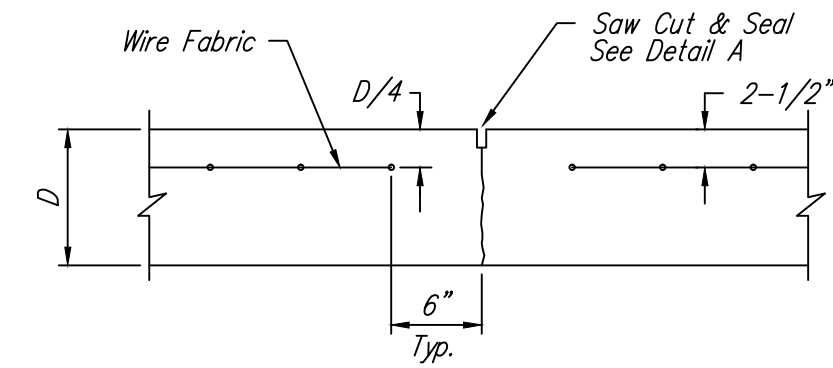


EXPANSION JOINT

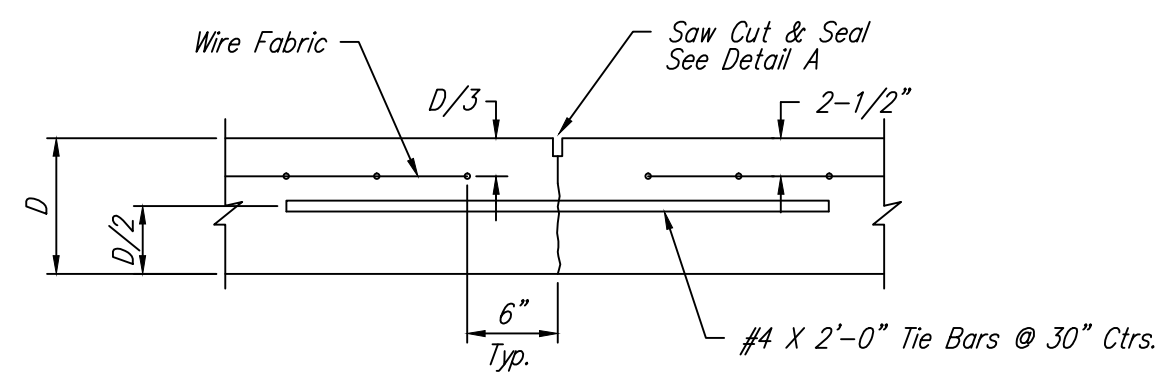
NOTE: Extra Thickness to be Subsidiary to Price of Square Yards Pavement



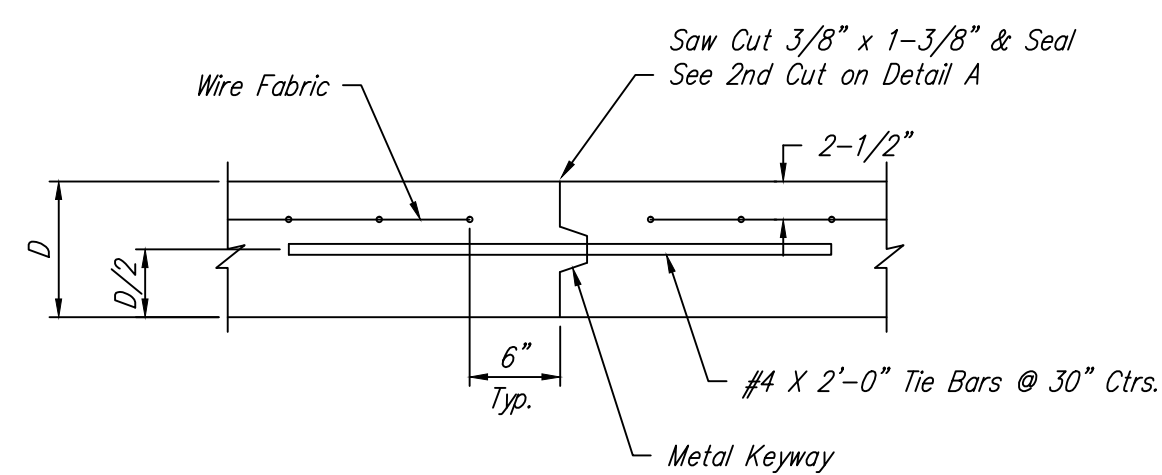
KEYWAY DETAIL



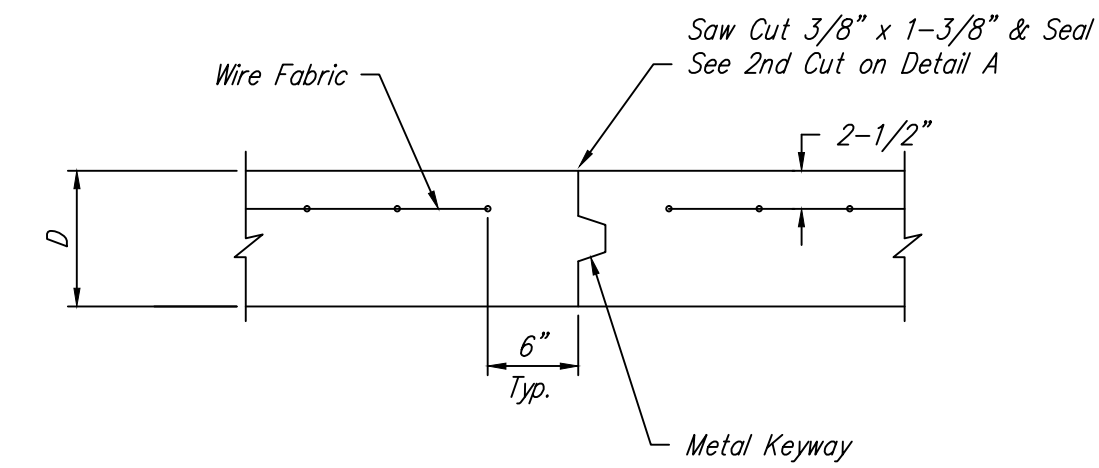
CONTRACTION JOINT DETAIL (C.J.)



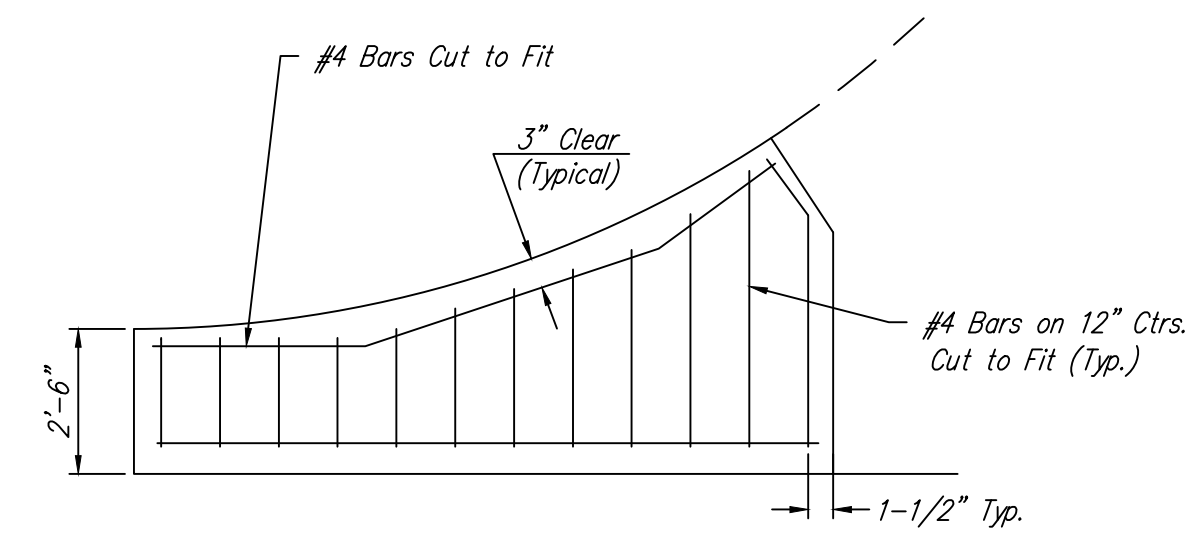
LONGITUDINAL JOINT DETAIL (L.J.)



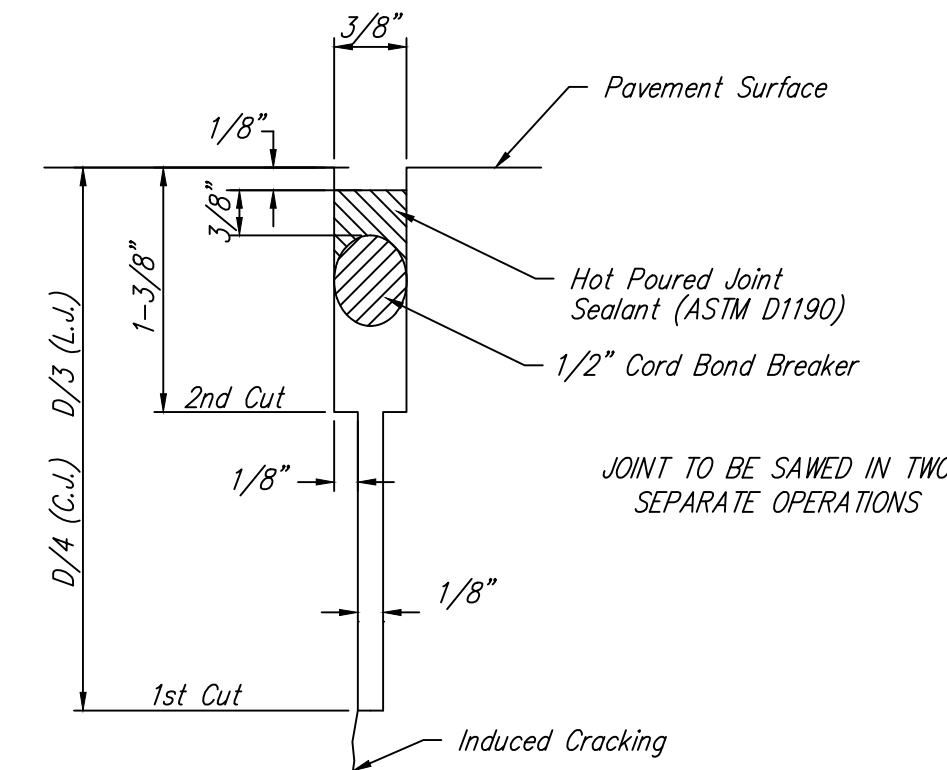
OPTIONAL LONGITUDINAL JOINT DETAIL (L.J.)



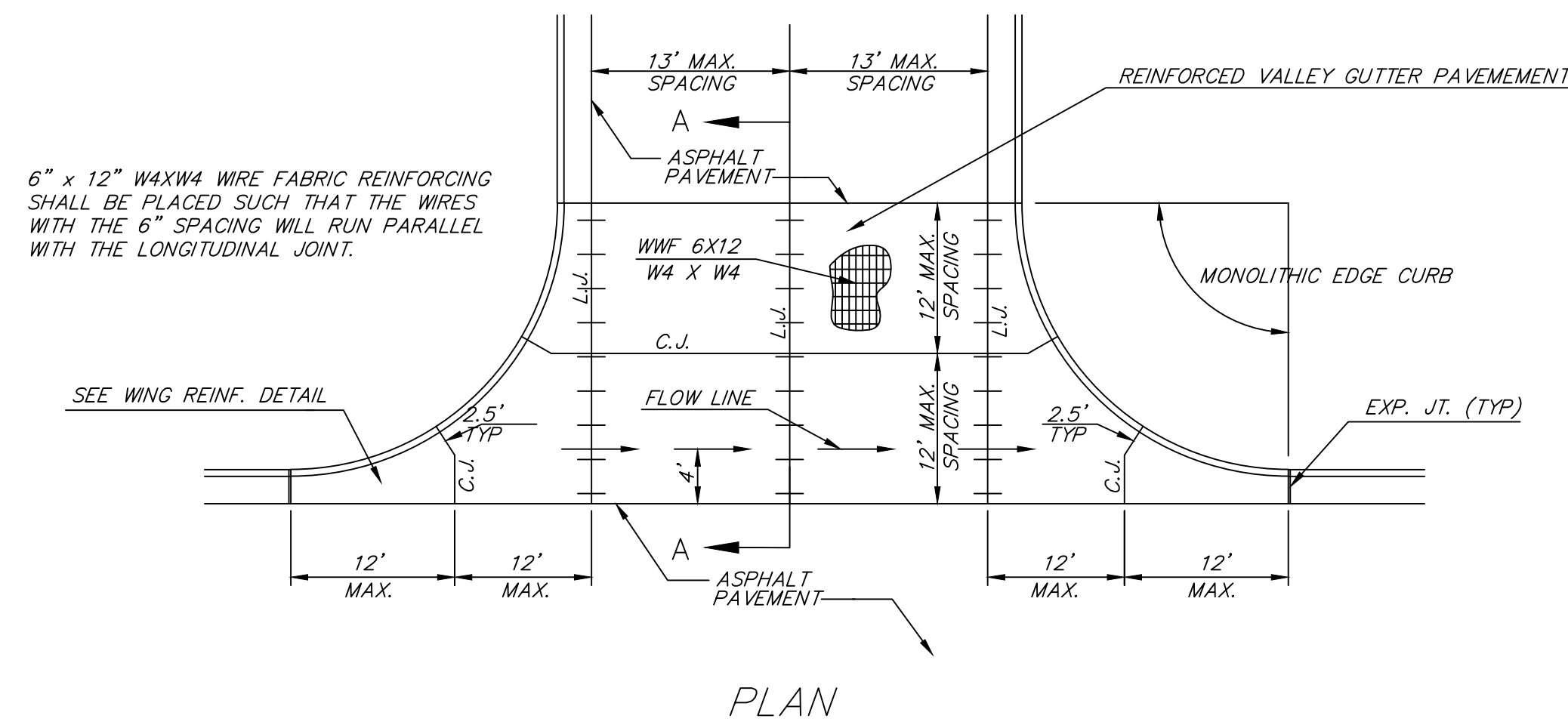
OPTIONAL CONTRACTION JOINT



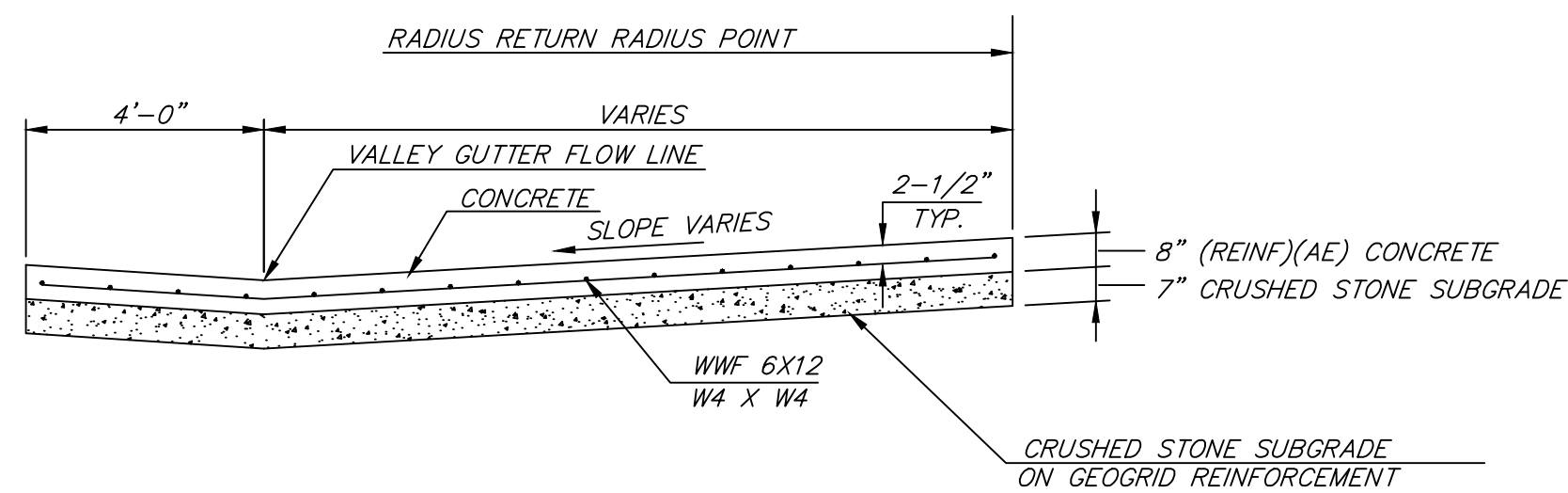
WING REINFORCING DETAIL



SAW JOINT DETAIL

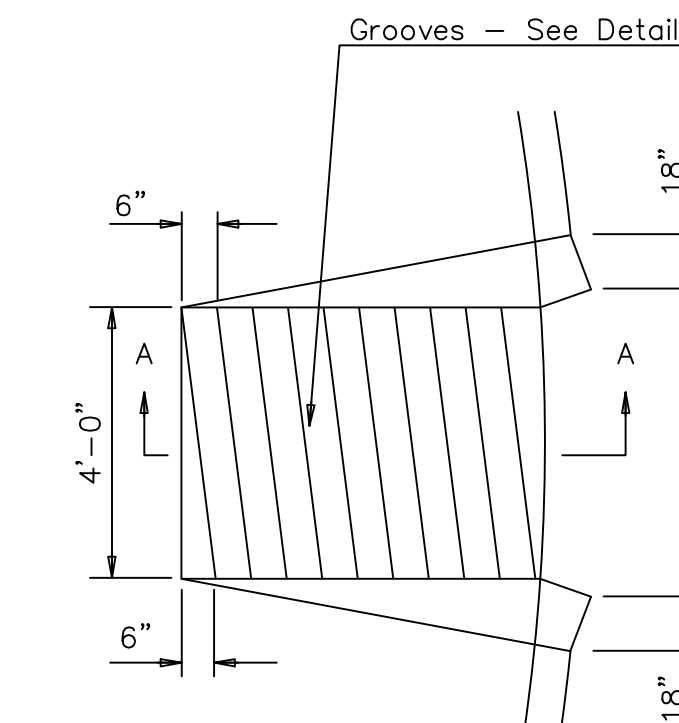


PLAN

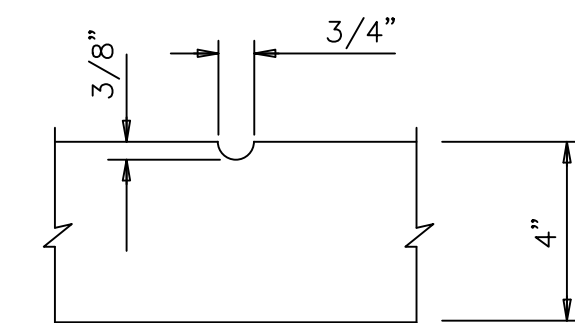


SECTION A-A

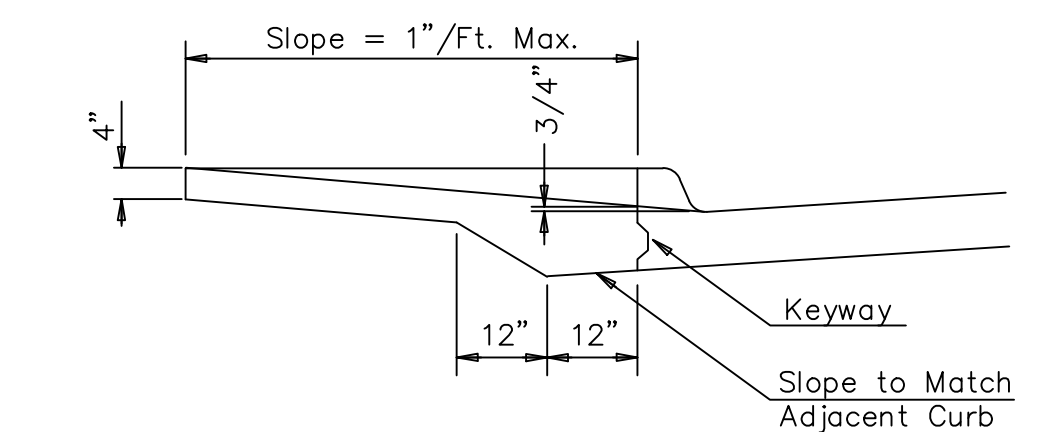
REINFORCED VALLEY GUTTER DETAIL



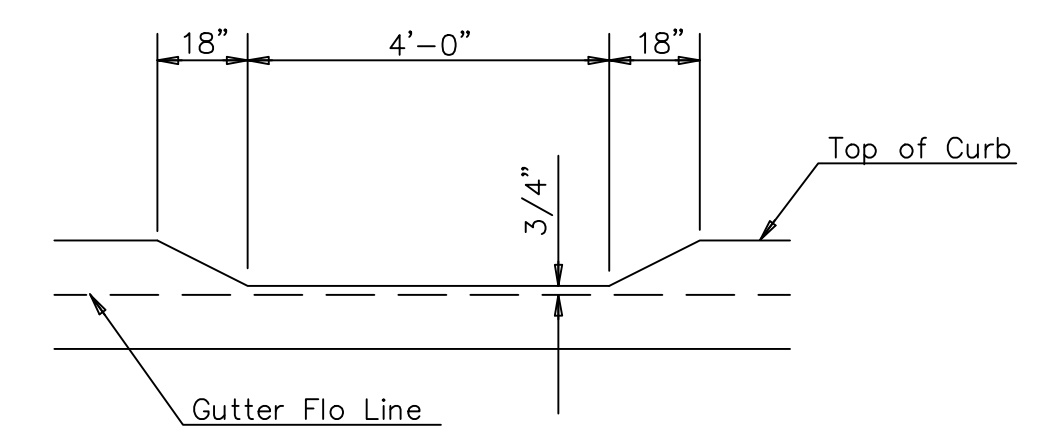
WHEELCHAIR RAMP PLAN VIEW



GROOVE DETAIL



SECTION A-A



DEPRESSED CURB DETAIL

WHEELCHAIR RAMP DETAIL



VALLEY GUTTER DETAILS WHEELCHAIR RAMP DETAILS		
CITY ENGINEER JAMES L. ARMOUR, P.E., L.S. ACTING		
PROJECT NUMBER 472 - 84320	OCA NUMBER 706933	DATE 7/2008
CITY ENGINEER'S OFFICE CITY HALL - SEVENTH FLOOR 455 NORTH MAIN STREET WICHITA, KANSAS 67202-1620 (316) 268-4501 (316) 268-4114 FAX		DESIGN JPD DRAWN MLT SHEET 87 OF 374

13th STREET NORTH FROM KANSAS TO OLIVER
STREET & DRAINAGE IMPROVEMENTS
VALLEY GUTTER AND WHEELCHAIR RAMP DETAILS

POE & ASSOCIATES, INC.
CONSULTING ENGINEERS
5940 E. Central, Suite 200 • Wichita, KS 67208-4242
Phone 316/685-4114 • FAX 316/685-4444

CITY OF WICHITA, KANSAS
JAMES L. ARMOUR, P.E. - CITY ENGINEER

Designed By: JPD
Drawn By: MLT
Poe Job No.: 1871A
Date: March 2012

Revision
No. Date By Approved