

PLAN - 6'x4' RCB WITH WINGWALLS
1/4" = 1'-0"

SUMMARY OF QUANTITIES		C.Y.
Concrete (Grade 4.0)(AE)	16.2	C.Y.
Reinforcing Steel (Gr. 60)	1450	Lbs.
Class III Excavation	35	C.Y.
Foundation Stabilization	10	C.Y.

Minimum Splice Lengths	
#4	1'-4"
#5	1'-8"
#6	2'-0"

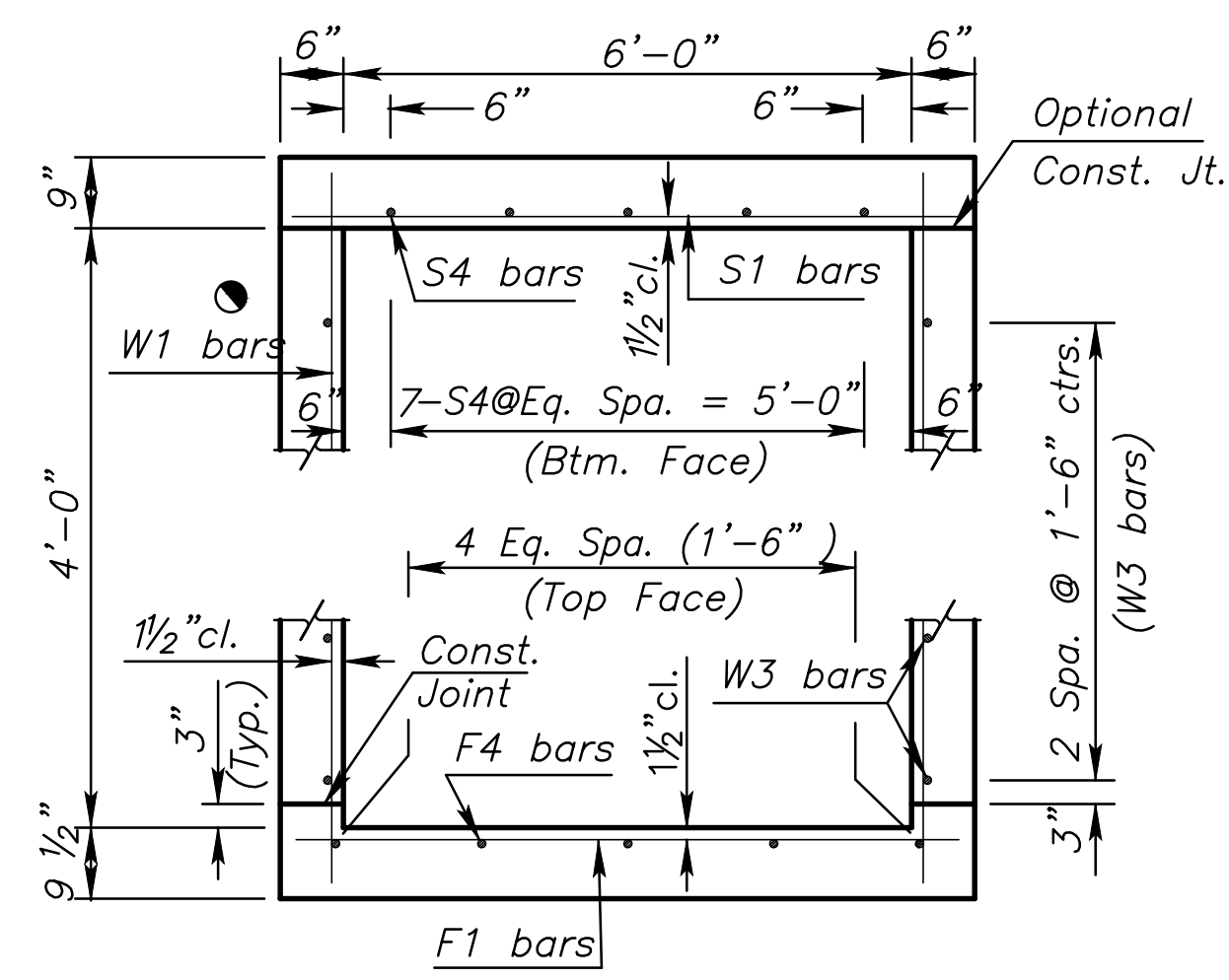
BAR SCHEDULE										
*F1			*F4			S1				
Size	Spa.	No.	Length	Size	No.	Length	Size	Spa.	No.	Length
6	6 1/2"	32	6'-8"	4	7	17'-4"	6	6 1/2"	32	6'-8"
*S4			W1			*W3				
Size	No.	Length	Size	Spa.	No.	Length	Size	No.	Length	
5	5	17'-4"	4	9"	46	5'-3"	4	6	17'-4"	
G1			G2							
Size	No.	Length	Size	No.	Length					
5	2	6'-8"	5	2	6'-11"					

CULVERT SUMMARY						
Floor Elev. Lt.	Floor Elev. Rt.	Crown Gr. Elev.	Right Wings	Scour Apron	Soil Saver	
1373.09	1372.50	1358.33	FLARED	YES	NO	
Concrete			Reinf. Steel (Gr. 60)			
Barrel (Cu. Yds.)	Wings (Cu. Yds.)	Total (Cu. Yds.)	Barrel (Lbs.)	Wings (Lbs.)	Total (Lbs.)	
9.8	6.43	16.2	1056	386	1442	

● includes any apron welded wire fabric

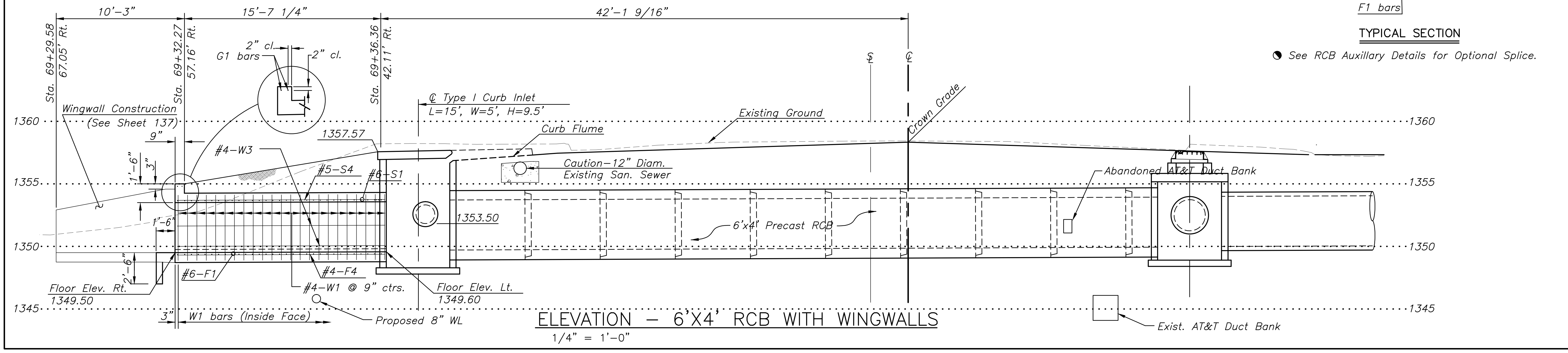
GENERAL NOTES

LOADING: HS20-44 AASHTO Specifications, 1983 Edition.
UNIT STRESSES: Grade 4.0 Concrete; $f'_c = 4,000$ p.s.i.
 Reinforcing Steel; $f_y = 60,000$ p.s.i.
CONCRETE: Grade 4.0 (AE) Concrete shall be used throughout. Bevel all exposed edges with a 3/4 inch triangular moulding.
REINFORCING: All reinforcing shall conform to ASTM A615, Grade 60. All dimensions relative to reinforcing steel shall be to centerline of bar unless otherwise noted.
EXCAVATION: Excavation for culverts less than bridge length shall not be paid for directly but shall be subsidiary to Grade 4.0 Concrete.
FOUNDATION STABILIZATION: The Foundation Stabilization quantity has been calculated to the limits shown on the "RCB Auxiliary Details" sheet. The depth may be increased by the Engineer. Use Foundation Stabilization on all wingwalls unless founded on rock or granular material.



TYPICAL SECTION

● See RCB Auxiliary Details for Optional Splice.



ELEVATION - 6'x4' RCB WITH WINGWALLS
1/4" = 1'-0"

13TH STREET NORTH FROM KANSAS TO OLIVER

CITY OF WICHITA, KANSAS
6'x4' RCB DETAILS
13TH STREET NORTH AT YALE BLVD.

POE & ASSOCIATES, INC.
CONSULTING ENGINEERS
5940 E. Central, Suite 200 • Wichita, KS 67208-4242
Phone 316/685-4114 • FAX 316/685-4444

ENGINEER: P. FERUGUSON
DESIGNER: P. FERUGUSON
CITY Job No.: 472-84320
Poe Job No.: 1871
Date: March 2012

Sheet
135 of 374