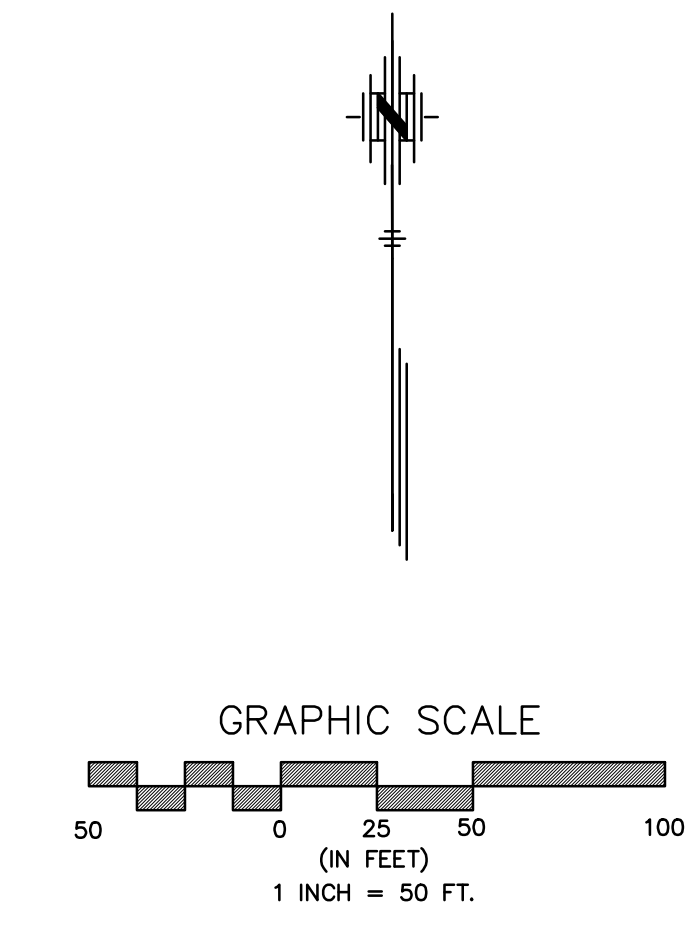
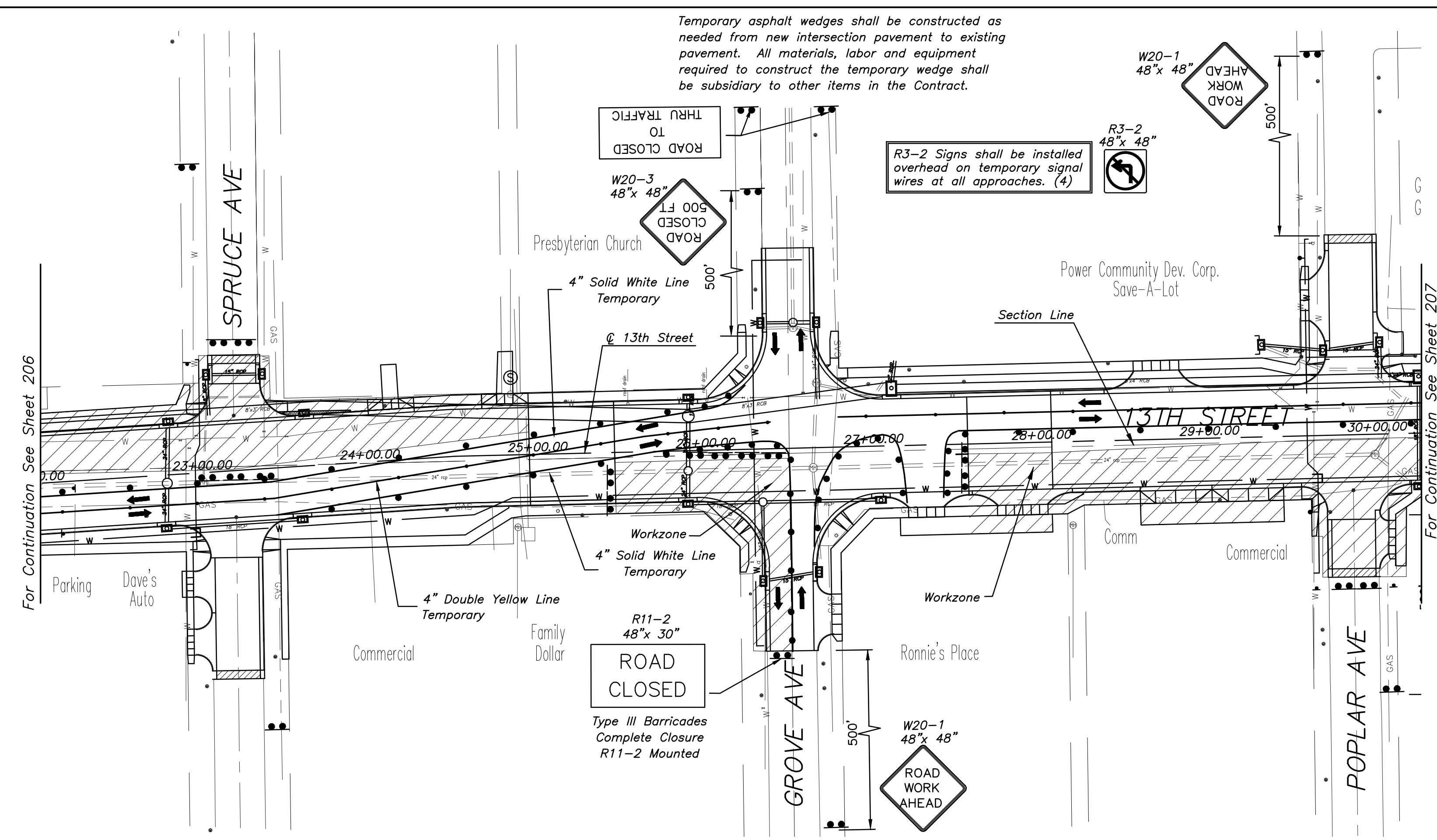
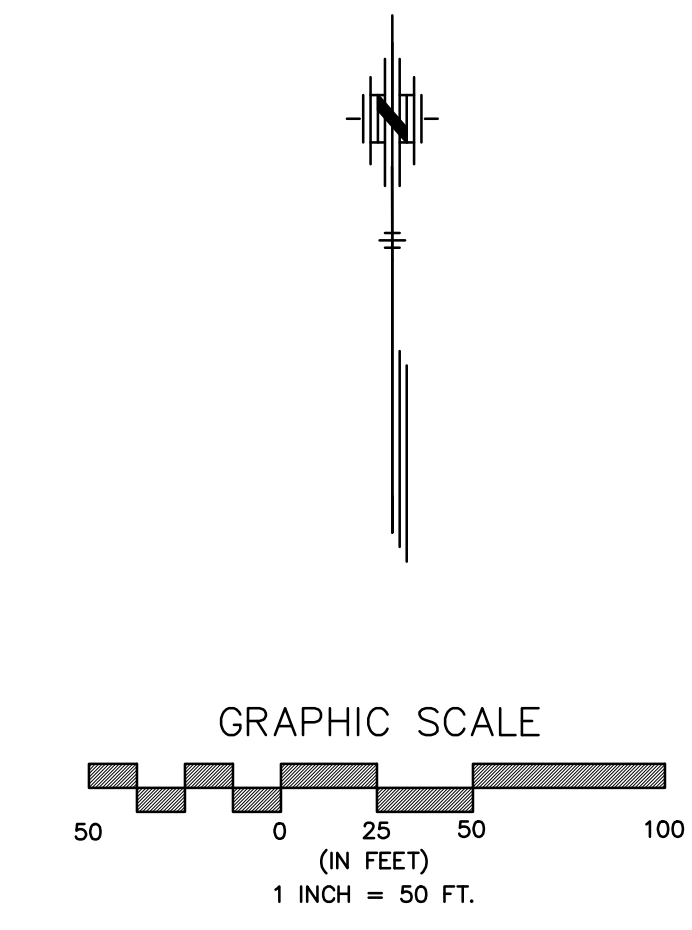
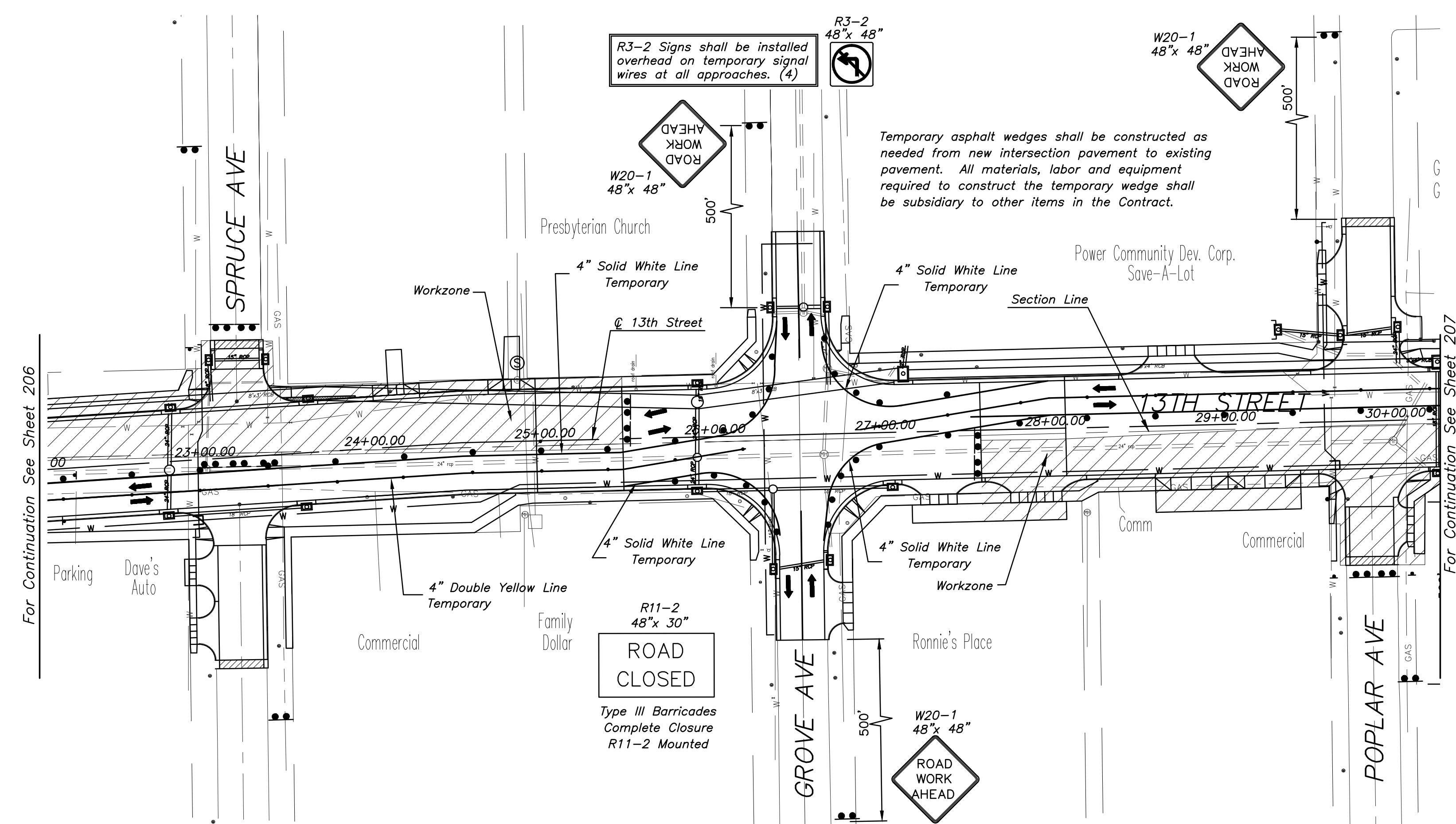


For Continuation See Sheet 206



GROVE PHASE 3A

For Continuation See Sheet 206

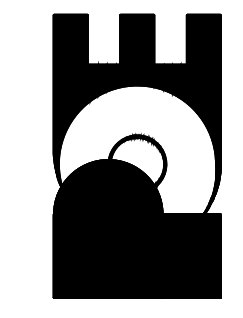


GROVE PHASE 3B

No.	Date	By	Approved	Revision

13TH STREET NORTH FROM KANSAS TO OLIVER
TRAFFIC CONTROL - PHASE 3
CITY OF WICHITA, KANSAS

POE & ASSOCIATES, INC.
CONSULTING ENGINEERS
5940 E. Central, Suite 200 • Wichita, KS 67208-4242
Phone 316/685-4114 • FAX 316/685-4444



FINAL

Engineer: P. FERGUSON
Designer: P. FERGUSON
CITY Job No.: 472-84320
Date: March, 2012
Poe Job No.: 1871