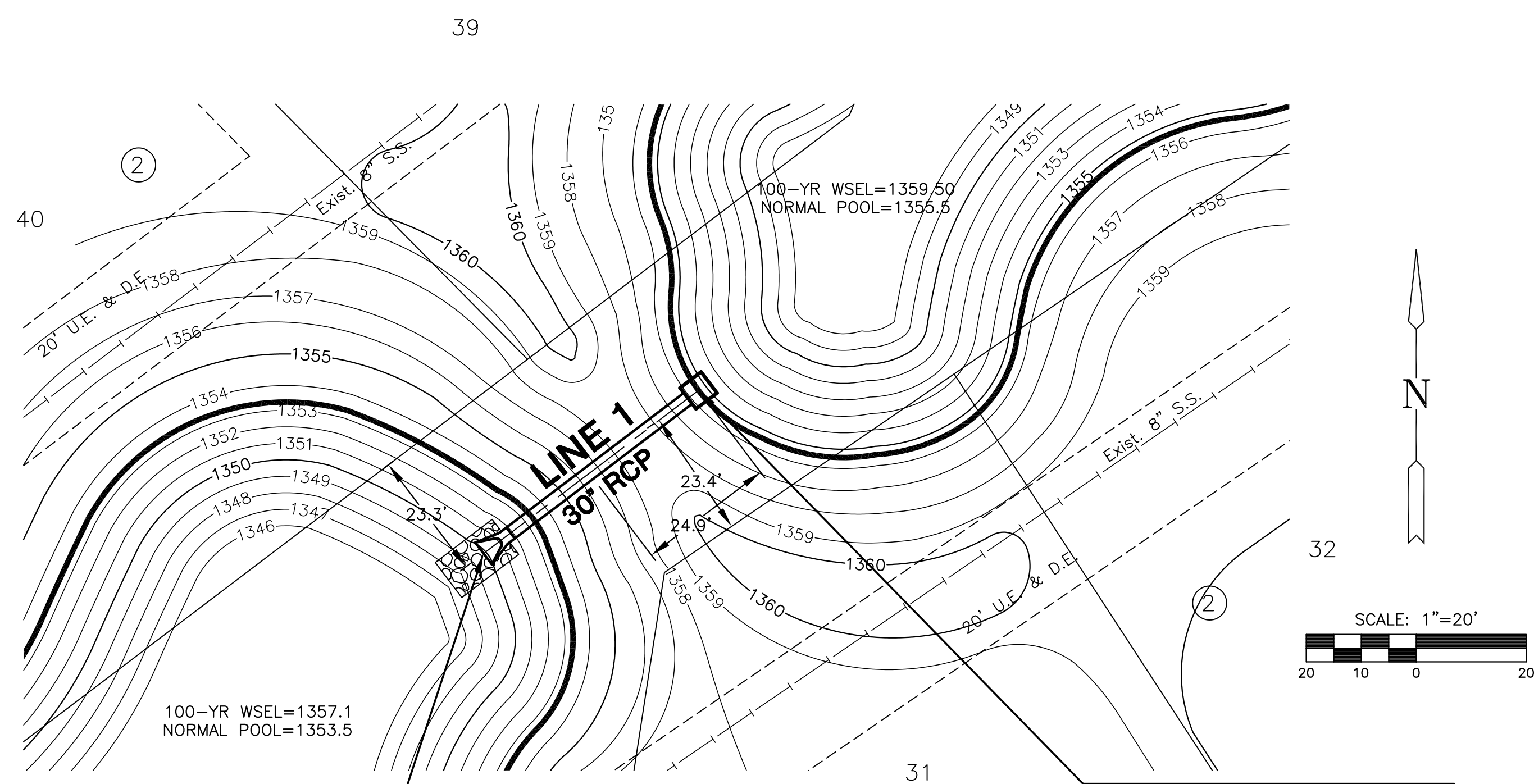


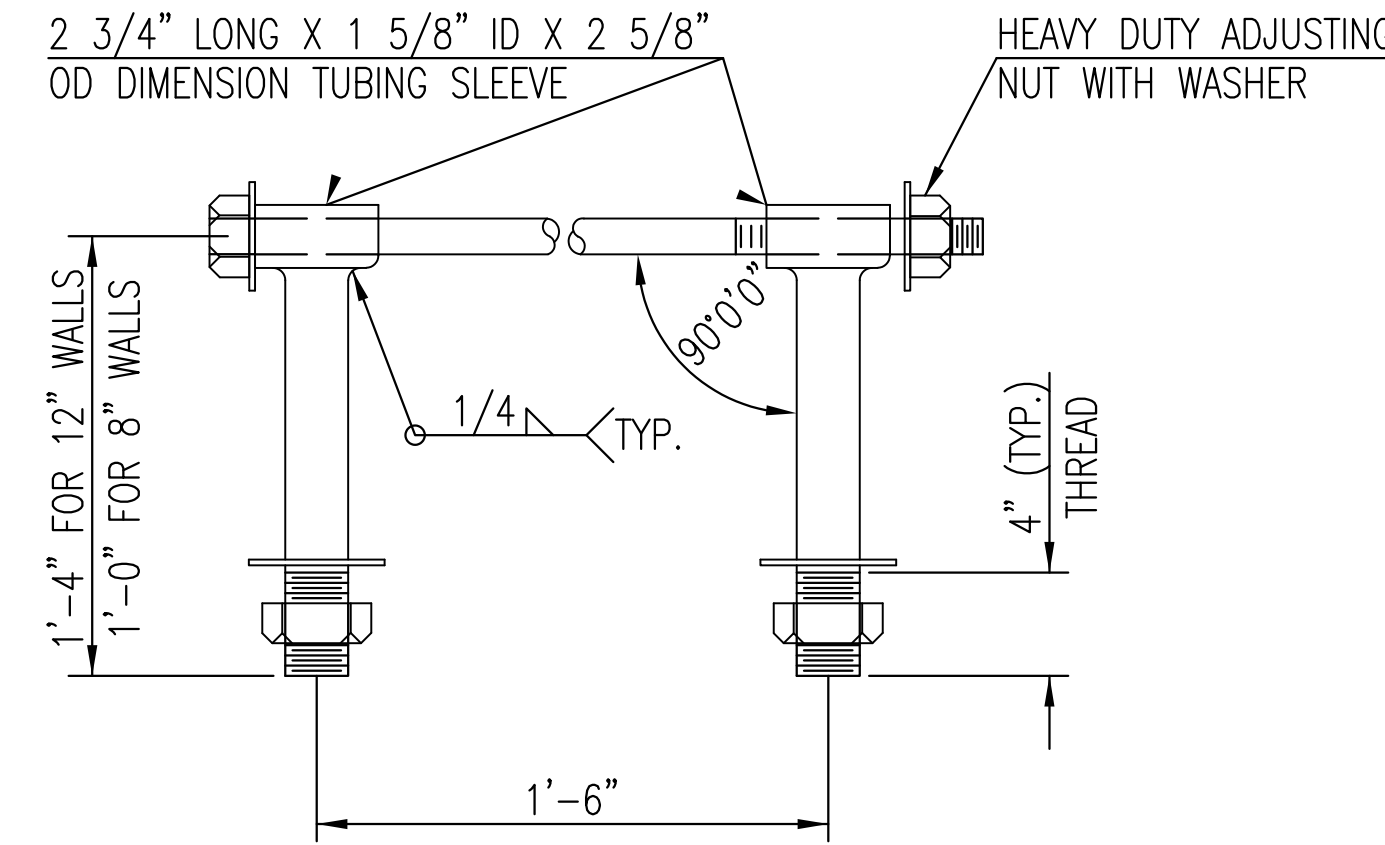
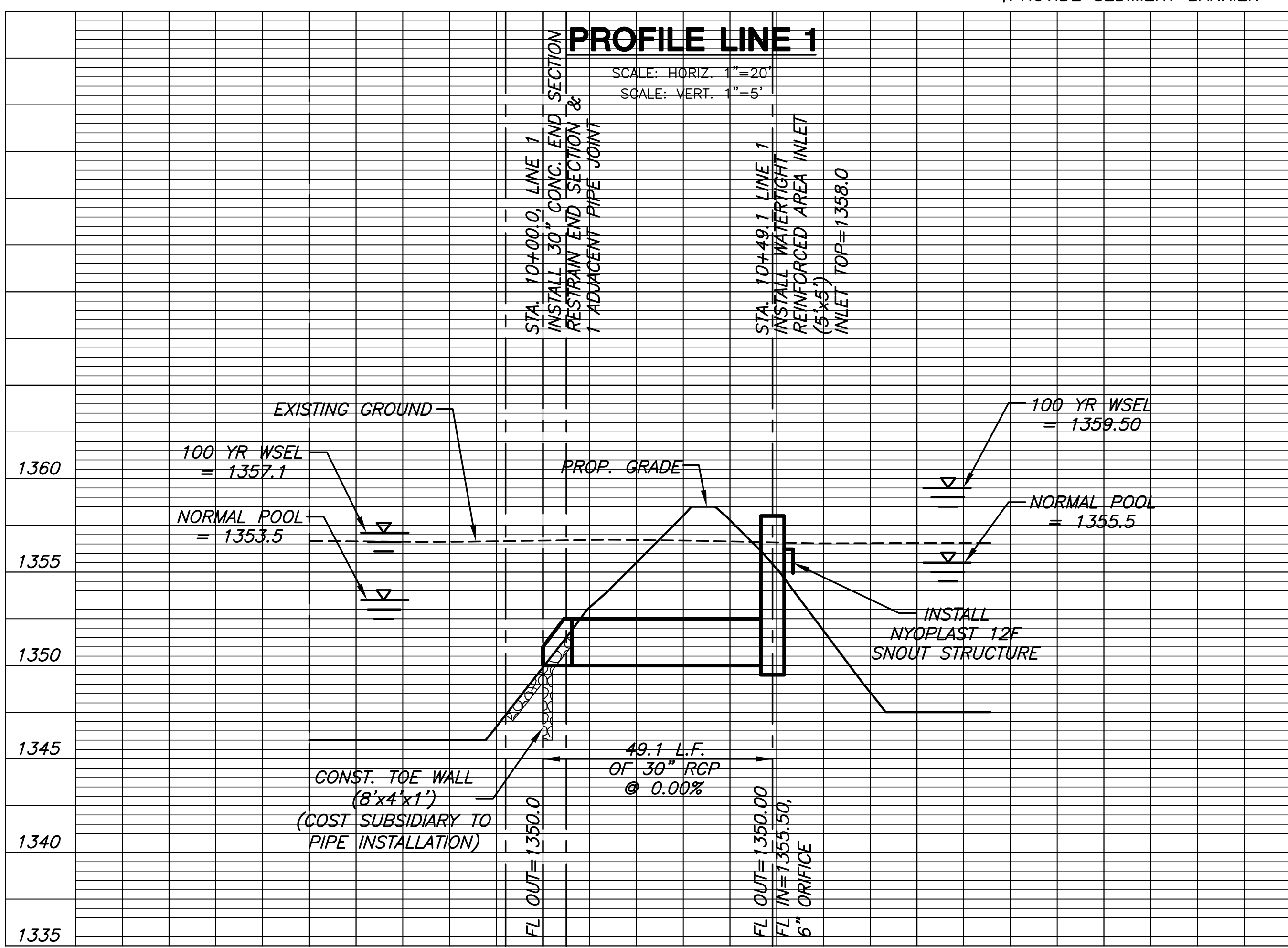
SWD 321
KRUG SOUTH ADDITION
PHASE 2



STA. 10+00, LINE 1
INSTALL 30" CONCRETE
RESTRAINED END SECTION
W/TOE WALL (8'x4'x1')

STA. 10+49.1, LINE 1
INSTALL WATERTIGHT
REINFORCED AREA INLET (5'x5')
w/6" ORIFICE & NYOPLAST
12F SNOUT STRUCTURE
6" ORIFICE FL=1355.5
INLET TOP=1358.00
PROVIDE SEDIMENT BARRIER

PLAN LINE 1

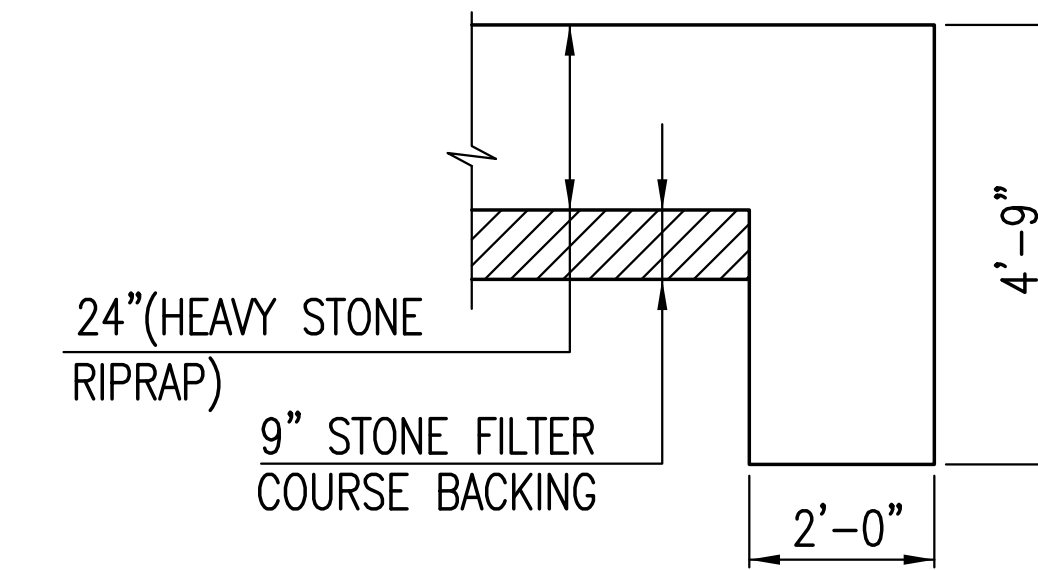


HEAVY DUTY (H.D.) COUPLER

NO SCALE

NOTES

- BOLTS TO BE A-36 1 1/2" DIAMETER.
- BOLTS, NUTS, WASHERS AND SLEEVES TO BE ZINC PLATED.
- WASHERS TO BE 3 1/2" O.D. X 7 GAUGE.
- SHIP WITH NUTS AND WASHERS PLACED ON BOLTS.



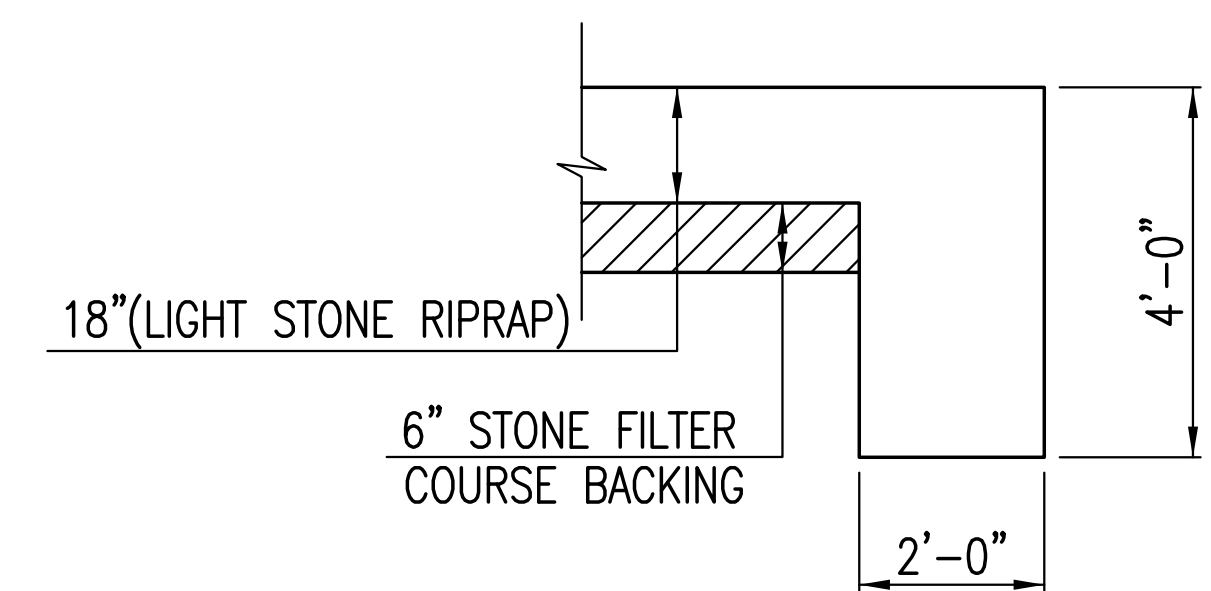
TYPICAL SECTION THRU TOEWALL

NO SCALE

NOTES

- ALL RIPRAP FOR THIS PROJECT SHALL BE NATURAL STONE. NEITHER BROKEN CONCRETE, FABRIC ENVELOPE, NOR PREMIXED DRY PACKAGED CONCRETE BAG ALTERNATES WILL BE ALLOWED, UNLESS INDICATED OTHERWISE.
- TOEWALLS SHALL BE INSTALLED ALONG ALL UNPROTECTED EDGES OF STONE RIPRAP.
- GROUTING OF THE SURFACE OF THE RIPRAP SHALL NOT BE PERFORMED, UNLESS INDICATED OTHERWISE. GROUTING OF THE TOEWALLS SHALL BE PERFORMED PER CITY SPECIFICATIONS.

HEAVY STONE RIPRAP DETAILS



TYPICAL SECTION THRU TOEWALL

NO SCALE

NOTES

- ALL RIPRAP FOR THIS PROJECT SHALL BE NATURAL STONE. NEITHER BROKEN CONCRETE, FABRIC ENVELOPE, NOR PREMIXED DRY PACKAGED CONCRETE BAG ALTERNATES WILL BE ALLOWED, UNLESS INDICATED OTHERWISE.
- TOEWALLS SHALL BE INSTALLED ALONG ALL UNPROTECTED EDGES OF STONE RIPRAP.
- GROUTING OF THE SURFACE OF THE RIPRAP SHALL NOT BE PERFORMED, UNLESS INDICATED OTHERWISE. GROUTING OF THE TOEWALLS SHALL BE PERFORMED PER CITY SPECIFICATIONS.

LIGHT STONE RIPRAP DETAILS

LINE 1
SHEET TITLE
468-84328
PROJECT NUMBER

DFL / KKL / GJA
DESIGNED / DRAWN / CHECKED

ISSUED
July 2012

REVISED