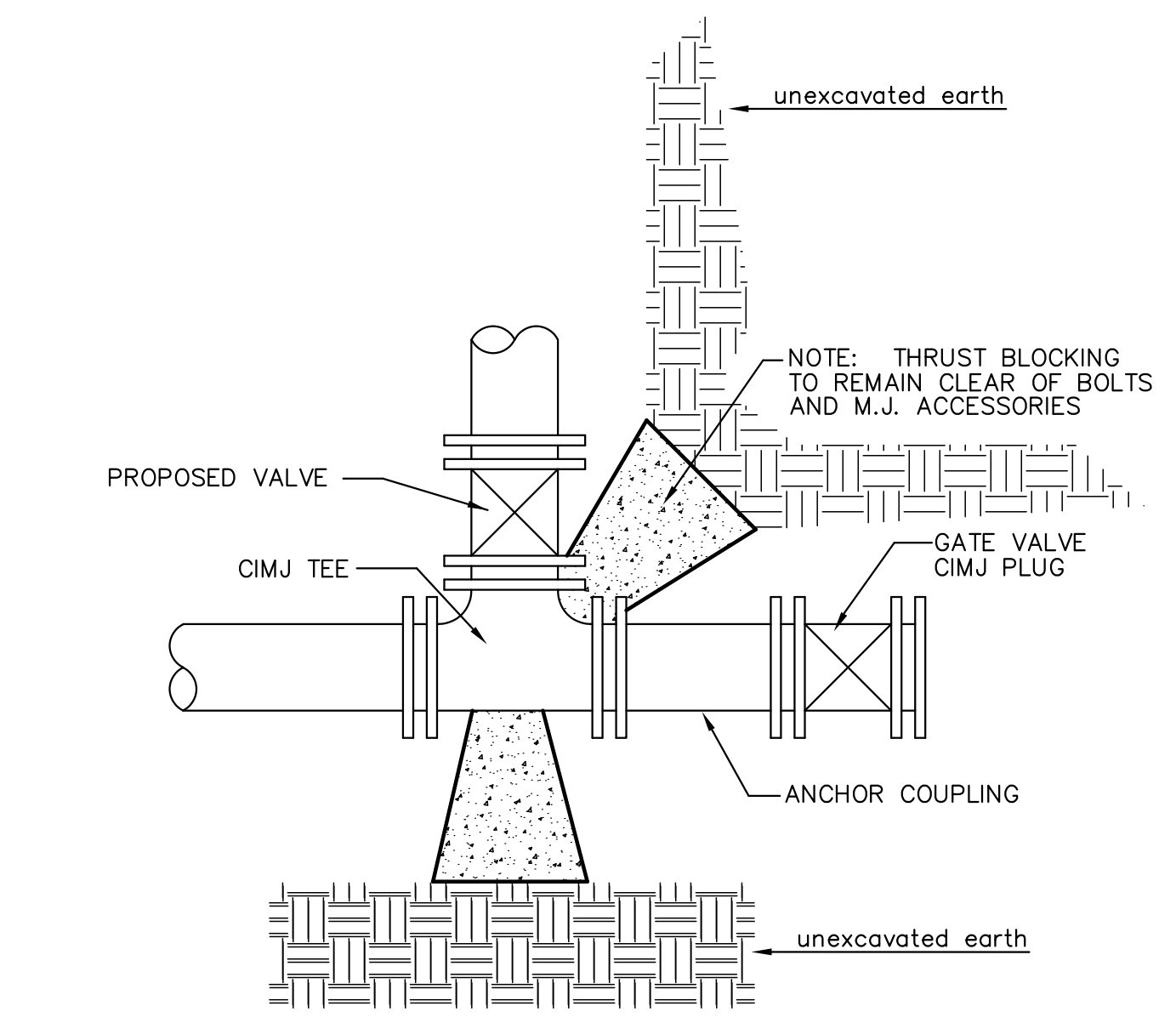
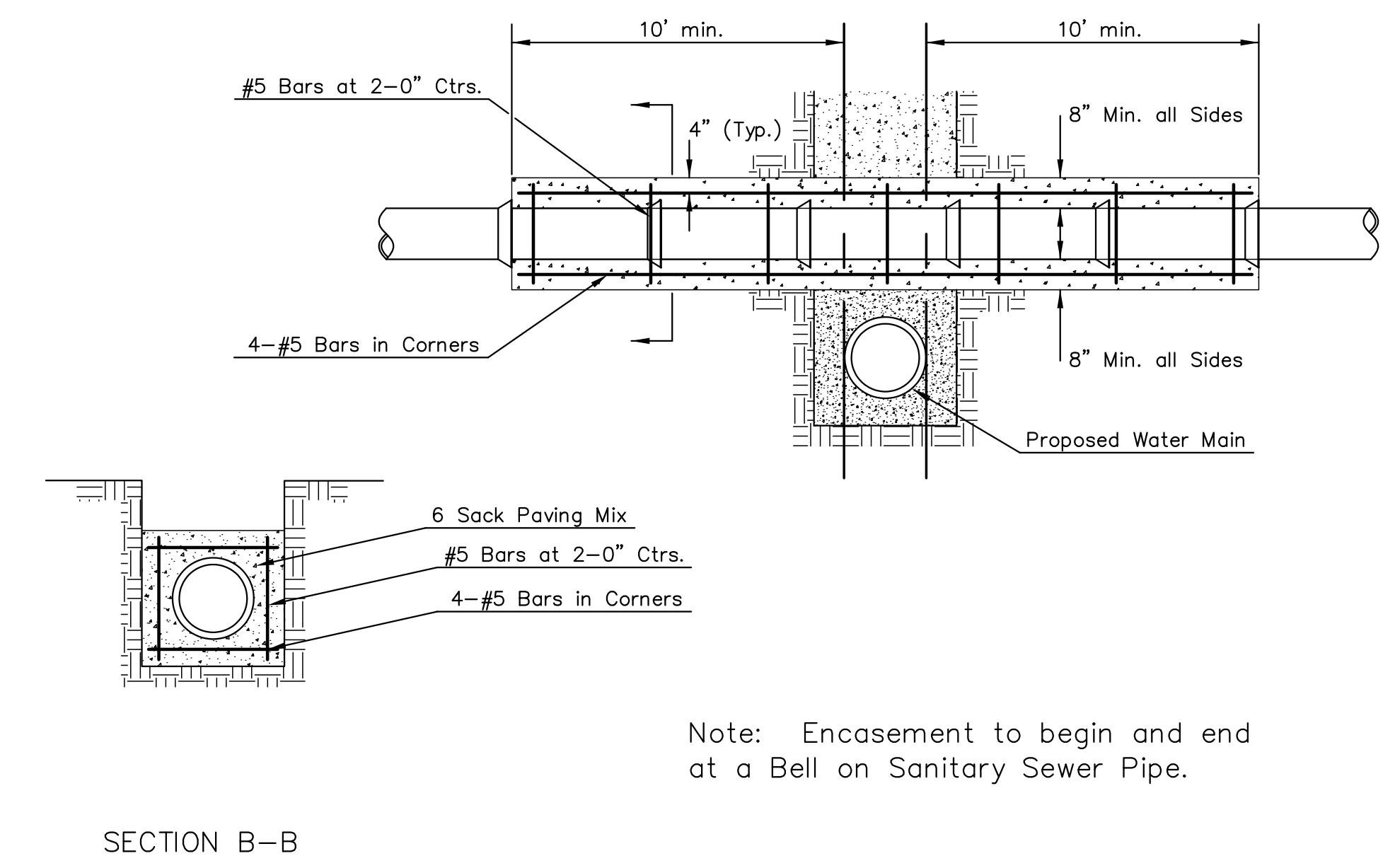
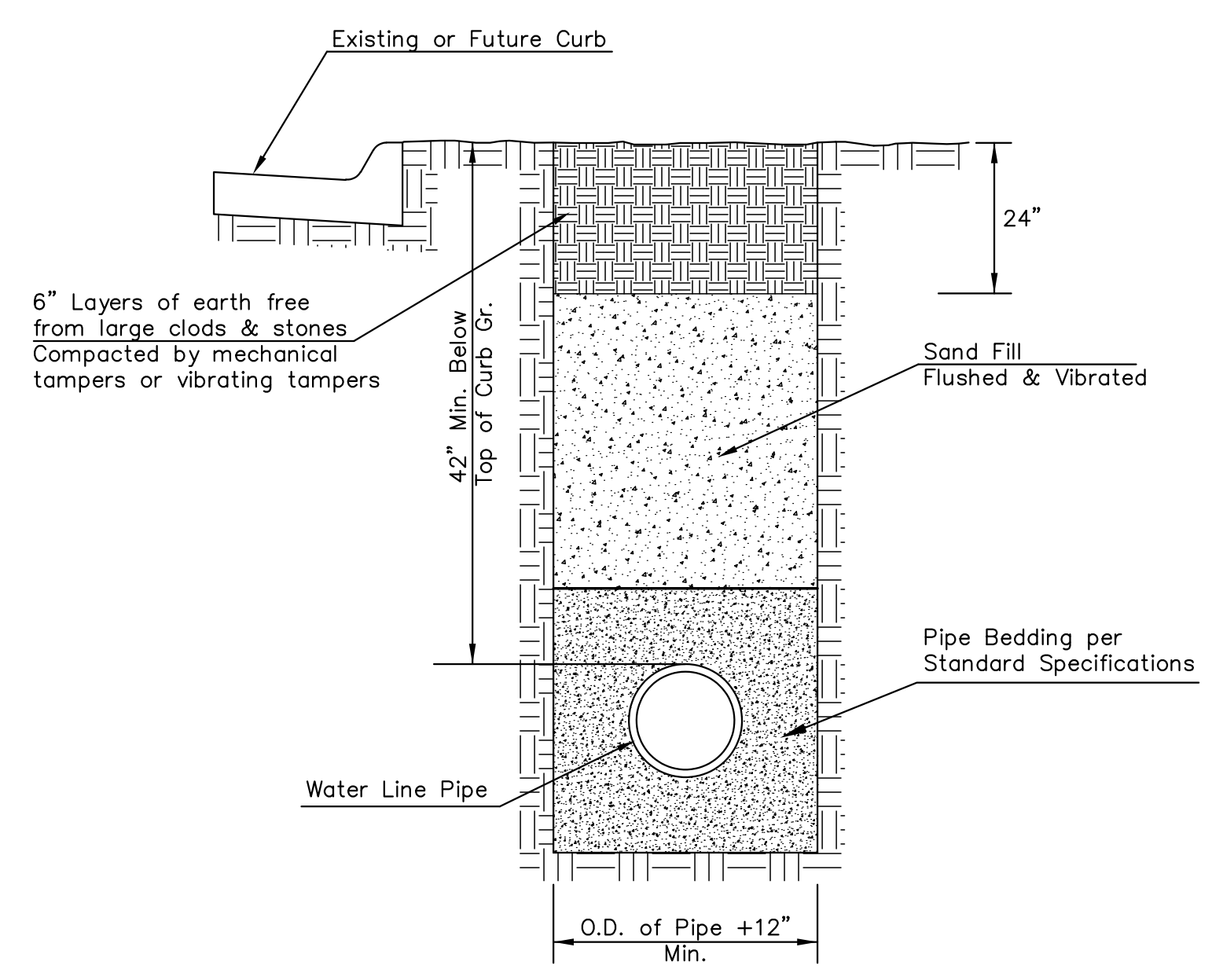


TYPICAL THRUST BLOCKS

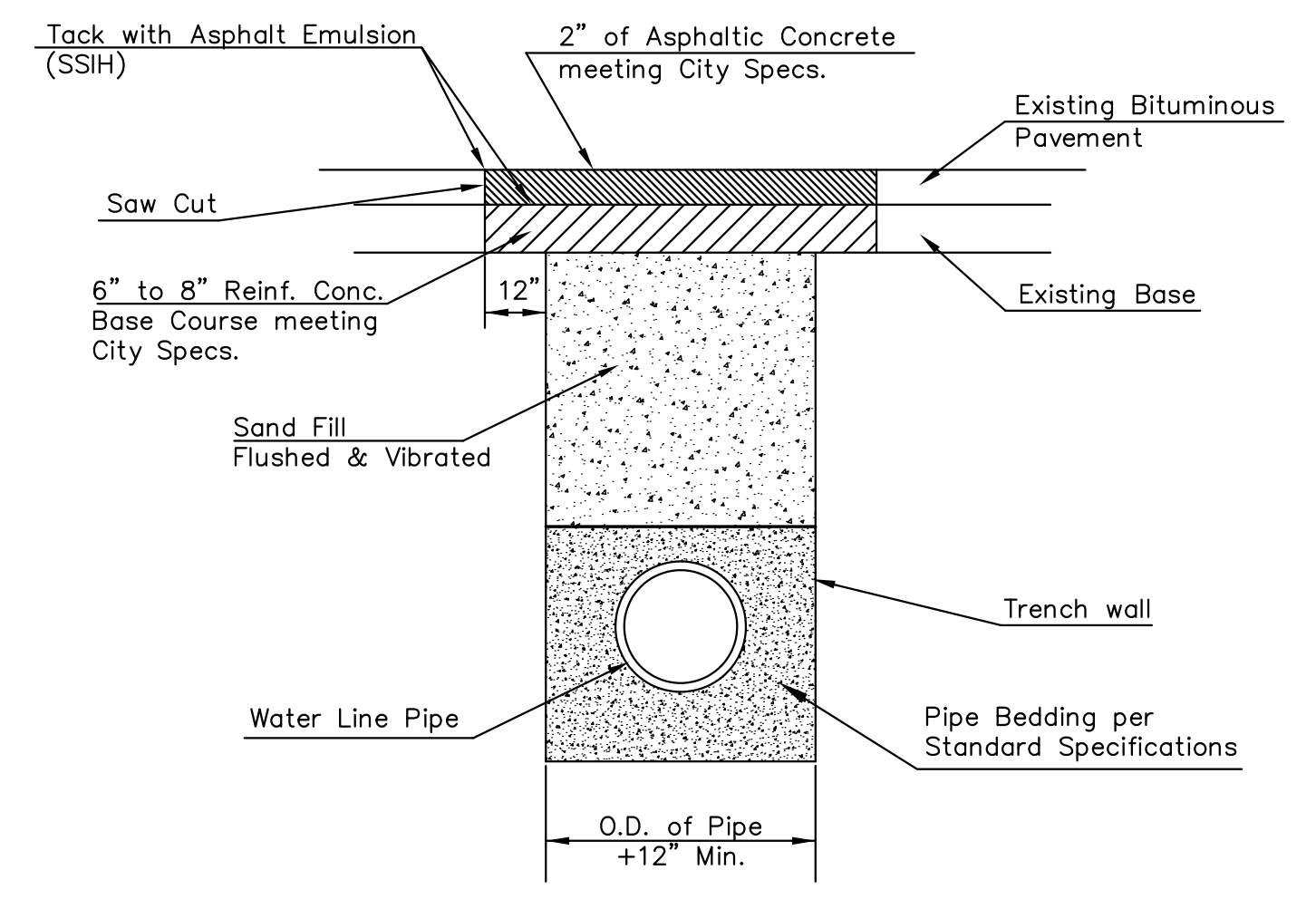


TRENCH COMPACTION IN ROAD RIGHT-OF-WAY

PAVEMENT REPLACEMENT & TRENCH COMPACTION UNDER EXISTING AND PROPOSED CITY ROADS UNLESS OTHERWISE NOTED ON PLANS



REINFORCED CONCRETE ENCASEMENT OF SANITARY SEWER



MISCELLANEOUS WATER DETAILS		
INTERIM CITY ENGINEER GARY L. JANZEN, P.E.		
PROJECT NUMBER 448-90217	OCA NUMBER 635808	DATE 01/2012
CITY ENGINEER'S OFFICE CITY HALL - SEVENTH FLOOR 455 NORTH MAIN STREET WICHITA, KANSAS 67202-1620 (316) 268-4501		DESIGN DRAWN SHEET 6 of 37