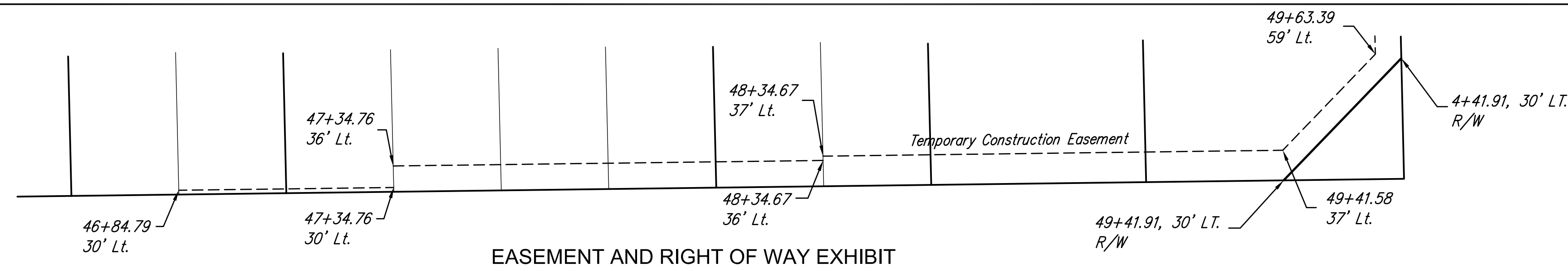
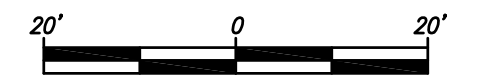
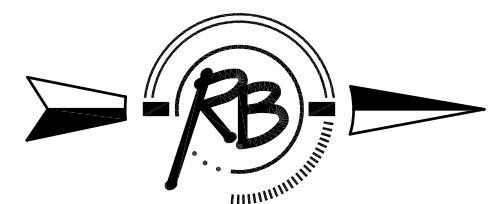
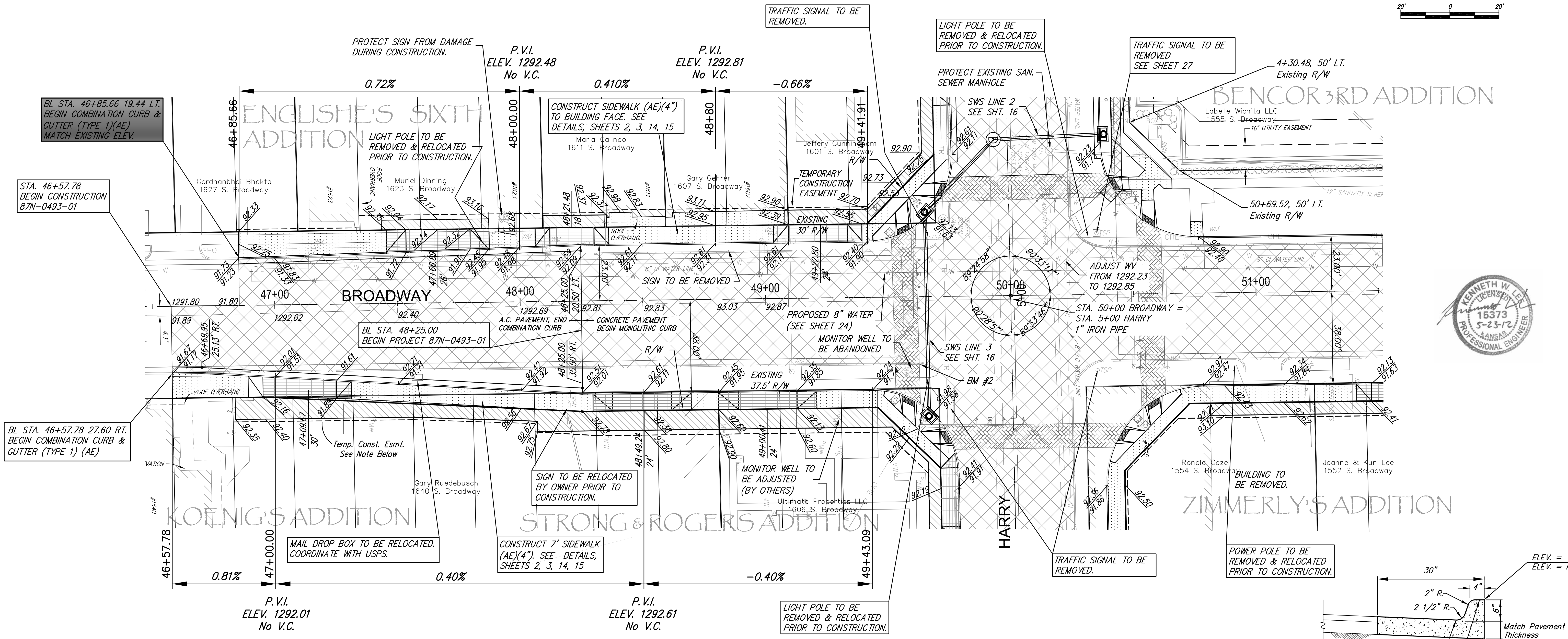


FHWA REGION NO.	STATE	PROJECT NUMBER	FISCAL YEAR	SHEET NUMBER	TOTAL SHEETS
7	KANSAS	87N-0493-01	2012	5	59

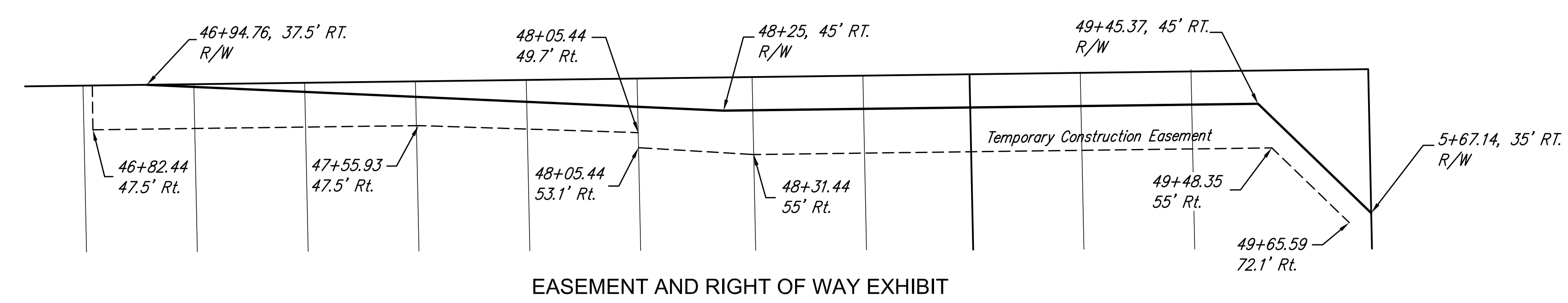
HSP Proj. No. N049 (301)



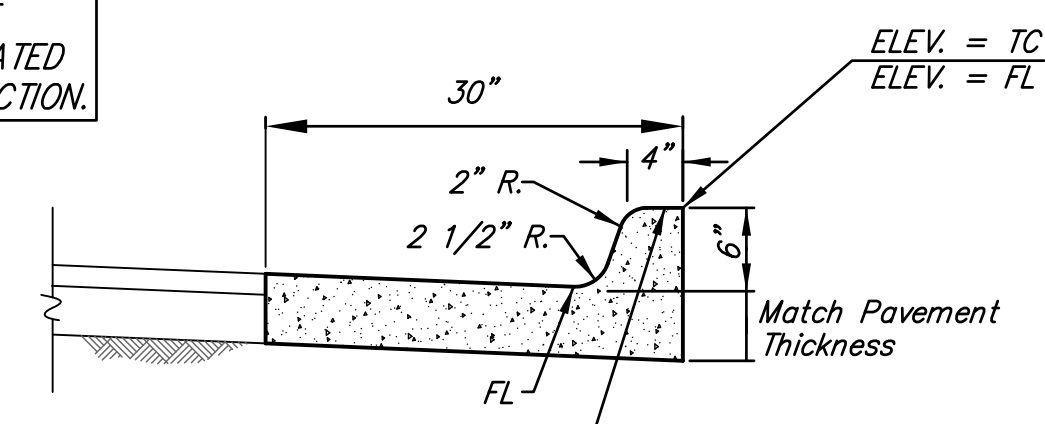
EASEMENT AND RIGHT OF WAY EXHIBIT



- LEGEND**
- Pavement to be removed
  - Concrete Driveway
  - Concrete Sidewalk Construction 4"
  - Brick Paver Surfacing
  - 5" Unreinf. Concrete
  - 6" Reinf. Rock Base
  - Pavement to be removed and Replaced 6" A.C. Pavement



EASEMENT AND RIGHT OF WAY EXHIBIT



COMBINED CURB & GUTTER

**HARRY AND BROADWAY IMPROVEMENTS  
BROADWAY  
WICHITA, KANSAS**

**Ruggles & Bohm, P.A.**  
Engineering, Surveying, Land Planning

924 North Main  
Wichita, Kansas 67203  
www.rbkansas.com

(316) 264-8008  
(316) 264-4621 fax  
E-mail: info@rbkansas.com

DESIGN: KWL  
DRAWN: [blank]  
REVIEW: [blank]  
UTILITY: [blank]  
DATE: May 23, 2012

PROJECT NUMBER: [blank]  
SHEET: 5 OF 59  
JOB NO: 3576T