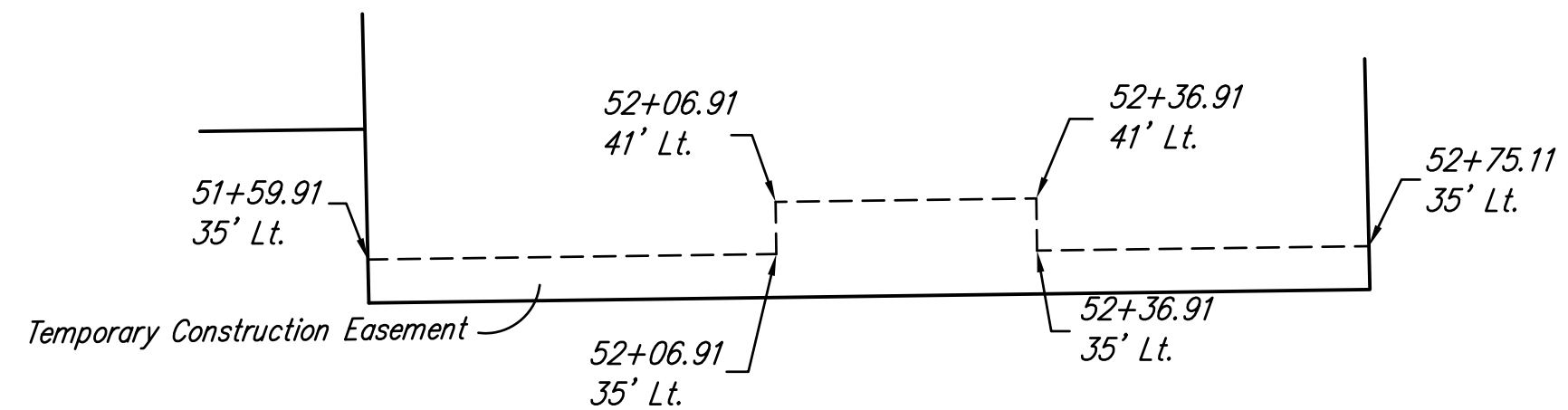
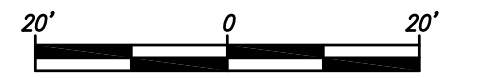
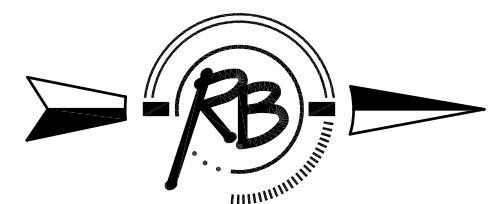
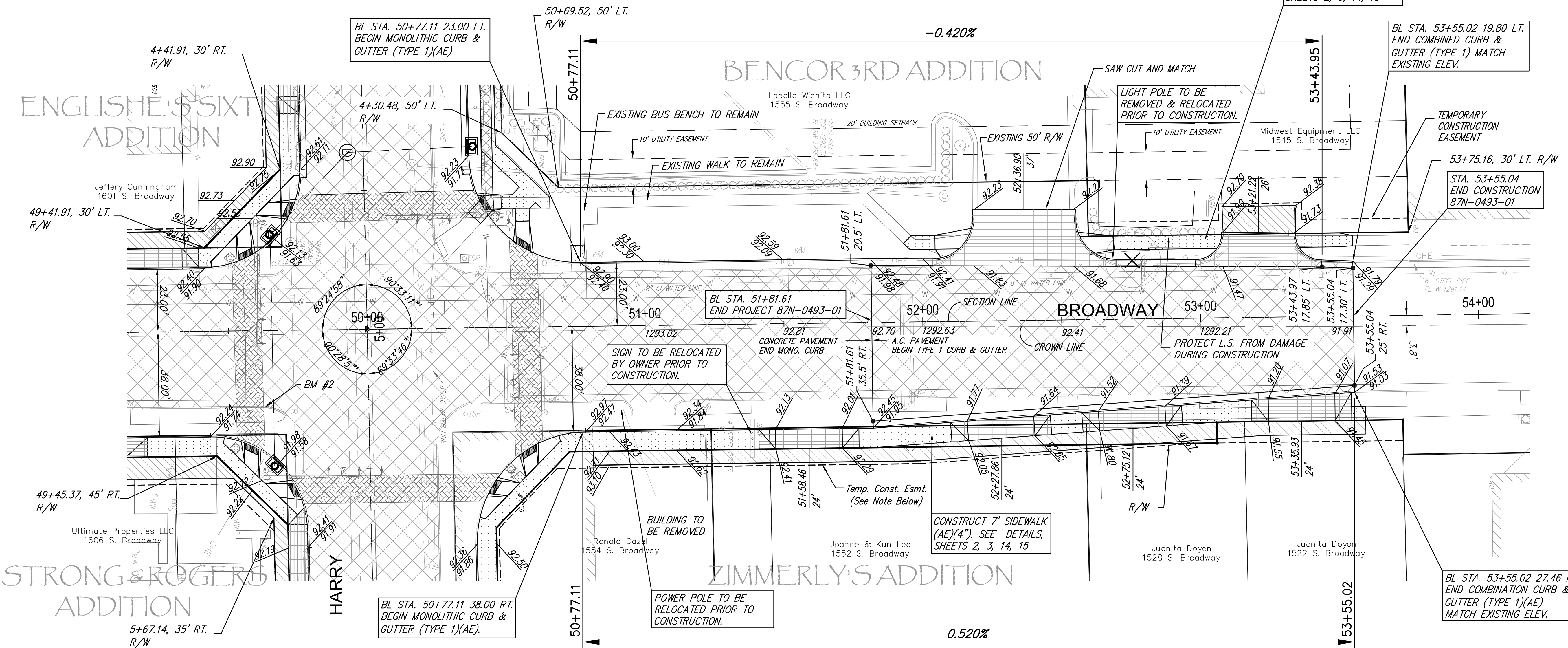


FHWA REGION NO.	STATE	PROJECT NUMBER	FISCAL YEAR	SHEET NUMBER	TOTAL SHEETS
7	KANSAS	87N-0493-01	2012	6	59

HSP Proj. No. N049 (301)

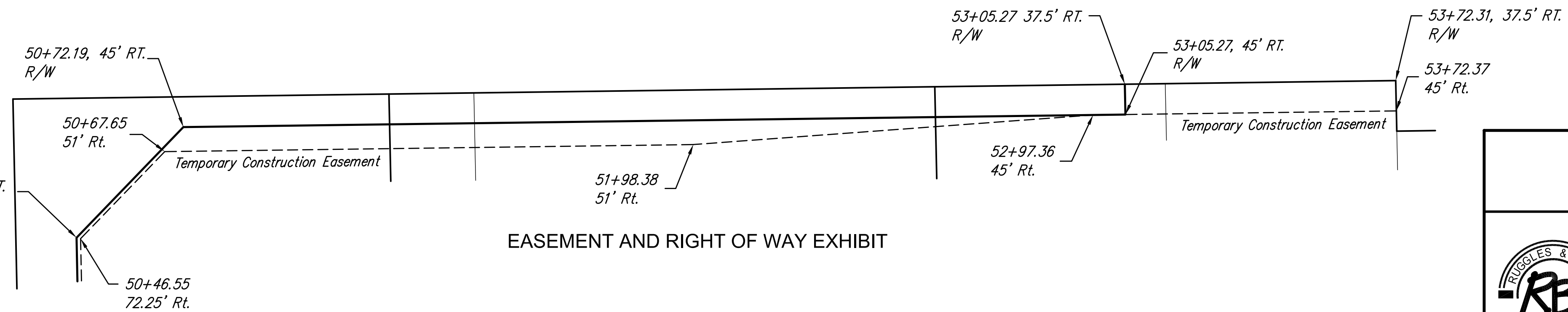


EASEMENT EXHIBIT



LEGEND

- Pavement to be removed
- Concrete Driveway
- Concrete Sidewalk Construction 4"
- Brick Paver Surfacing
- 5" Unrein. Concrete
- 6" Reinf. Rock Base
- Pavement to be removed and Replaced 6" A.C. Pavement



EASEMENT AND RIGHT OF WAY EXHIBIT

**HARRY AND BROADWAY IMPROVEMENTS
BROADWAY
WICHITA, KANSAS**

Ruggles & Bohm, P.A.
Engineering, Surveying, Land Planning
924 North Main
Wichita, Kansas 67203
www.rbkansas.com

DESIGN: KWL
DRAWN: .
REVIEW: .
UTILITY: .
DATE: May 23, 2012

PROJECT NUMBER: .
SHEET: 6 OF 59

DRAWING FILE: ENG BASE (BROADWAY 2) PROJECT NUMBER: . DATE: May 23, 2012