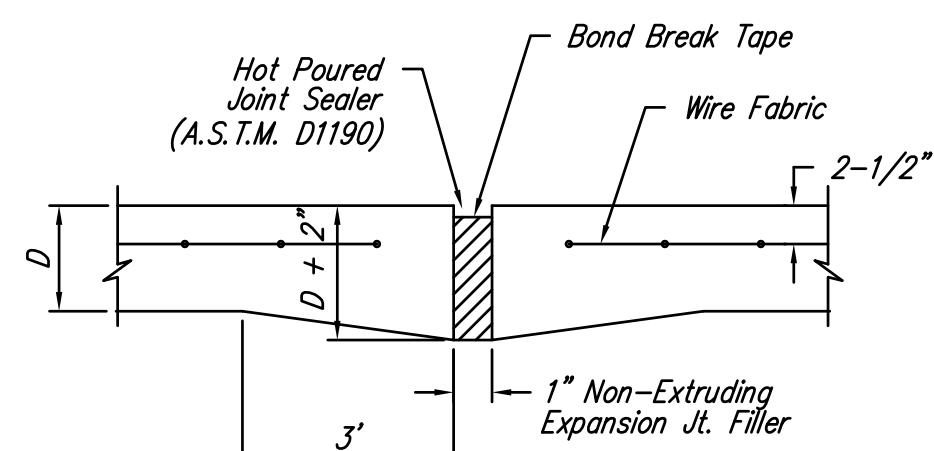


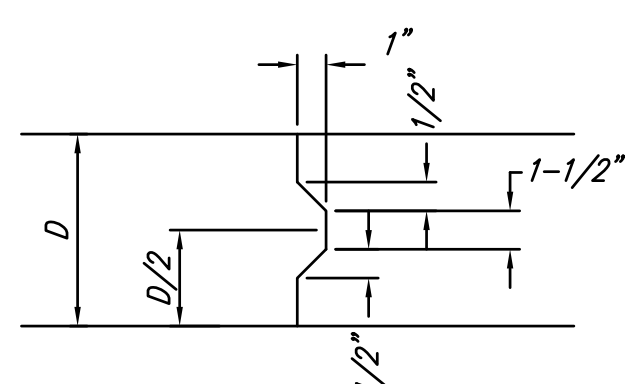
FHWA REGION NO.	STATE	PROJECT NUMBER	FISCAL YEAR	SHEET NUMBER	TOTAL SHEETS
7	KANSAS	87N-0493-01	2012	9	59

HSIP Proj. No. N049 (301)

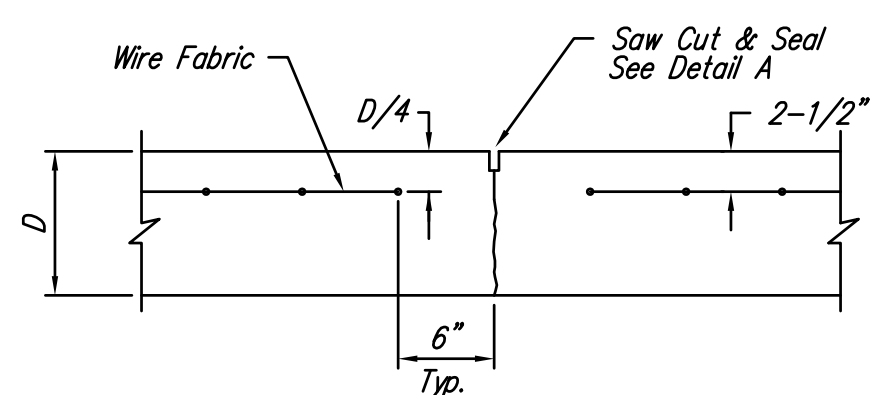


EXPANSION JOINT

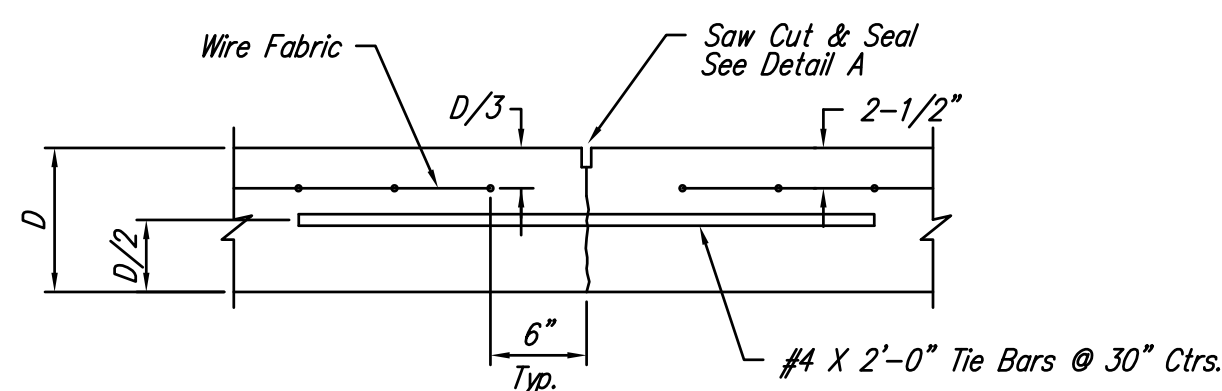
NOTE: Extra Thickness to be Subsidiary to Price of Square Yards Pavement



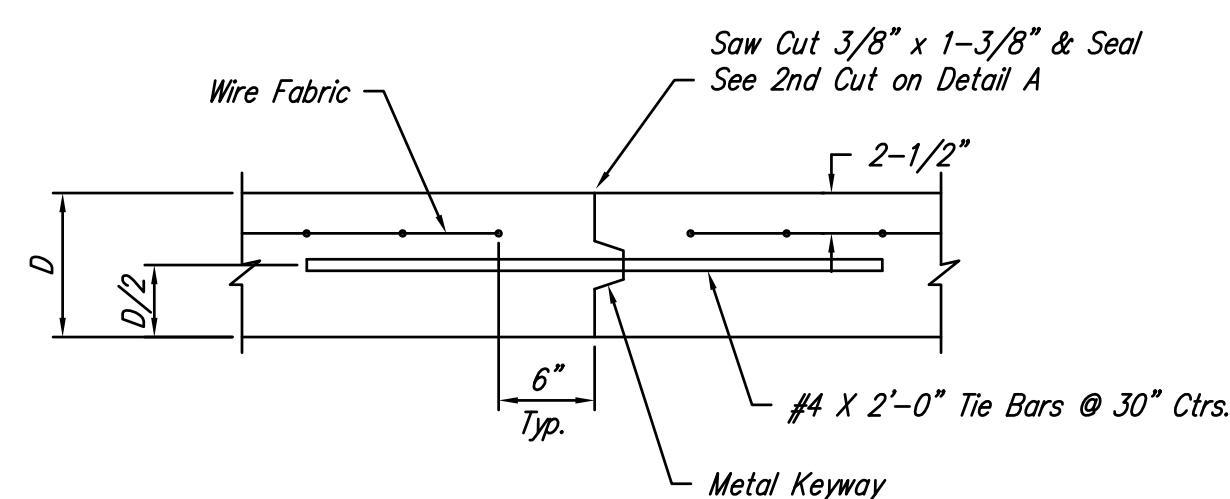
KEYWAY DETAIL



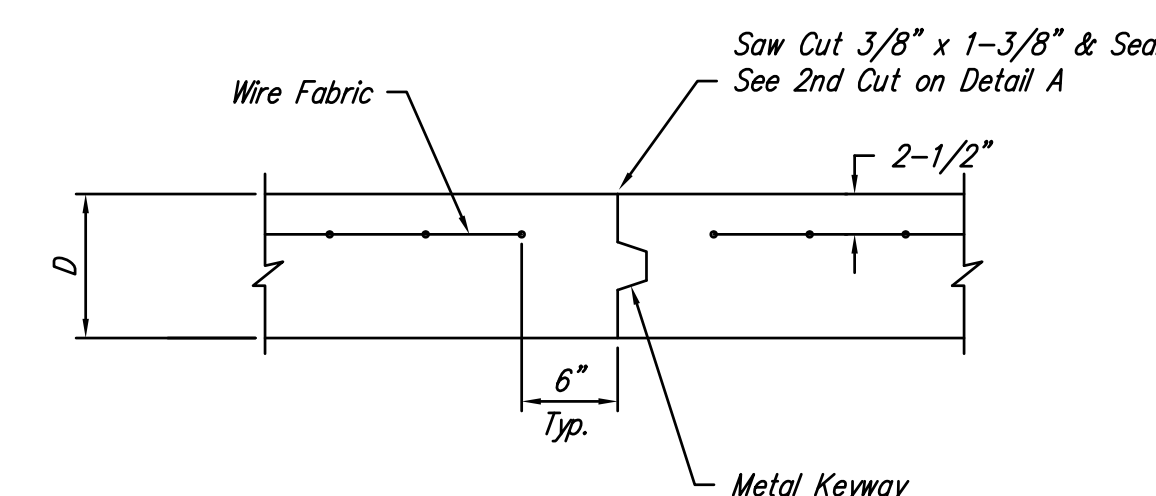
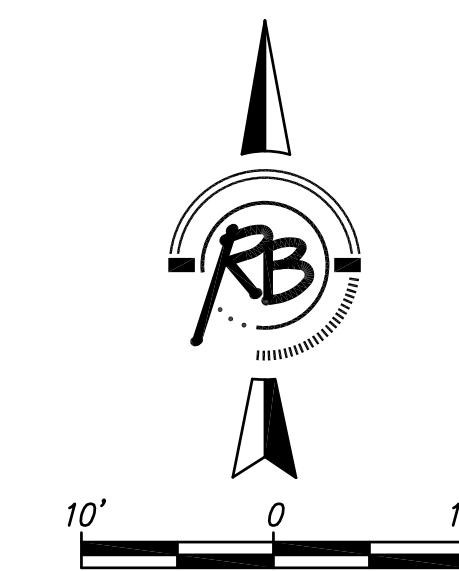
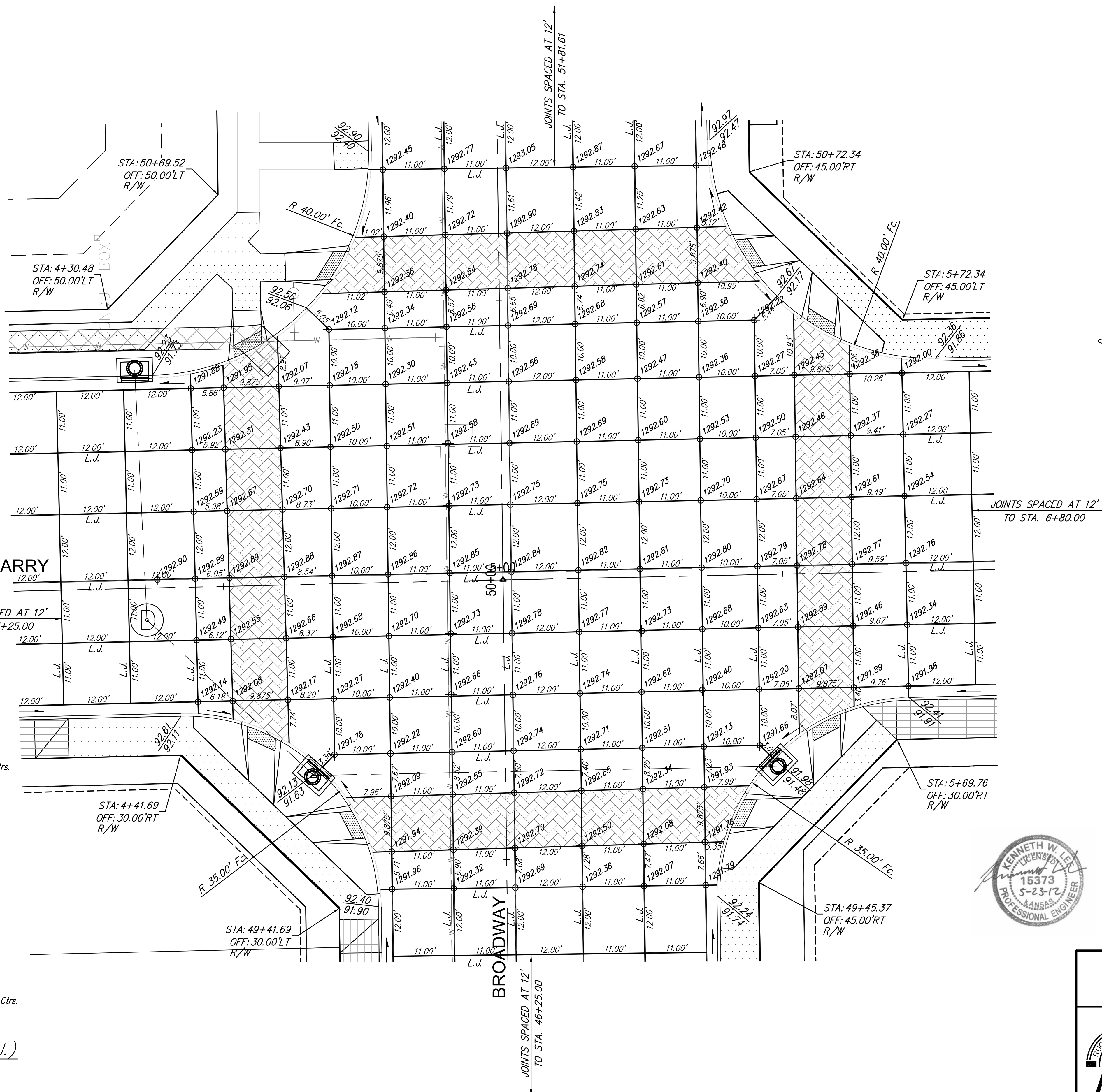
CONTRACTION JOINT DETAIL (C.J.)



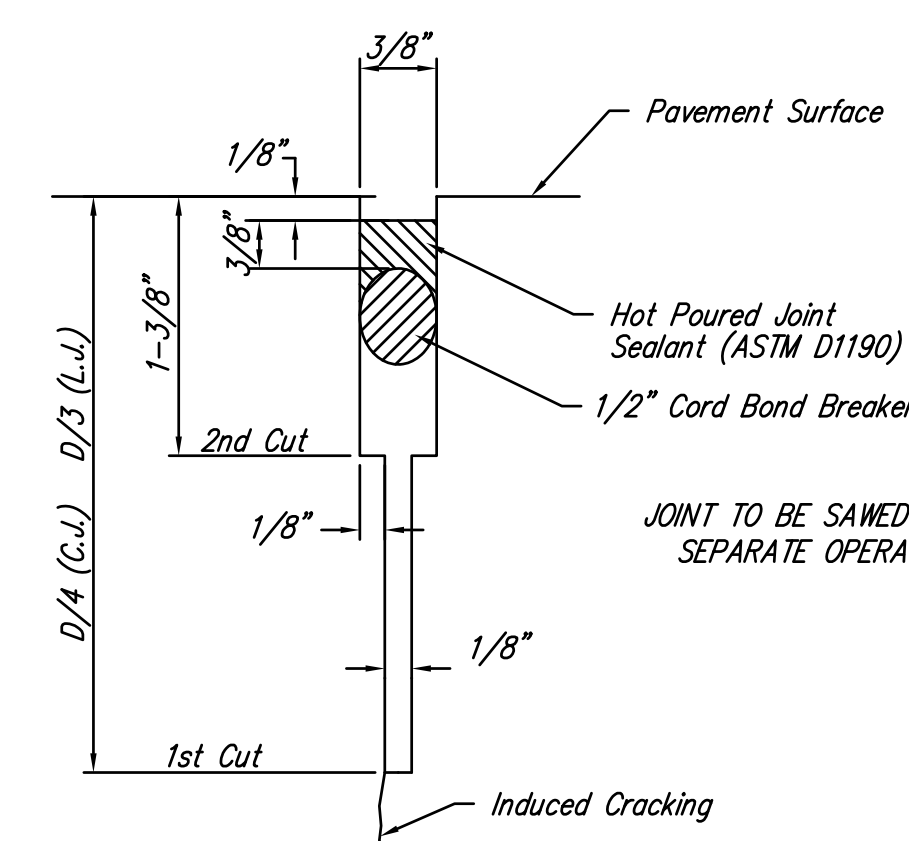
LONGITUDINAL JOINT DETAIL (L.J.)



OPTIONAL LONGITUDINAL JOINT DETAIL (L.J.)



OPTIONAL CONTRACTION JOINT



**SAW JOINT DETAIL
DETAIL 'A'**



HARRY AND BROADWAY IMPROVEMENTS INTERSECTION PLANS WICHITA, KANSAS		 Ruggles & Bohm, P.A. Engineering, Surveying, Land Planning 924 North Main Wichita, Kansas 67203 www.rbkansas.com (316) 264-8008 (316) 264-4621 fax E-mail: info@rbkansas.com	DESIGN KWL	SHEET 9 OF 59
DRAWING FILE ENG BASE (INTERSECTION)			PROJECT NUMBER	