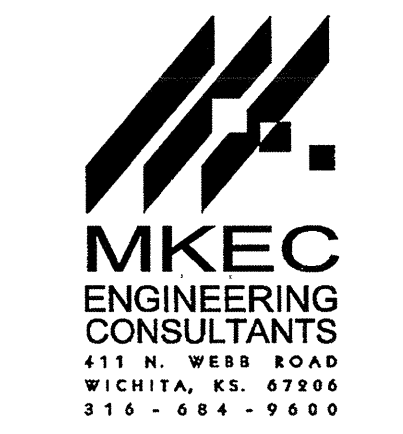


SCHAEFER JOHNSON COX FREY ARCHITECTURE
 Empire Center
 257 N. Broadway
 Wichita, Kansas
 972.02.2317
 Fax: 972.02.2317
 www.sjcf.com
 architect@sjcf.com



MKEC ENGINEERING CONSULTANTS
 111 N. WALK ROAD
 WICHITA, KS. 67206
 316 - 264 - 9800

GREATER WICHITA YMCA
FARHA SPORTS CENTER ADDITION
 3405 S. MERIDIAN
 WICHITA, KANSAS 67217

©2006
 Schaefer Johnson Cox Frey & Associates, P.A.
 All Rights Reserved.
 These drawings and their contents, including, but not limited to, all concepts, designs, & ideas are the exclusive property of Schaefer Johnson Cox Frey (SJCF) and may not be used or reproduced in any way without the express consent of SJCF.

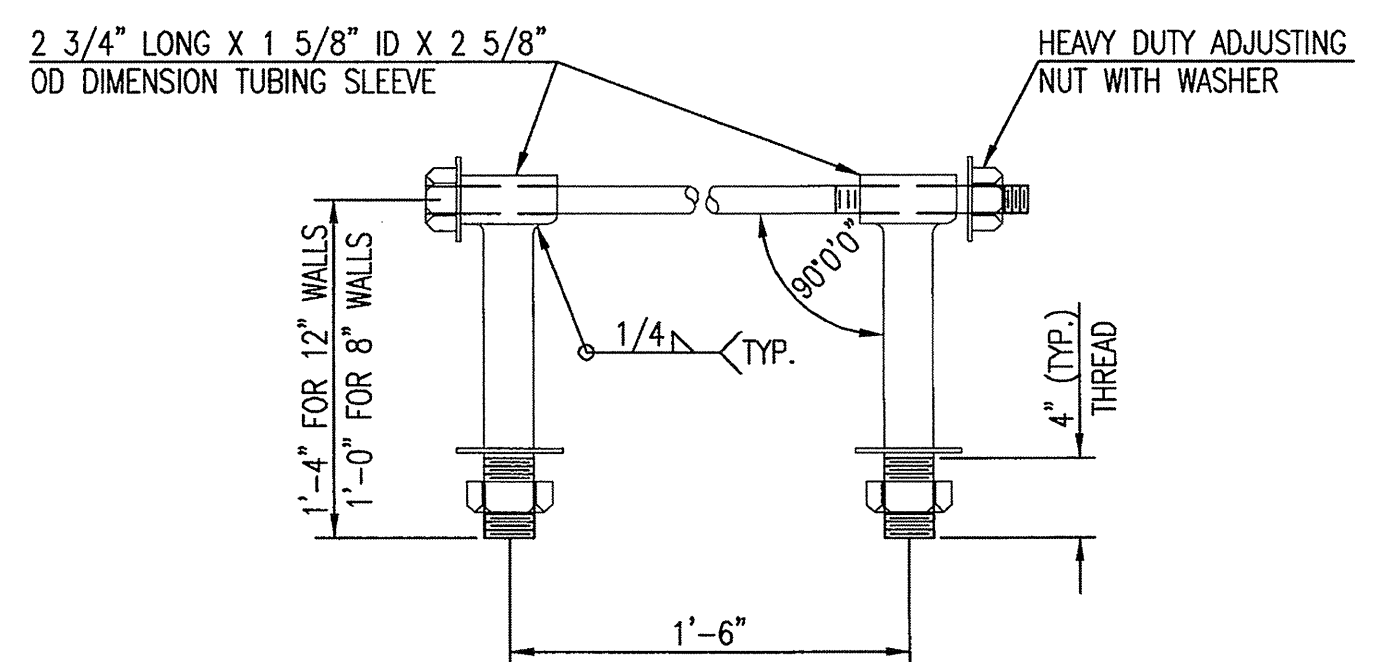
Revisions	
△	△
△	△
△	△
△	△
△	△

Project Number
SJCF 2913.10

Date
14 MAR 2012

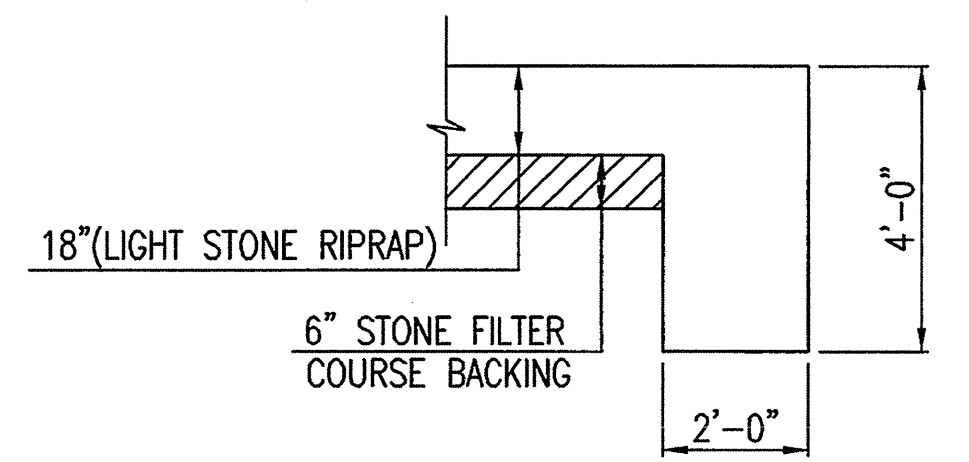
MISC. SWS DTLS.

CS2.1



HEAVY DUTY (H.D.) COUPLER
 FOR RESTRAINED END SECTION
 NO SCALE

- NOTES
1. BOLTS TO BE A-36 1 1/2" DIAMETER.
 2. BOLTS, NUTS, WASHERS AND SLEEVES TO BE ZINC PLATED.
 3. WASHERS TO BE 3 1/2" O.D. X 7 GAUGE.
 4. SHIP WITH NUTS AND WASHERS PLACED ON BOLTS.



TYPICAL SECTION THRU TOEWALL
 NO SCALE

- NOTES
1. ALL RIPRAP FOR THIS PROJECT SHALL BE NATURAL STONE. NEITHER BROKEN CONCRETE, FABRIC ENVELOPE, NOR PREMIXED DRY PACKAGED CONCRETE BAG ALTERNATES WILL BE ALLOWED, UNLESS INDICATED OTHERWISE.
 2. TOEWALLS SHALL BE INSTALLED ALONG ALL UNPROTECTED EDGES OF STONE RIPRAP.
 3. GROUTING OF THE SURFACE OF THE RIPRAP SHALL NOT BE PERFORMED, UNLESS INDICATED OTHERWISE. GROUTING OF THE TOEWALLS SHALL BE PERFORMED PER CITY SPECIFICATIONS.

LIGHT STONE RIPRAP DETAILS



MISCELLANEOUS DETAILS (STORM SEWER)		
CITY ENGINEER JAMES L. ARMOUR, P.E., L.S.		
PROJECT NUMBER	OCA NUMBER	DATE
	607861	11/2010
CITY ENGINEER'S OFFICE CITY HALL - SEVENTH FLOOR 455 NORTH MAIN STREET WICHITA, KANSAS 67202-1620 (316) 268-4501		DESIGN DRAWN
		SHEET 4 of 10

Drawn: 05-17-2012 8:22:35 AM by: MWSMND
 Checked: 05-17-2012 8:22:35 AM by: JEROME WISSEN
 Job: 05-17-2012 8:22:35 AM by: JEROME WISSEN