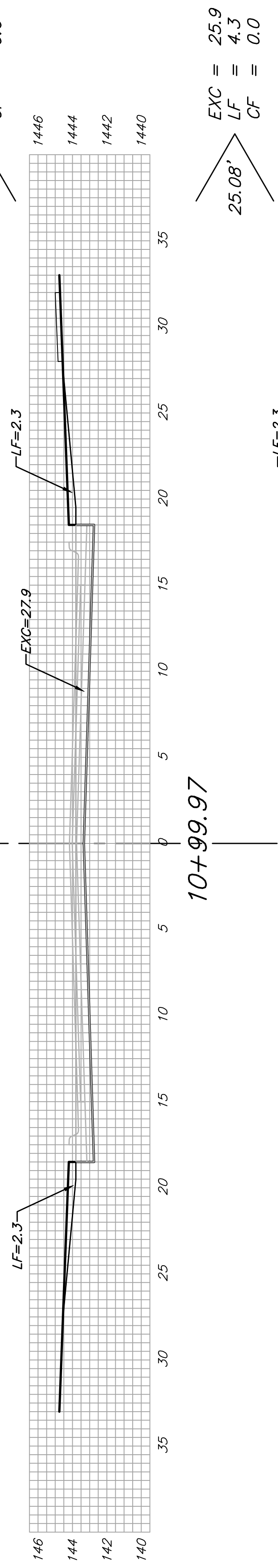
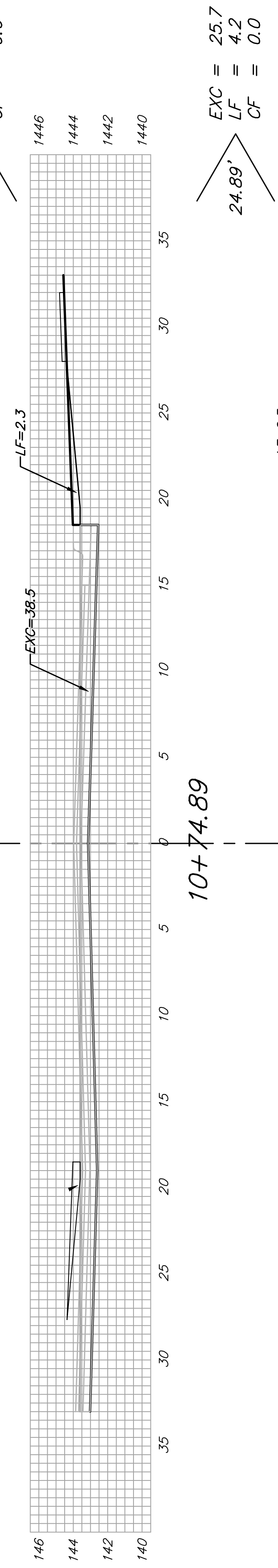


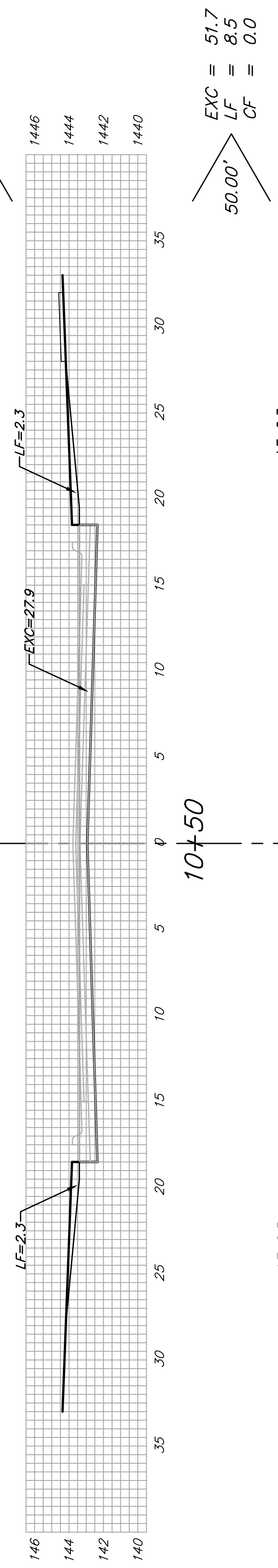
11+34.45



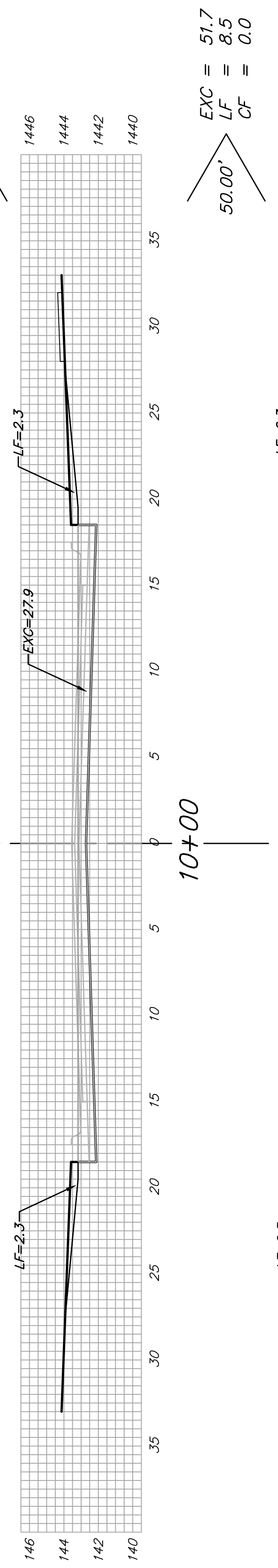
10+99.97



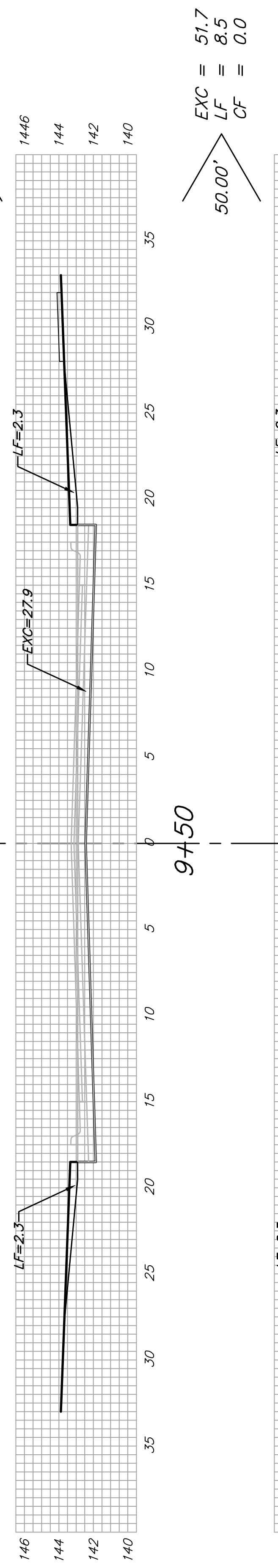
10+74.89



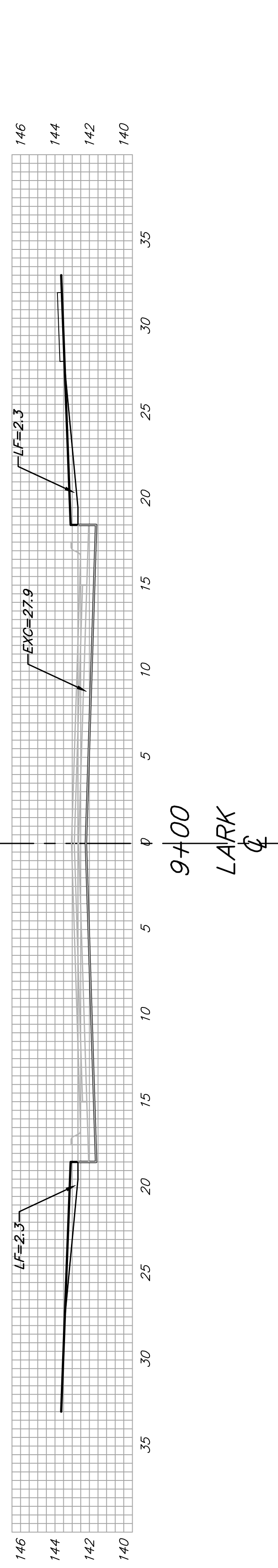
10+50



10+00



9+50



9+00

LARK  
Q

Sheet Totals:  
Excavation = 242.4 C.Y.  
Loose Fill = 39.9 C.Y.  
Compacted Fill = 9.0 C.Y.

