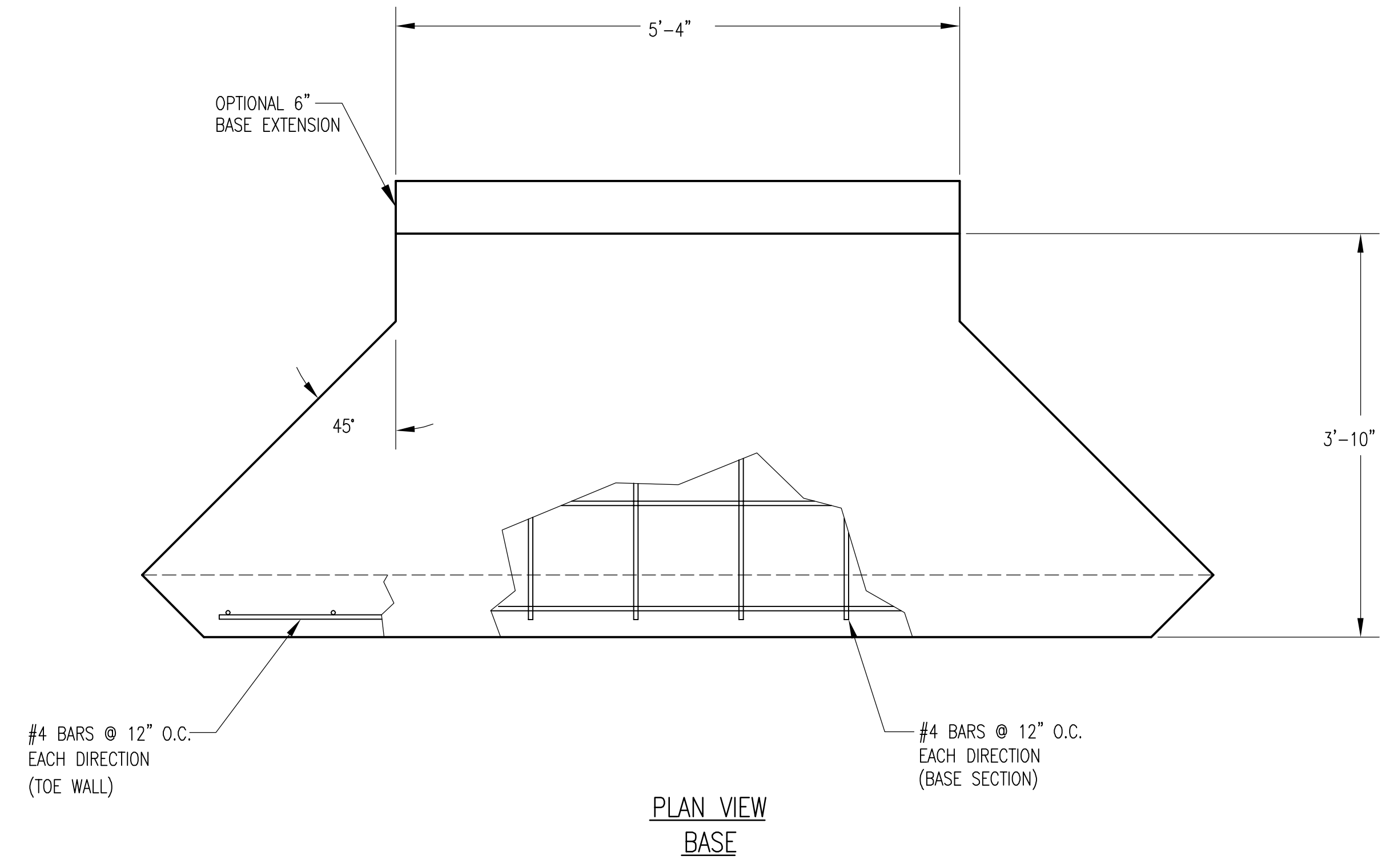
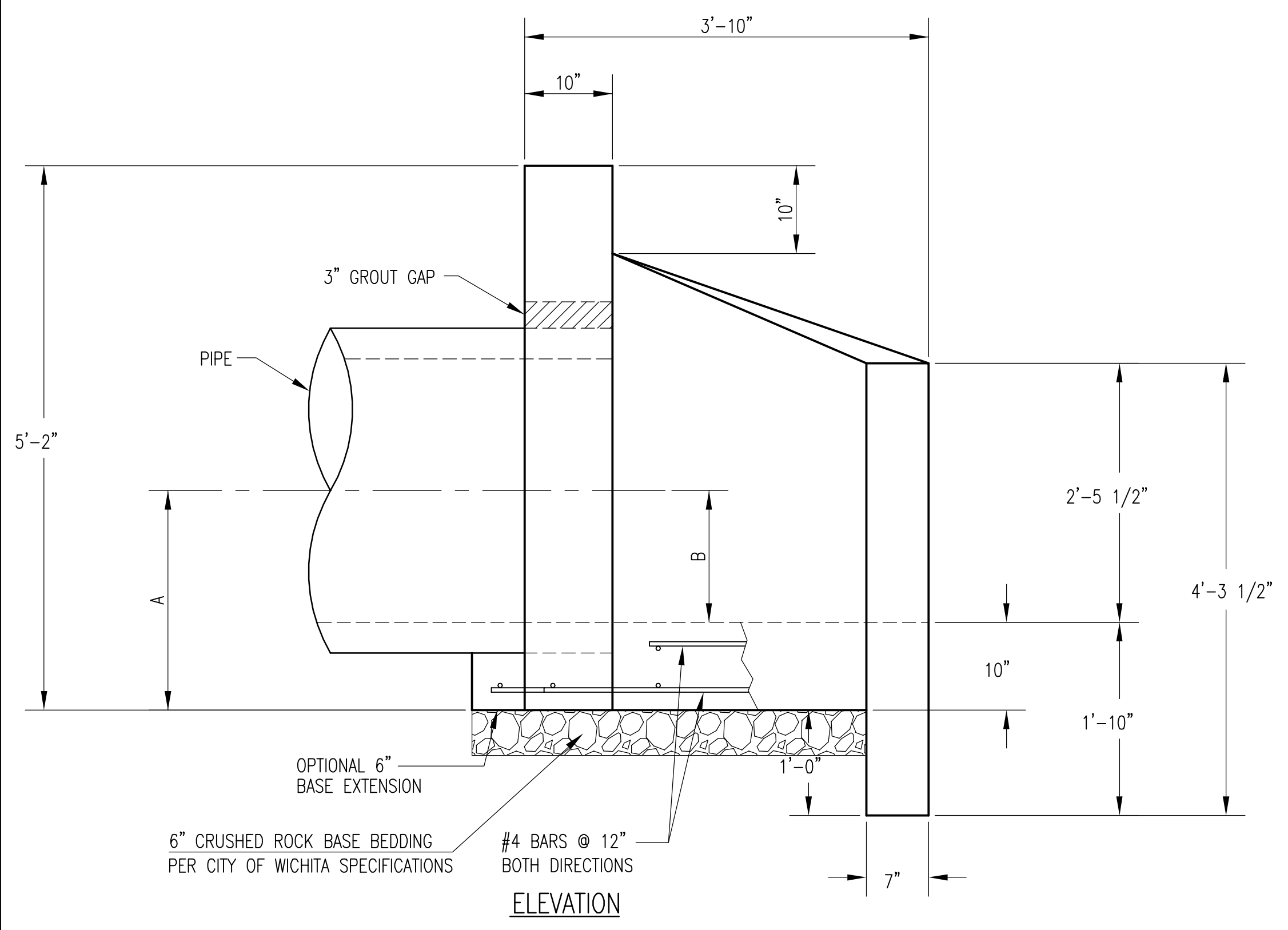


PLAN VIEW

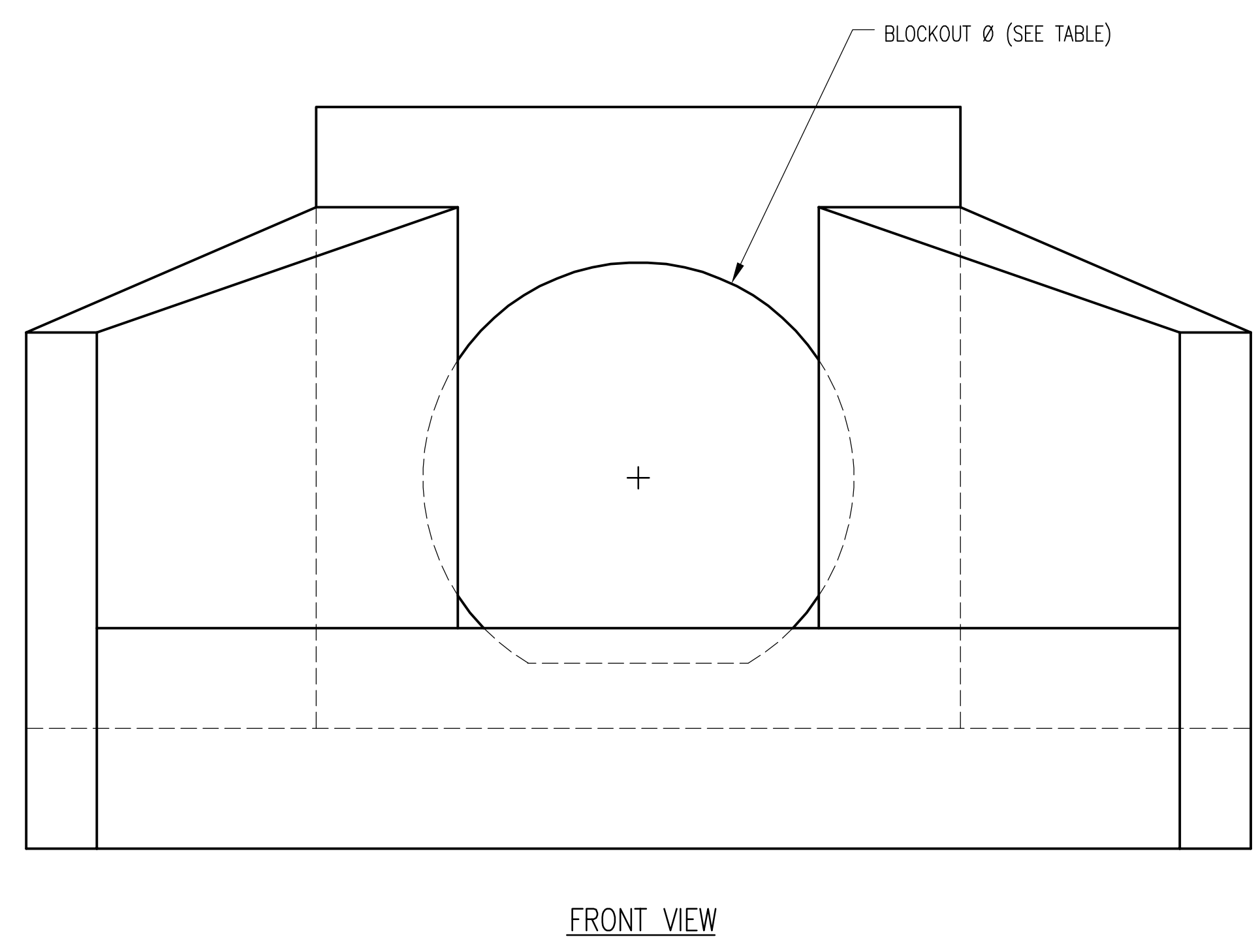


PLAN VIEW
BASE

PIPE Ø	A	B	BLOCKOUT Ø
30"	2'-1"	1'-3"	3'-7"
36"	2'-4"	1'-6"	4'-2"




ELEVATION



FRONT VIEW

HEADWALLS, AS SHOWN, WILL NOT SUPPORT FLAP GATE.



CITY OF WICHITA
PUBLIC WORKS & UTILITIES
ENGINEERING DIVISION

**HEADWALL
DETAILS FOR
30" AND 36" PIPE**

CITY ENGINEER
Gary Janzen, P.E. Interim City Engineer

PROJECT NUMBER	OCA NUMBER	DATE
468-84795	133117	09/12

CITY ENGINEER'S OFFICE
CITY HALL - SEVENTH FLOOR
455 NORTH MAIN STREET
WICHITA, KANSAS 67202-1620
(316) 268-4501

DESIGN	DRAWN
Staff	Staff
SHEET	
7 of 15	