

STATE	PROJECT NO.	YEAR	SHEET NO.	TOTAL SHEETS
KANSAS	87 N-0519-01	2012	4	212

**MKEC**  
ENGINEERING  
CONSULTANTS, INC.  
411 N. WEBB ROAD  
WICHITA, KS. 67206  
316-684-9600



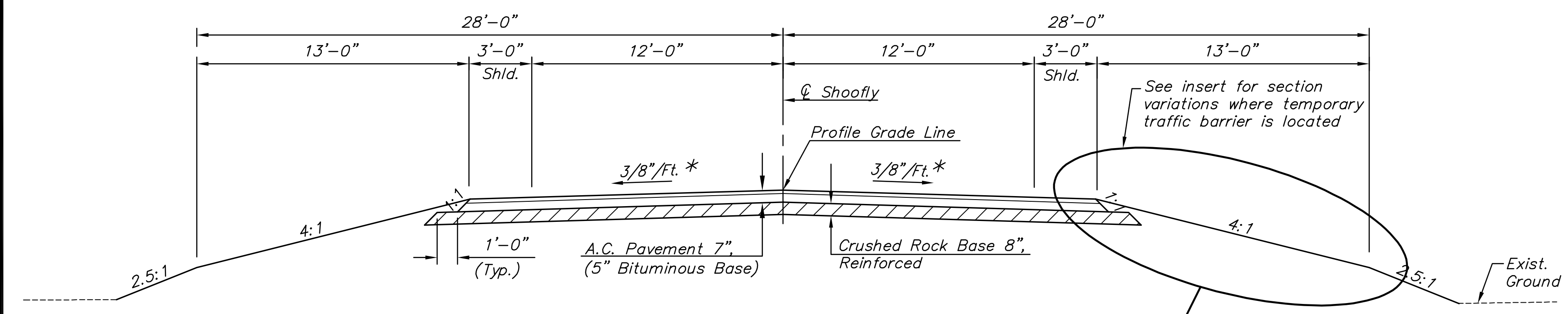
# BROADWAY BRIDGE AT 34TH STREET SOUTH

**TYPICAL SECTION**  
SHEET TITLE  
472-84830  
PROJECT NUMBER

DESIGN BY: JRA  
DRAWN BY: JSB  
CHECKED BY: JRA

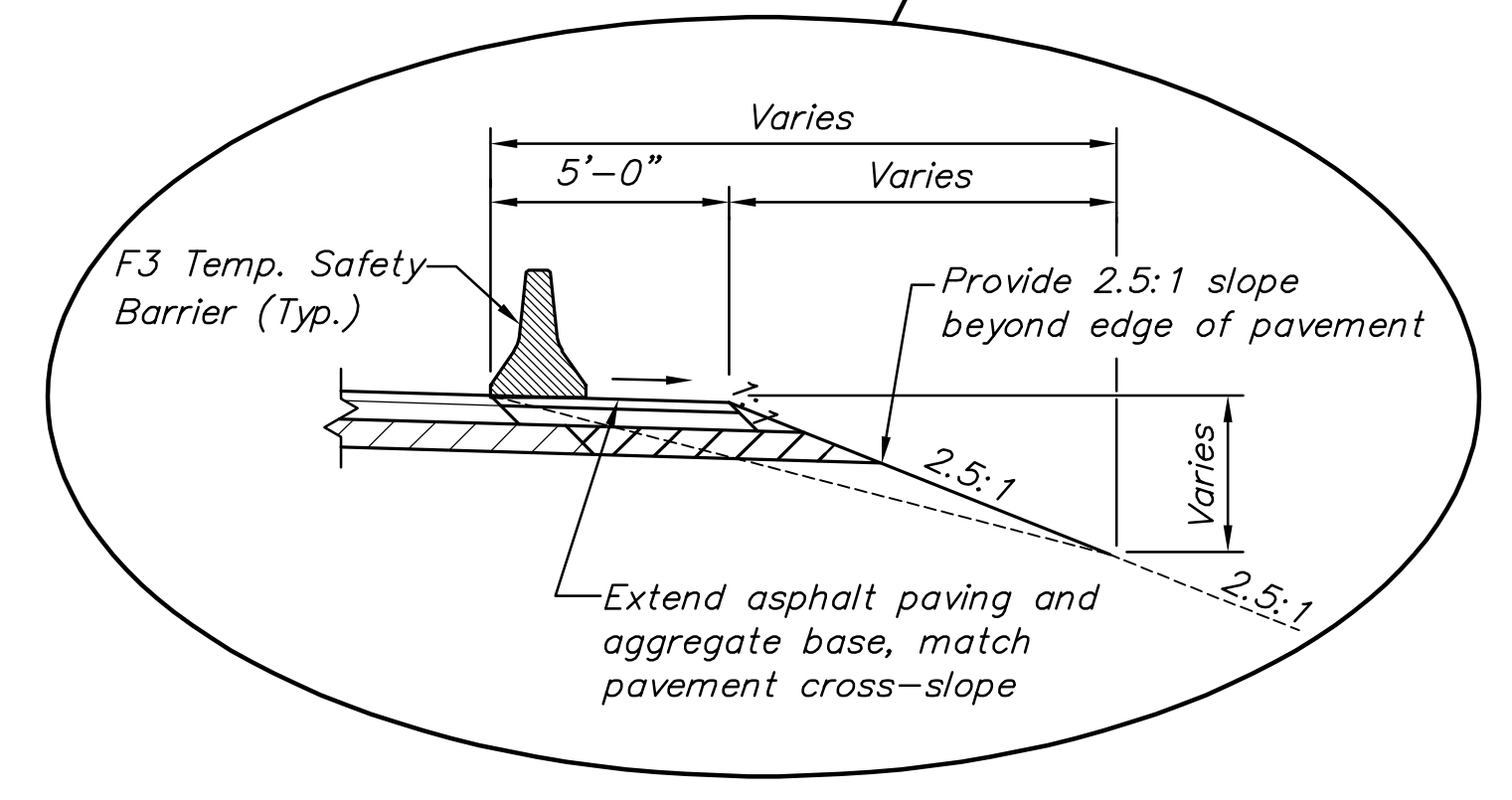
ISSUED: October 9, 2012  
REVISED:

SHEET NO.  
**4 of 212**

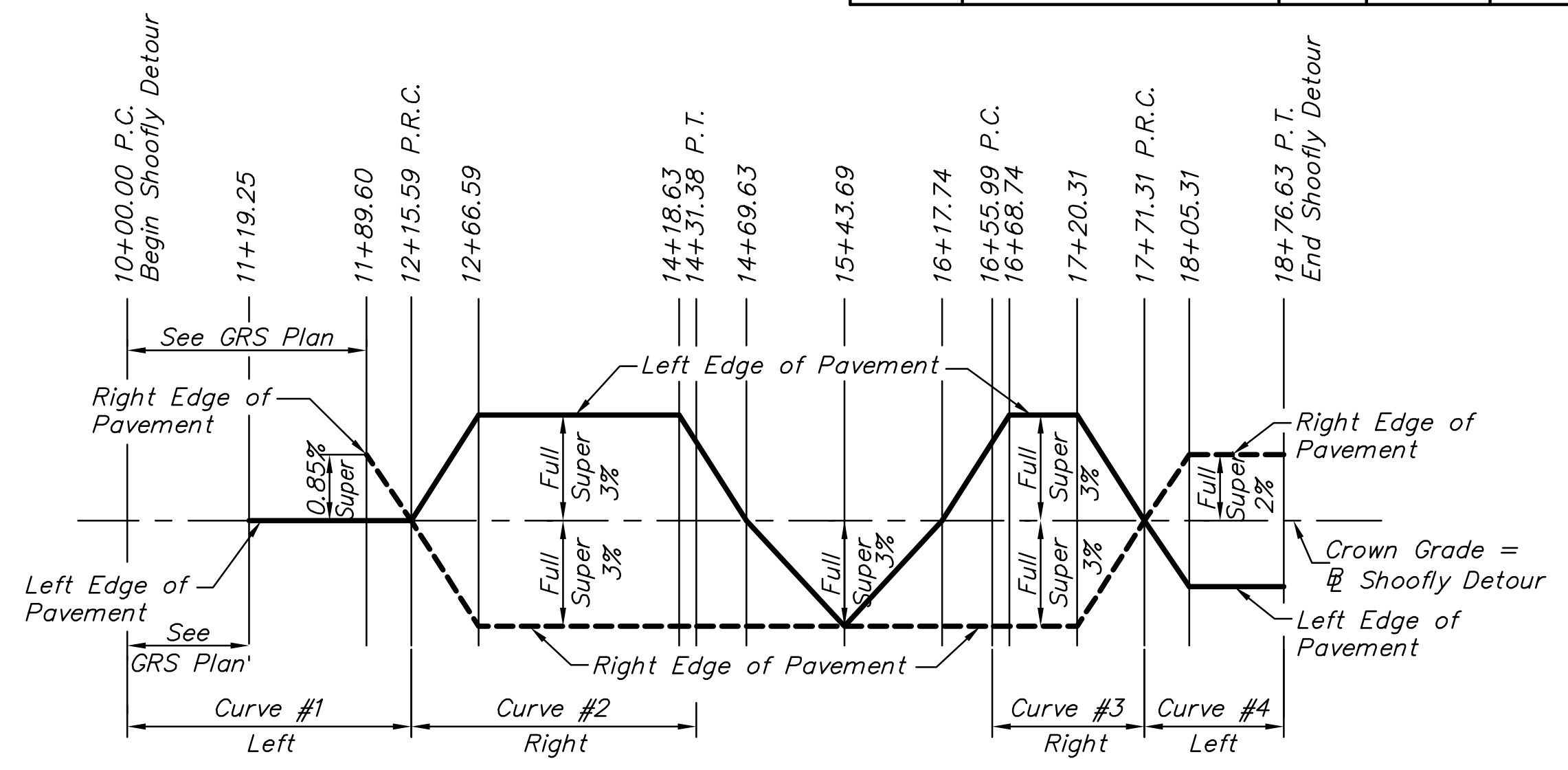


TYPICAL SHOOFLY DETOUR SECTION

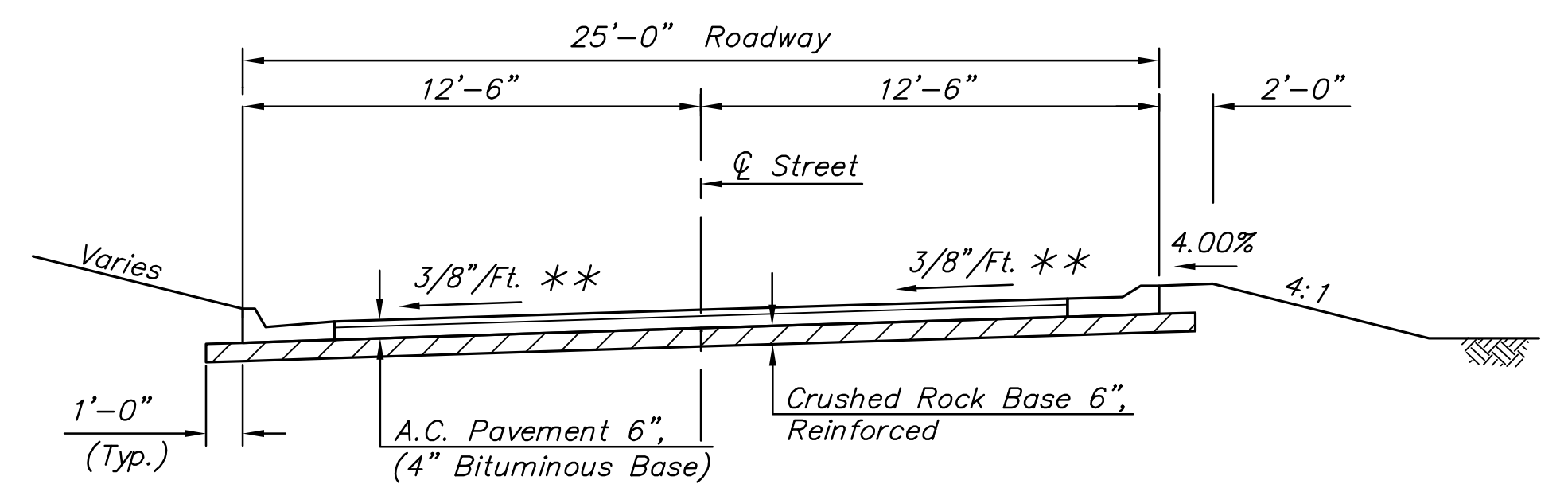
\* See Superelevation Diagram



INSERT  
(SHOOFLY DETOUR WITH BARRIER)

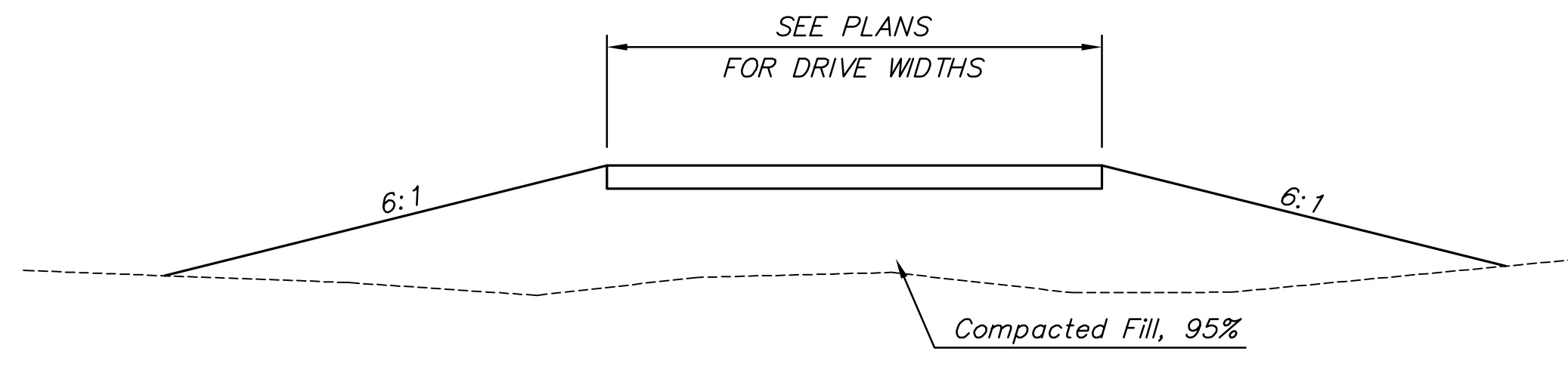


SHOOFLY DETOUR SUPERELEVATION DIAGRAM

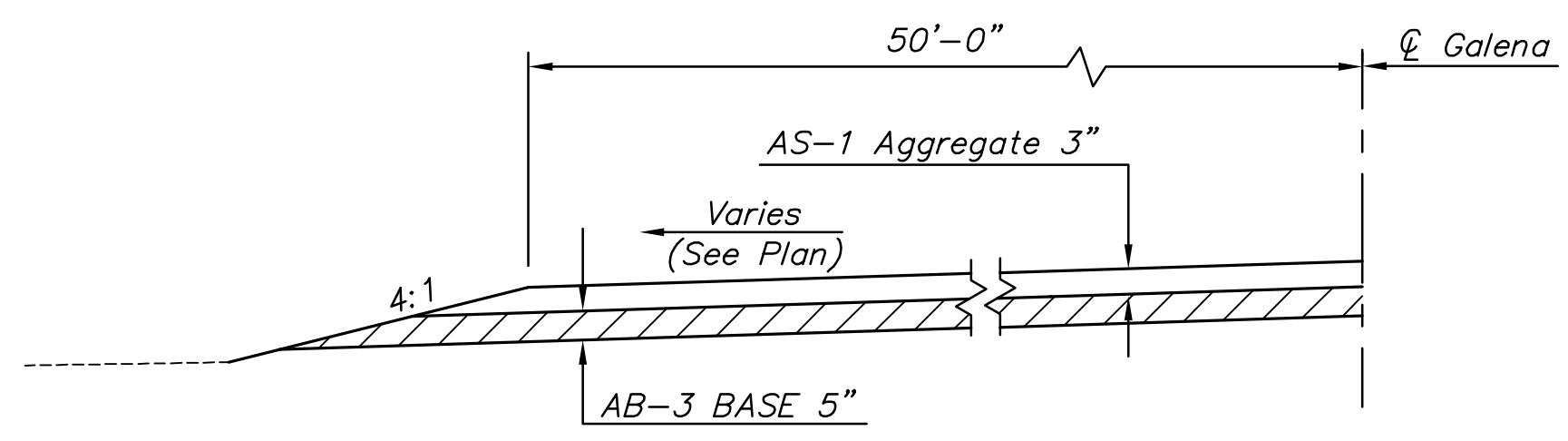


IN CUT  
TYPICAL SECTION  
37TH STREET SOUTH  
TOPEKA STREET  
IN FILL

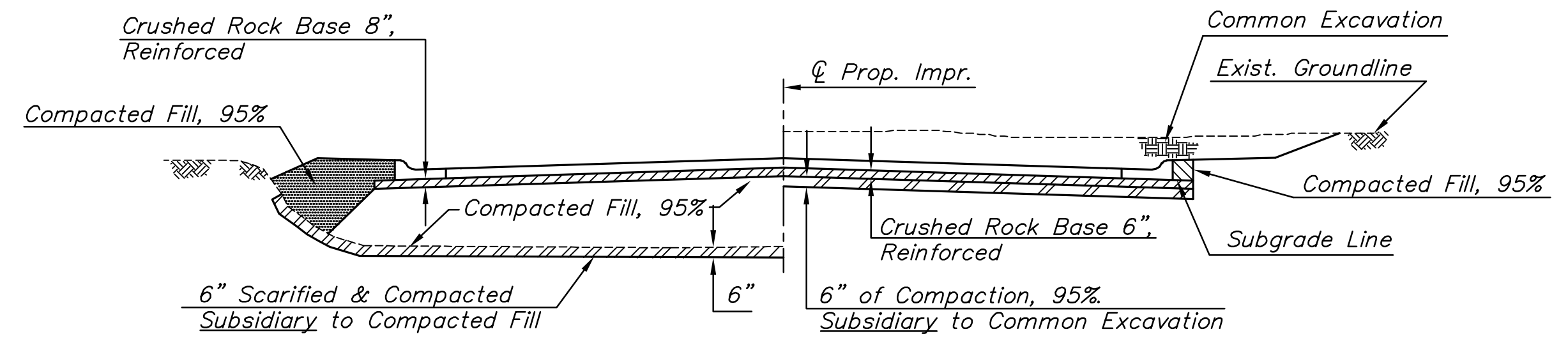
\*\* Cross slope varies from Sta. 11+27.15 to 13+40.00



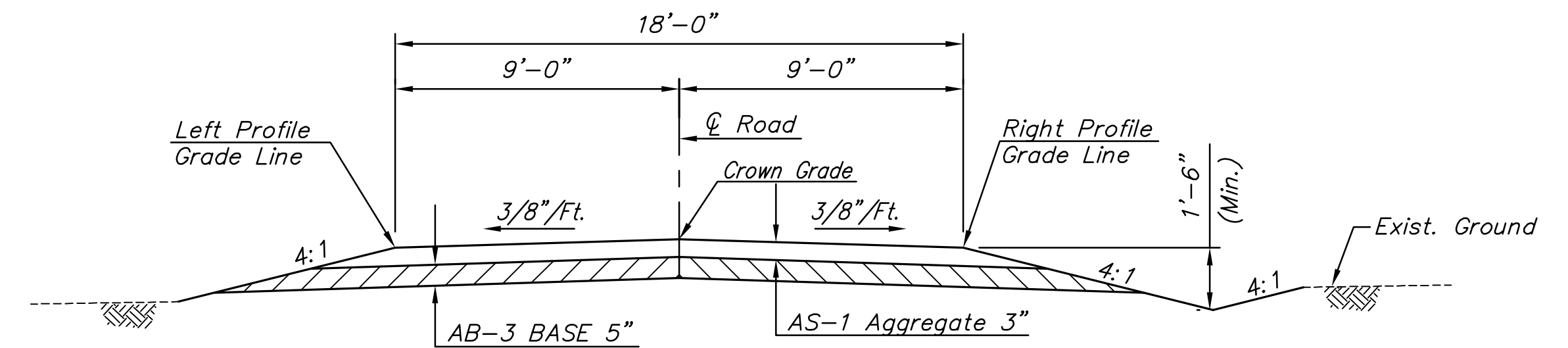
ELEVATED DRIVEWAYS



CUL-DE-SAC HALF SECTION  
GALENA STREET



IN FILL  
IN CUT  
FOUNDATION TREATMENT AND COMPACTION OF EARTHWORK



NO DITCH SECTION  
TYPICAL SECTION  
PRIVATE ROAD  
DITCH SECTION

PLOTTED: Thursday, October 11, 2012 @ 10:25AM

J:\Civil\09081.dwg Title\09081-TYP2