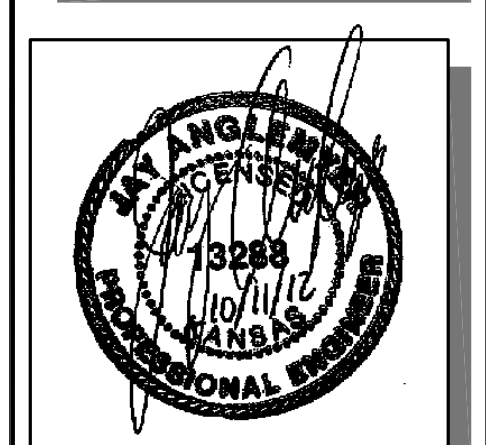


STATE	PROJECT NO.	YEAR	SHEET NO.	TOTAL SHEETS
KANSAS	87 N-0519-01	2012	47	212

**MKEC**  
ENGINEERING  
CONSULTANTS, INC.  
411 N. WEBB ROAD  
WICHITA, K.S. 67206  
316-684-9600



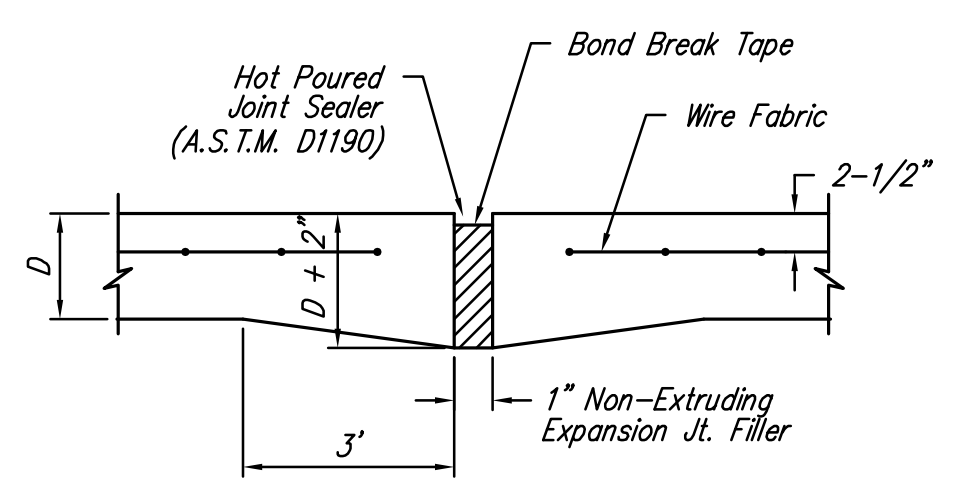
# BROADWAY BRIDGE AT 34TH STREET SOUTH

**VALLEY GUTTER DETAILS**  
SHEET TITLE  
472-84830  
PROJECT NUMBER

JRA  
DESIGN BY  
TBK  
DRAWN BY  
JRA  
CHECKED BY

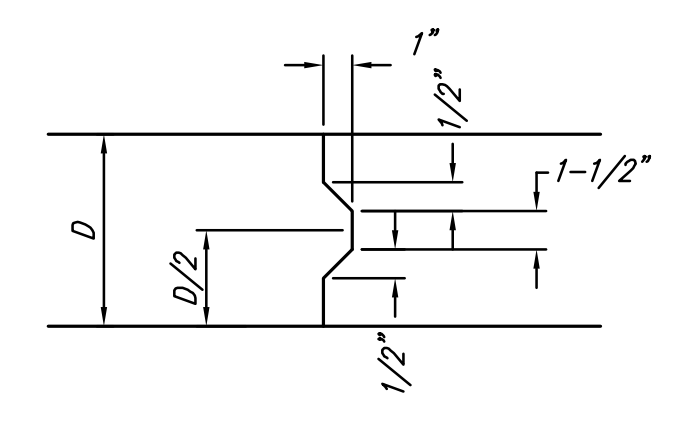
ISSUED  
October 9, 2012  
REVISED

SHEET NO.  
47 of 212

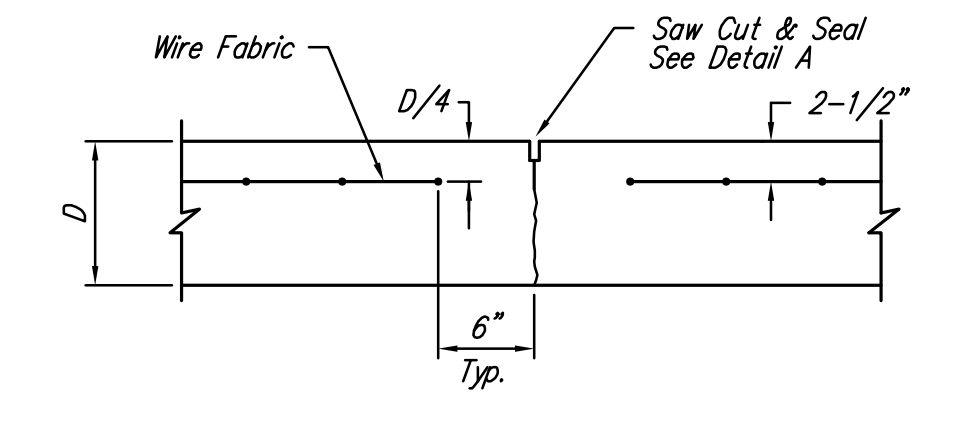


**EXPANSION JOINT**

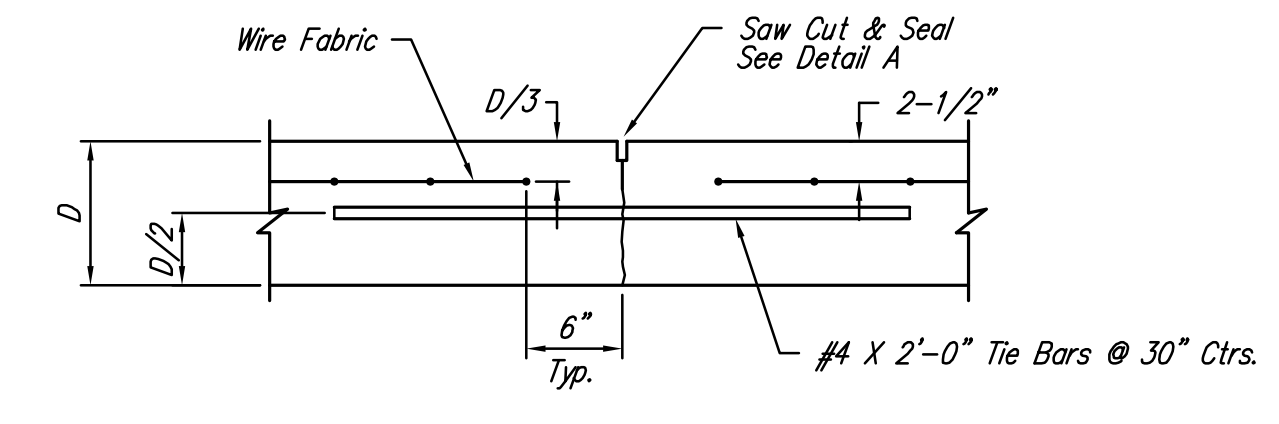
NOTE: Extra Thickness to be Subsidiary to Price of Square Yards Pavement



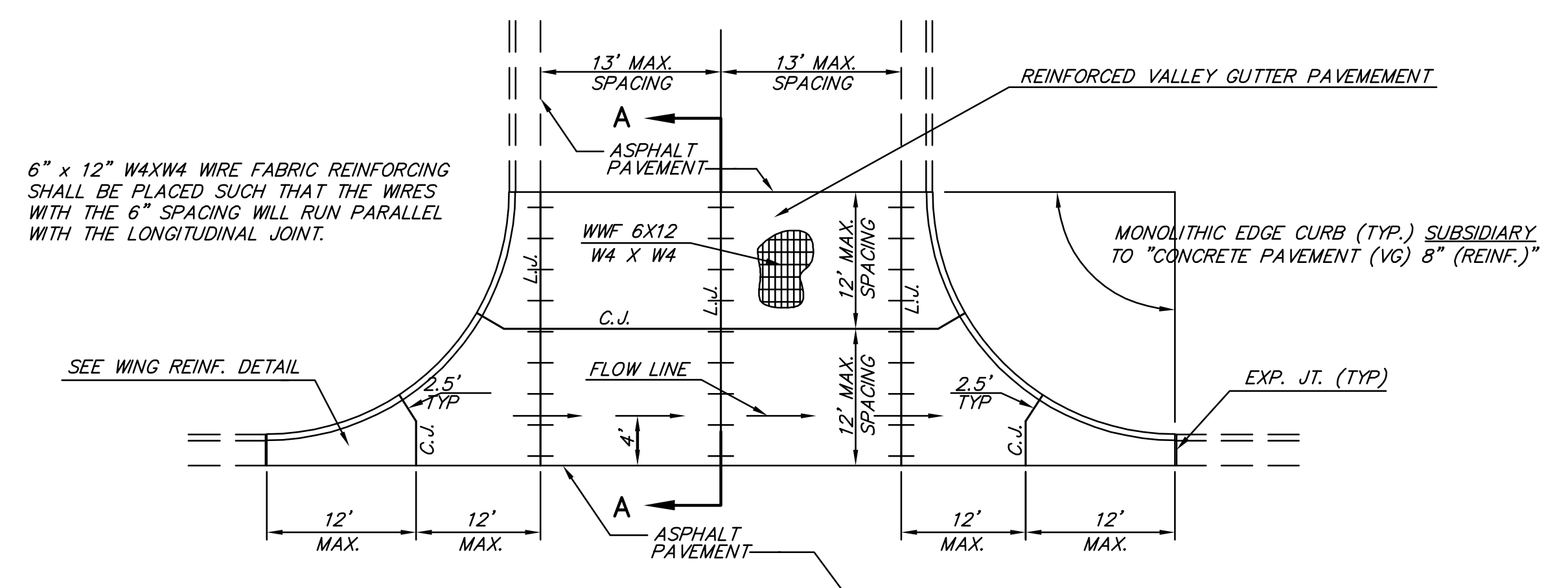
**KEYWAY DETAIL**



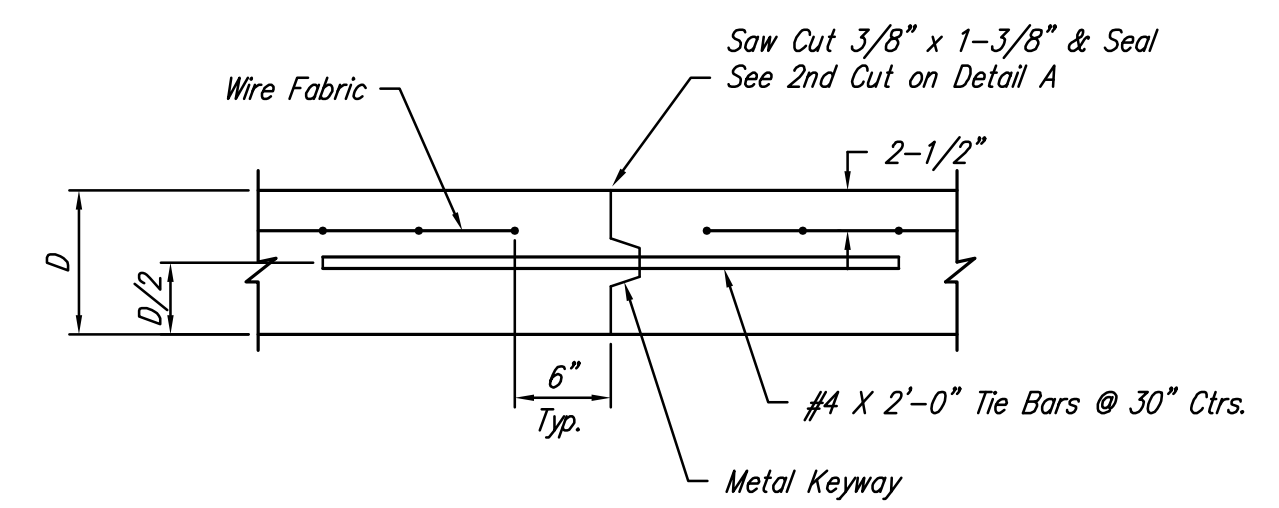
**CONTRACTION JOINT DETAIL (C.J.)**



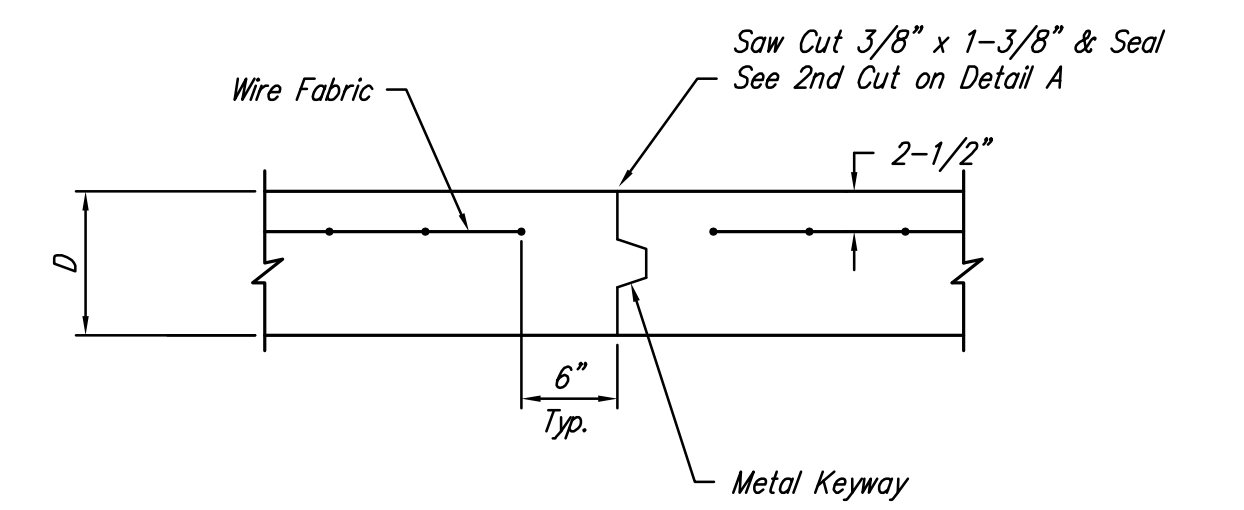
**LONGITUDINAL JOINT DETAIL (L.J.)**



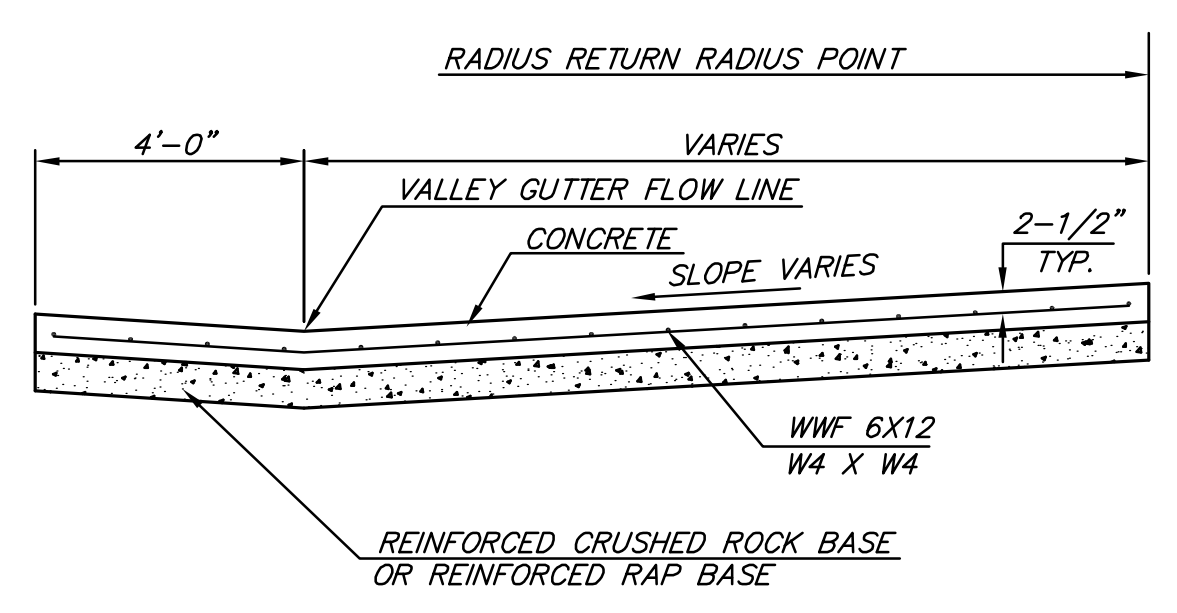
**PLAN**



**OPTIONAL LONGITUDINAL JOINT DETAIL (L.J.)**

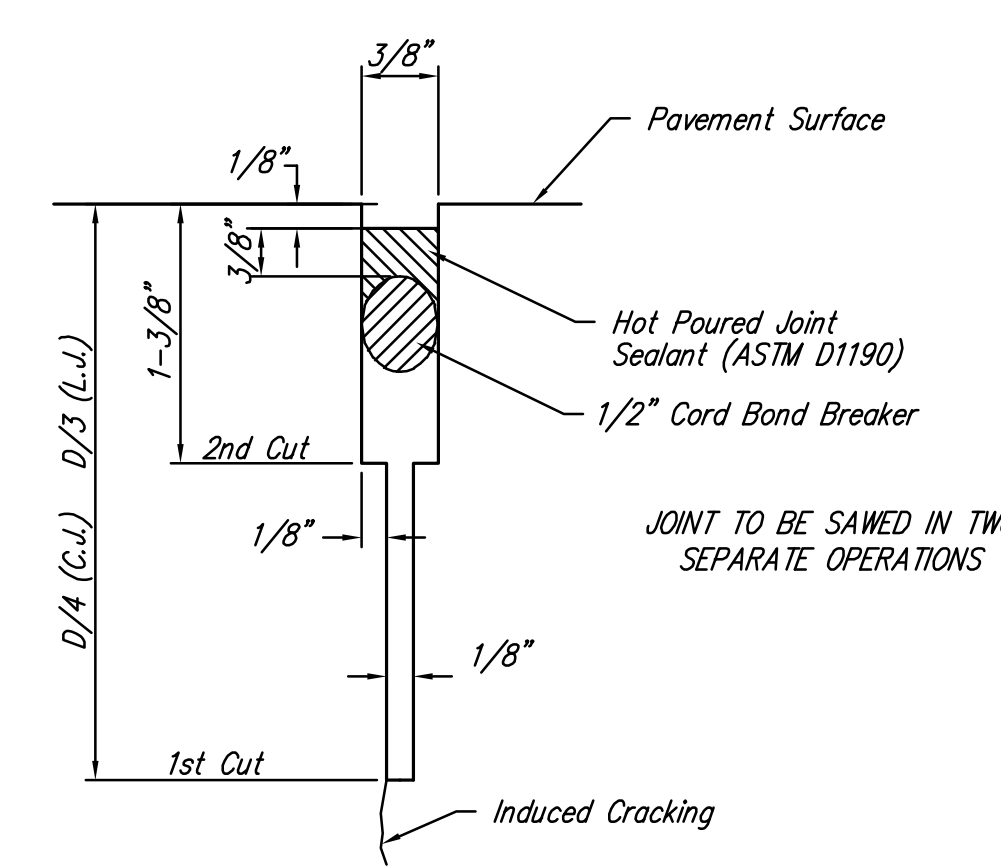


**OPTIONAL CONTRACTION JOINT**

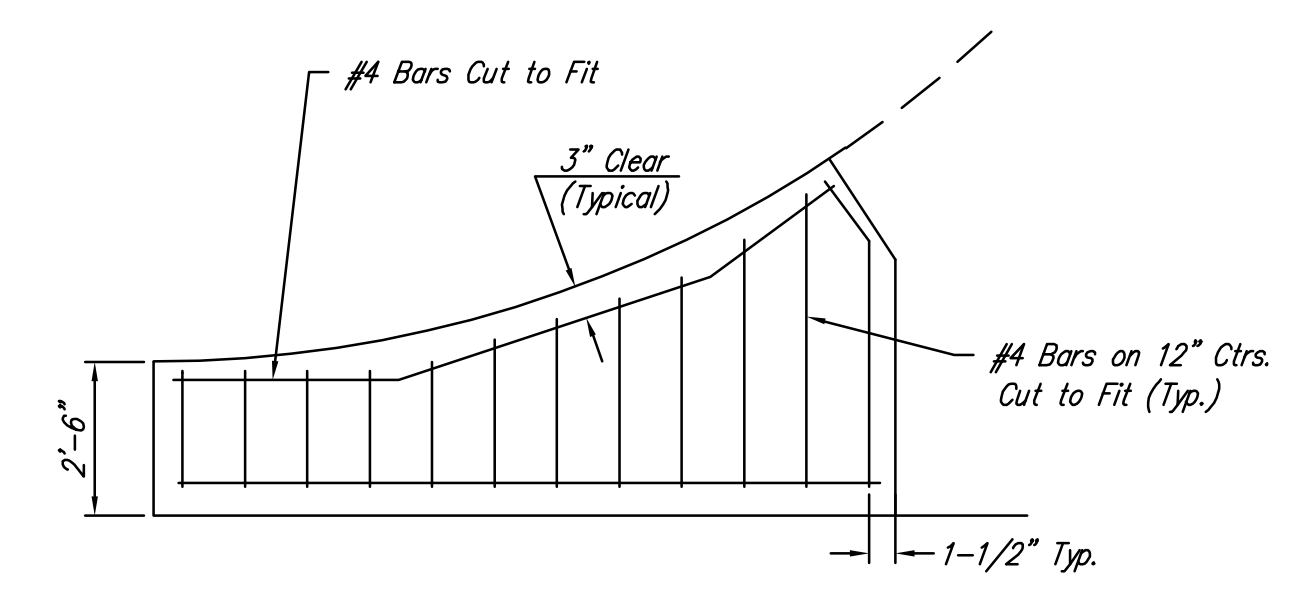


**SECTION A-A**

**REINFORCED VALLEY GUTTER DETAIL**



**SAW JOINT DETAIL**



**WING REINFORCING DETAIL**

PLOTTED: Thursday, October 11, 2012 @ 10:37AM

J:\Civil\09081.dwg \Details\Valley Gutter