

STATE	PROJECT NO.	YEAR	SHEET NO.	TOTAL SHEETS
KANSAS	87 N-0519-01	2012	50	212

MKEC
ENGINEERING
CONSULTANTS, INC.
411 N. WEBB ROAD
WICHITA, K.S. 67206
316-684-9600



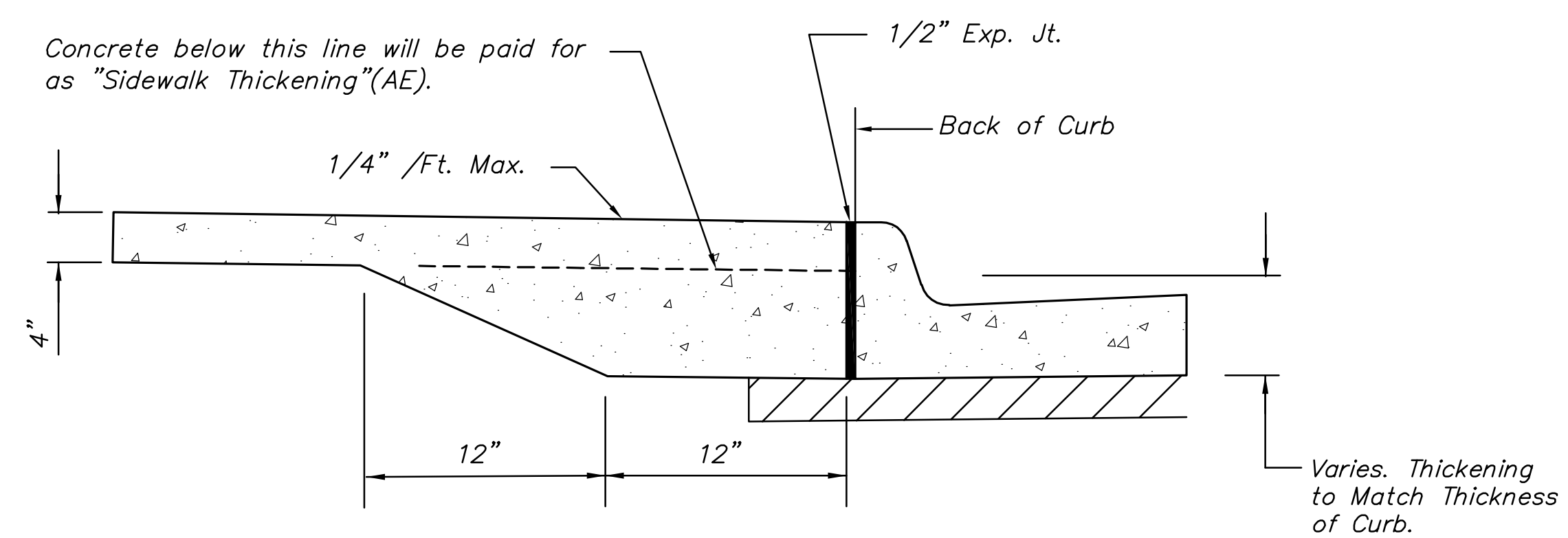
BROADWAY BRIDGE AT 34TH STREET SOUTH

**SIDEWALK
DETAILS**
SHEET TITLE
472-84830
PROJECT NUMBER

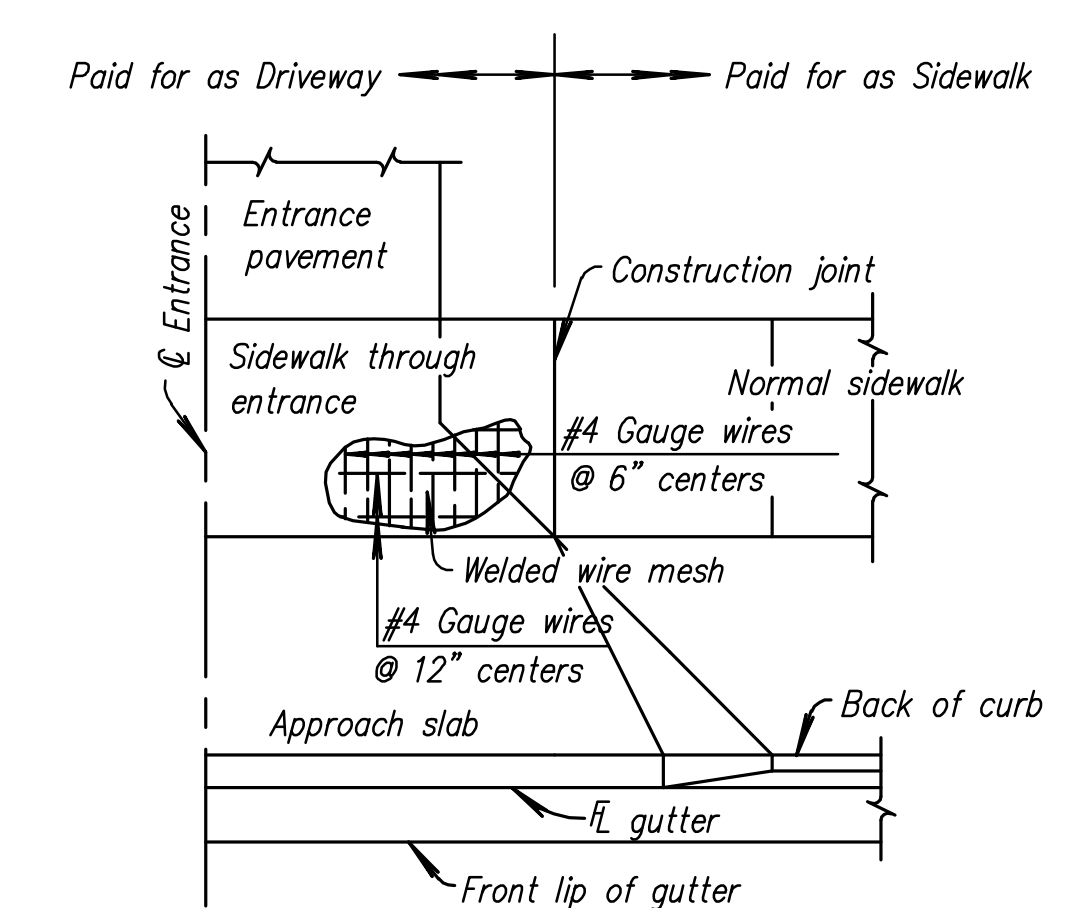
DESIGN BY: JRA
DRAWN BY: TBK
CHECKED BY: JRA

ISSUED
October 9, 2012
REVISED

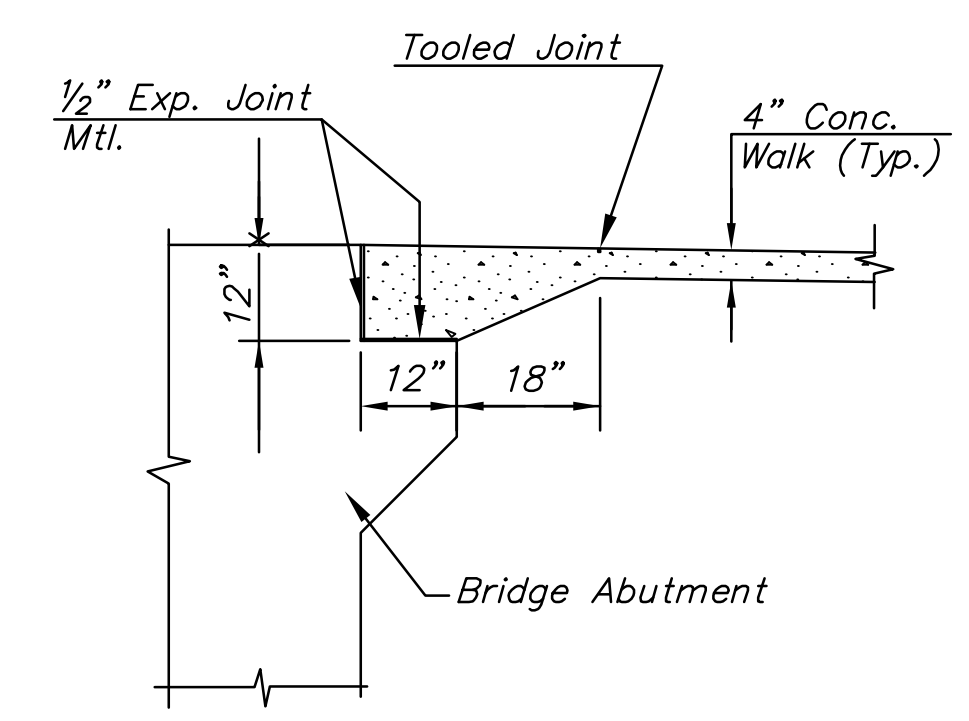
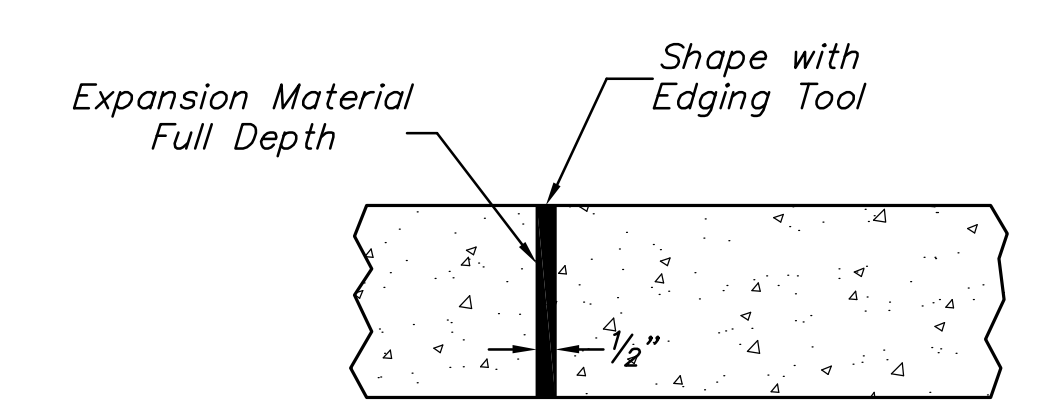
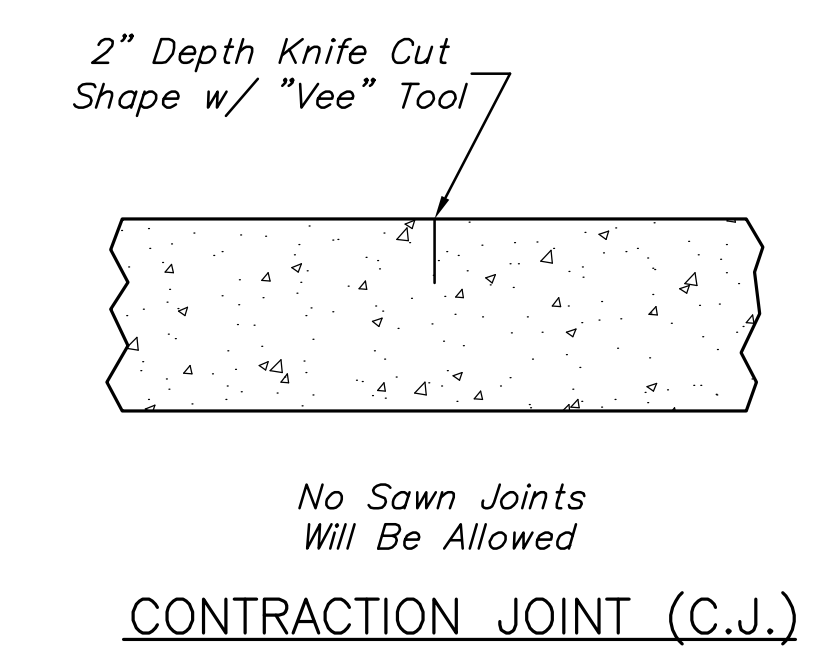
SHEET NO.
50 of 212



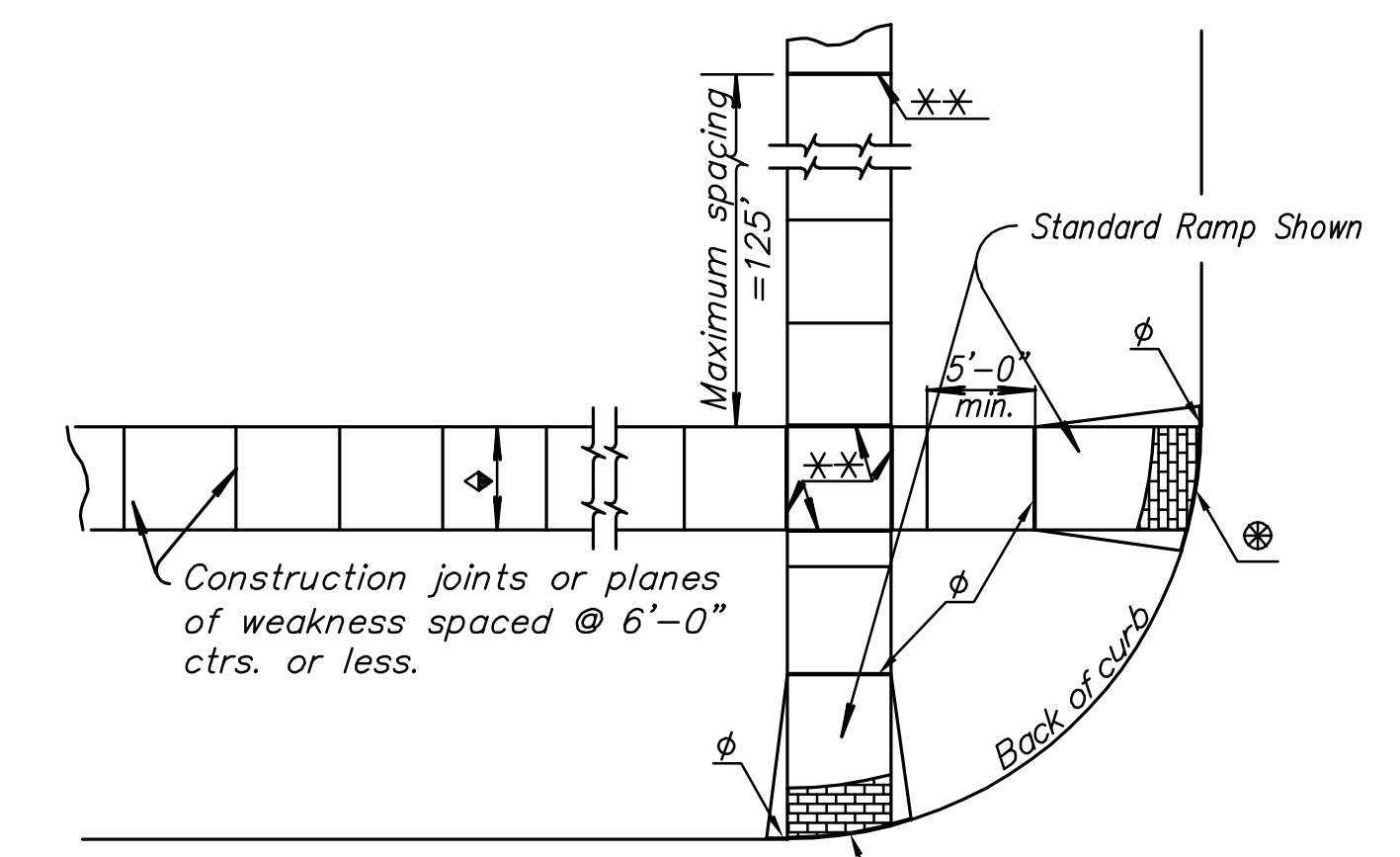
SIDEWALK SECTION AT BACK-OF-CURB
Note: All Sidewalk at Back of Curb Shall Conform to this Detail



**REINFORCEMENT DIAGRAM
SIDEWALK THROUGH ENTRANCE**



SIDEWALK AT BRIDGE ABUTMENT



**PLAN
SIDEWALK**

NOTE:

Sidewalk shall always have a cross-slope of 1/4 inch per foot or less, even through driveways unless directed otherwise by the Engineer.

** Expansion joint (3/4" redwood board) located as shown.

Variable width (5'-0" min.). Entrance walk to be same width as approach walk. Sidewalk width of 4'-0" may be used where existing conditions prohibit use of 5'-0".

Expansion Joint (3/4" Redwood board) placed at either back of curb line or at sidewalk line.

Detectable warning installation is typical and required on Sidewalk Ramps. Refer to Ramp Detail sheet.

PLOTTED: Thursday, October 11, 2012 @ 10:38AM

J:\Civil\09081.dwg\Details\Sidewalk Details