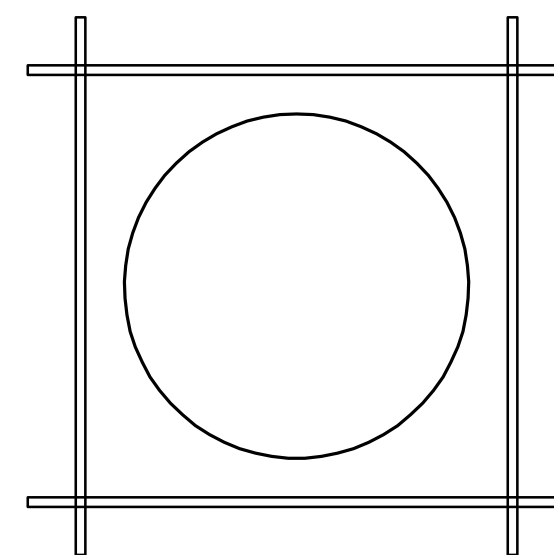
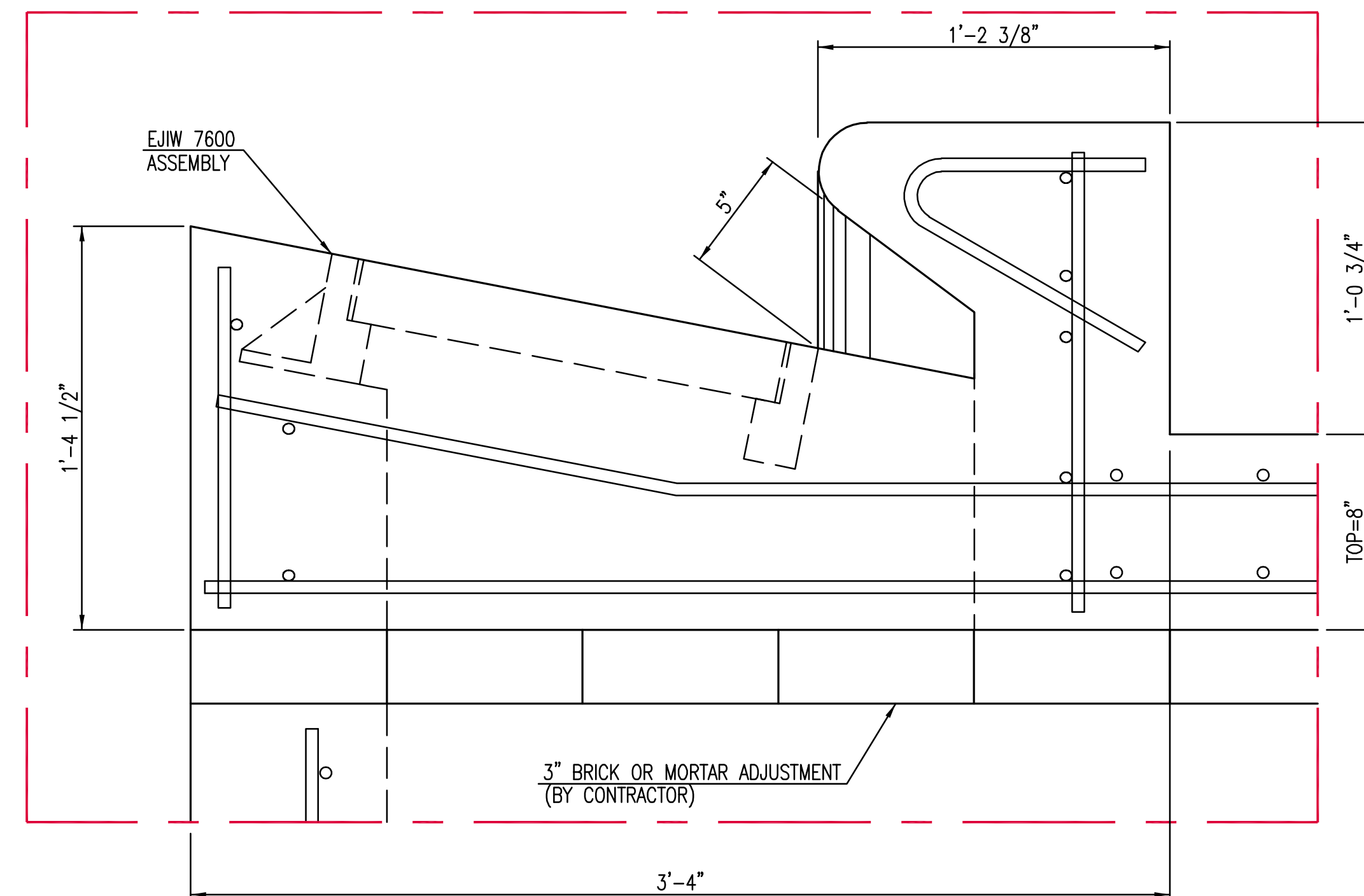


****ALL REINFORCING TO BE #4 BARS @ 6" O.C.**



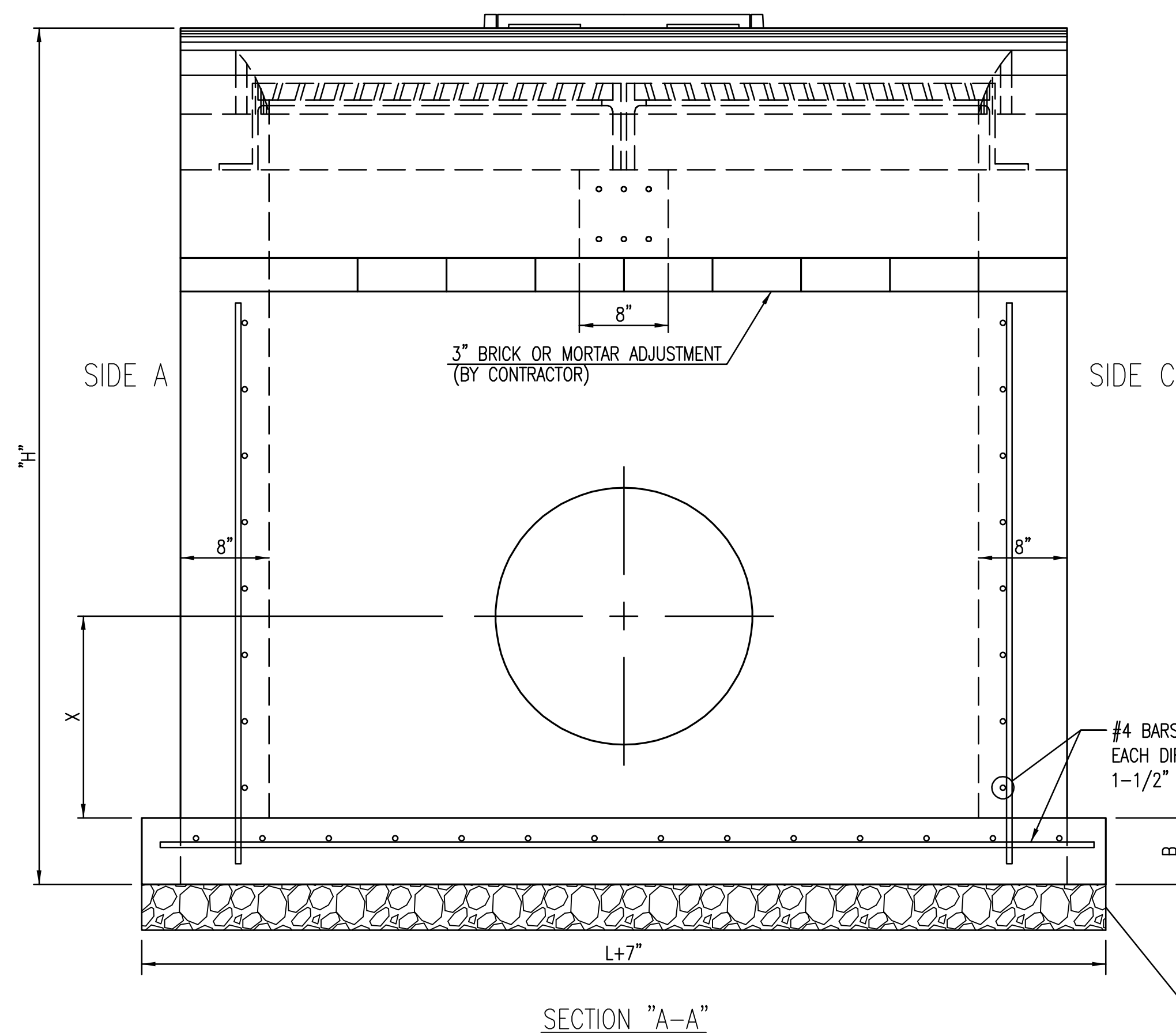
REINFORCING DETAIL
TYPICAL BLOCKOUT REINFORCING
(4) EA. #4 BARS



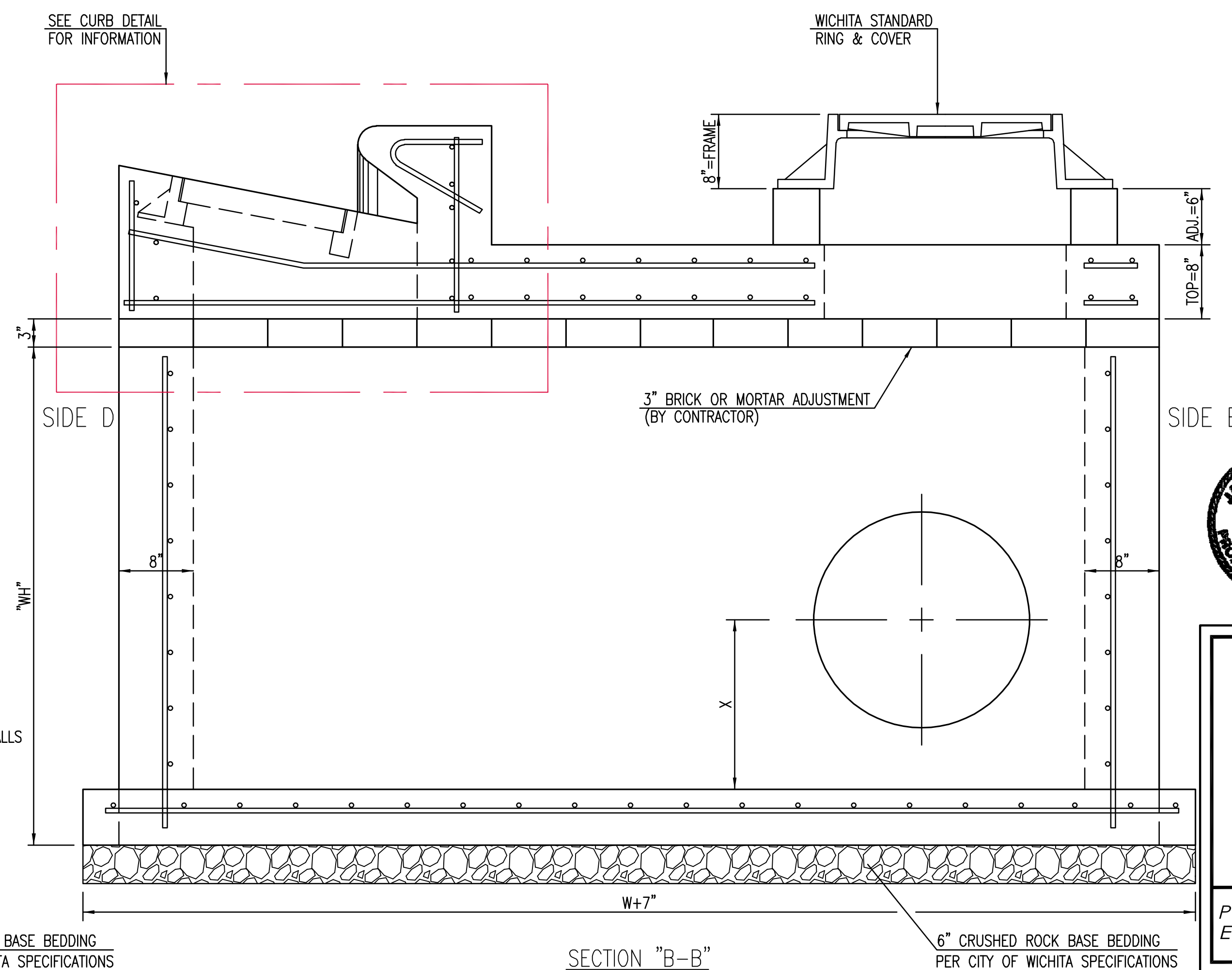
CURB DETAIL

GENERAL NOTES

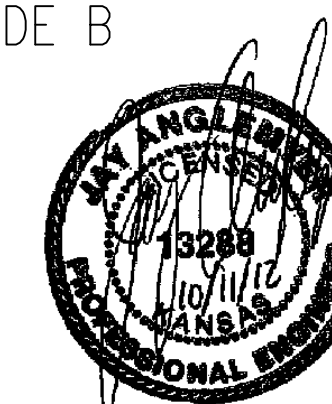
- USE THE CONCRETE MIX SPECIFIED FOR THE CITY OF WICHITA CONCRETE PAVEMENT THROUGHOUT. ALL EXPOSED EDGES SHALL BE FINISHED WITH AN EDGING TOOL. REINFORCING BARS SHALL BE BENT AROUND PIPE.
- INLET/MANHOLE INVERT SHALL BE SHAPED WITH 8 SACK MIX CONCRETE TO CREATE FLOW CHANNELS AND TO INCREASE HYDRAULIC EFFICIENCY SUCH THAT THE INLET WILL BE SELF CLEANING BETWEEN ALL INLET AND/OR OUTLET PIPES.
- ALL BARS ARE #4 WITH 6" SPACING AND SHALL HAVE A MINIMUM CLEARANCE OF 1 1/2" INCHES UNLESS OTHERWISE NOTED ON THE PLANS.
- NO DEDUCTIONS WILL BE MADE IN PAY LENGTH OF CURB, GUTTER, OR CURB AND GUTTER THROUGH THE INLET AREA.
- USE DEETER FOUNDRY, INC. CASTING NO. 2442/43 OR EJIW 7600Z LEFT SIDE, 7600 RIGHT SIDE IN INLET FRAME AND GRATE WITH STYLE H GRATE. INLET FRAME TO BE PROOF LOAD TESTED TO 40,000 LBS. ON UNSUPPORTED SIDE.
- RING AND COVER SHALL BE DEETER #1261 OR EJIW #1936-Z1, OR APPROVED EQUAL, SEE SW-303.
- REINFORCING BARS SHALL BE CUT OR BENT AROUND PIPES. NO DEDUCTION IN CONCRETE QUANTITIES SHALL BE MADE FOR PIPE OPENINGS.
- THE VANES OF THE GRATE SHALL BE ORIENTED WITH RESPECT TO THE FLOW ARROWS SHOWN ON THE PLANS.
- AROUND INLET/MANHOLE OPENING IN TOP SLAB USE #5 BAR @ 45 ANGLE TO OTHER BARS. LENGTH = MH OPENING + 2'0"
- CONTRACTOR SHALL REMOVE LIFTING HOOKS AFTER INSTALLATION. RECESSES IN INLET/MANHOLE WALL SHALL BE GROUTED FLUSH TO THE INLET/MANHOLE WALL WITH HYDRAULIC CEMENT AFTER THE INLET/MANHOLE IS IN PLACE. LIFTING HOLES THRU THE INLET/MANHOLE WALL WILL NOT BE ACCEPTED.



SECTION "A-A"



SECTION "B-B"



CITY OF WICHITA
PUBLIC WORKS & UTILITIES
ENGINEERING DIVISION

SPECIAL TYPE II INLET/MANHOLE		
CITY ENGINEER GARY L. JANZEN, P.E.		
PROJECT NUMBER 472-84830	OCA NUMBER 715727	DATE 8/2012
CITY ENGINEER'S OFFICE CITY HALL - SEVENTH FLOOR 455 NORTH MAIN STREET WICHITA, KANSAS 67202-1620 (316) 268-4501		DESIGN DRAWN SHEET 55 of 212