

STATE	PROJECT NO.	YEAR	SHEET NO.	TOTAL SHEETS
KANSAS	87 N-0519-01	2012	63	212

**MKEC**  
ENGINEERING  
CONSULTANTS, INC.  
411 N. WEBB ROAD  
WICHITA, K.S. 67206  
316-684-9600



# BROADWAY BRIDGE AT 34TH STREET SOUTH

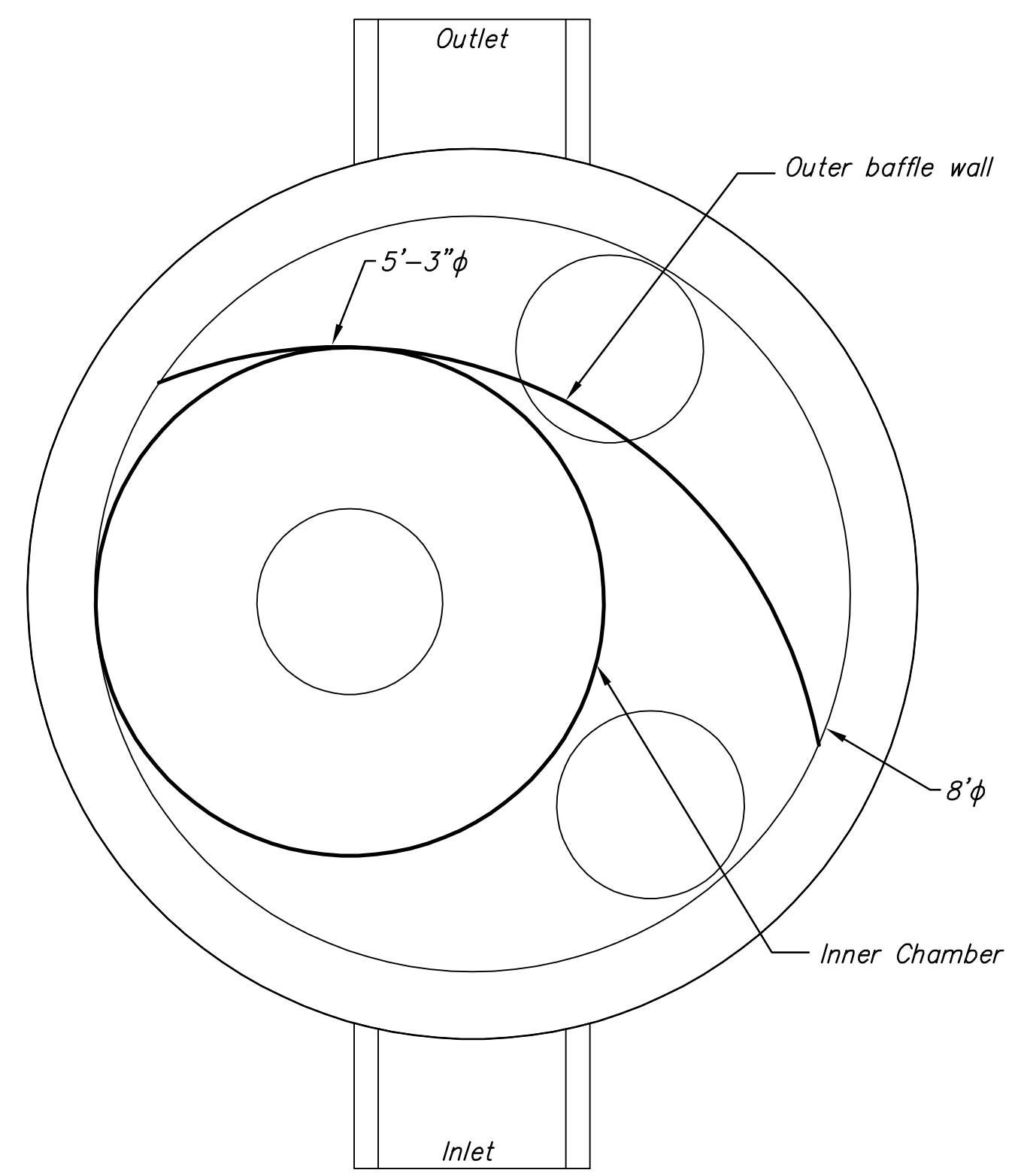
**STORMWATER  
QUALITY  
SEPARATOR**  
SHEET TITLE  
472-84830  
PROJECT NUMBER

DESIGN BY: JRA  
DRAWN BY: TBK  
CHECKED BY: JRA

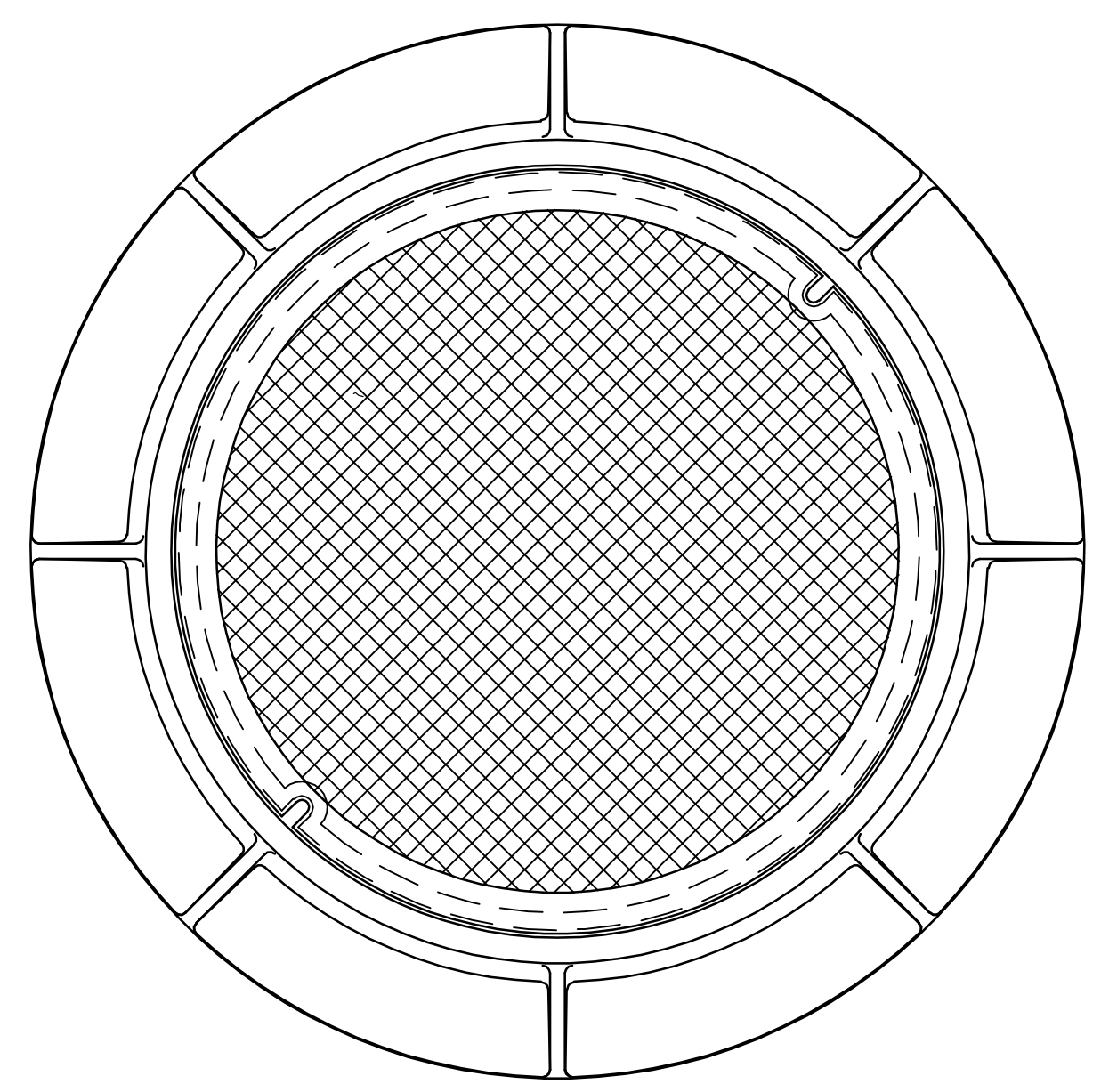
ISSUED  
October 9, 2012  
REVISED

SHEET NO.  
**63 of 212**

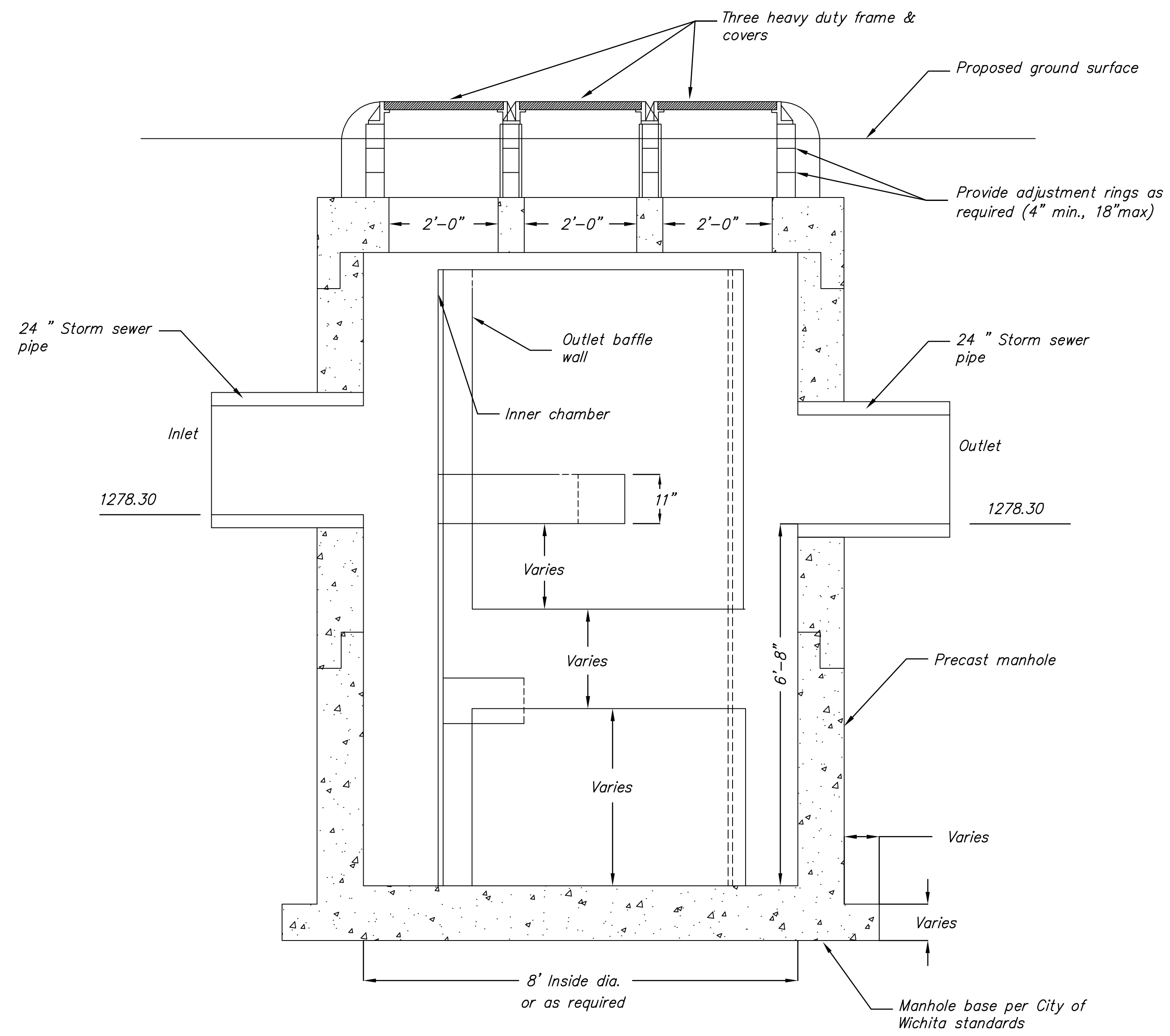
Lids in pavement shall be flush. Lids on ground shall be installed 0.4' higher than finish grade with a standard grout ring.



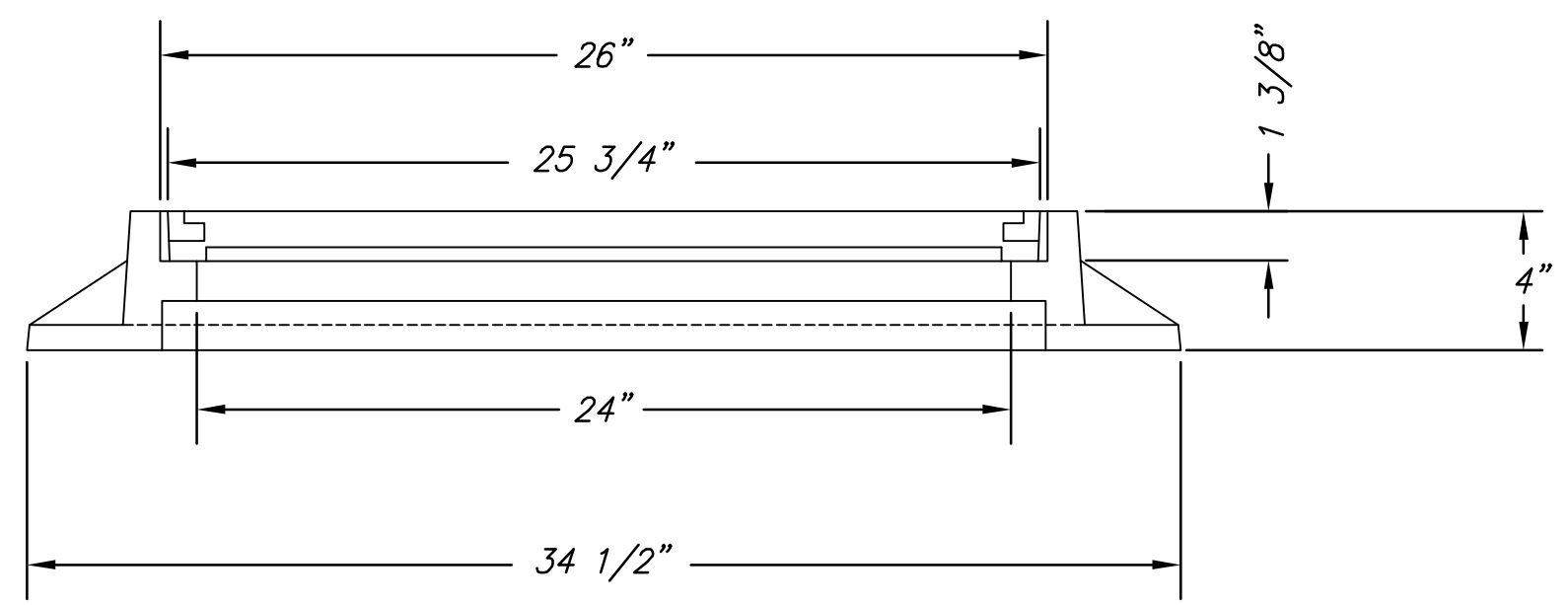
PLAN



PLAN



TYPICAL SECTION



**NOTES:**

1. Material- Gray Cast Iron ASTM A48-83, Class 30B, AASHTO HS20-44 Highway Loading;
2. Bearing surface at seat of frame and cover shall be machined for uniformity;
3. Cover shall have two non-penetrating pick holes;
4. Castings shall be supplied without surface coating.
5. Castings shall comply with the unit's manufacturer's recommendations.
6. Refer to Special Provisions for treatment requirements.

PLOTTED: Thursday, October 11, 2012 @ 10:44AM

J:\Civil\09081\dwg\Details\STORMWATER QUALITY SEPARATOR