

STATE	PROJECT NO.	YEAR	SHEET NO.	TOTAL SHEETS
KANSAS	87 N-0519-01	2012	68	212

MKEC
ENGINEERING
CONSULTANTS, INC.
411 N. WEBB ROAD
WICHITA, K.S. 67206
316-684-9600



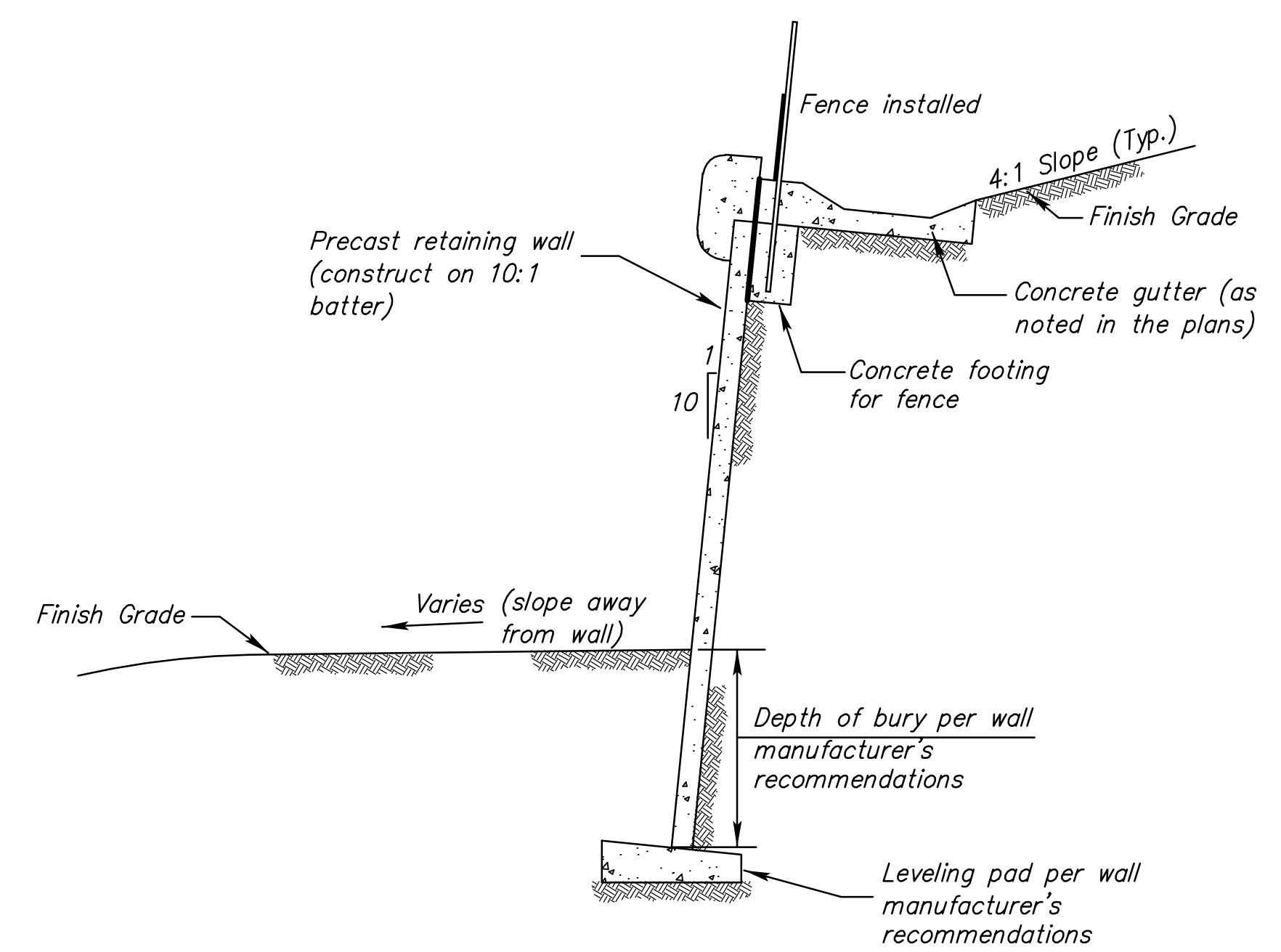
BROADWAY BRIDGE AT 34TH STREET SOUTH

Miscellaneous Retaining Wall Details
SHEET TITLE
472-84830
PROJECT NUMBER

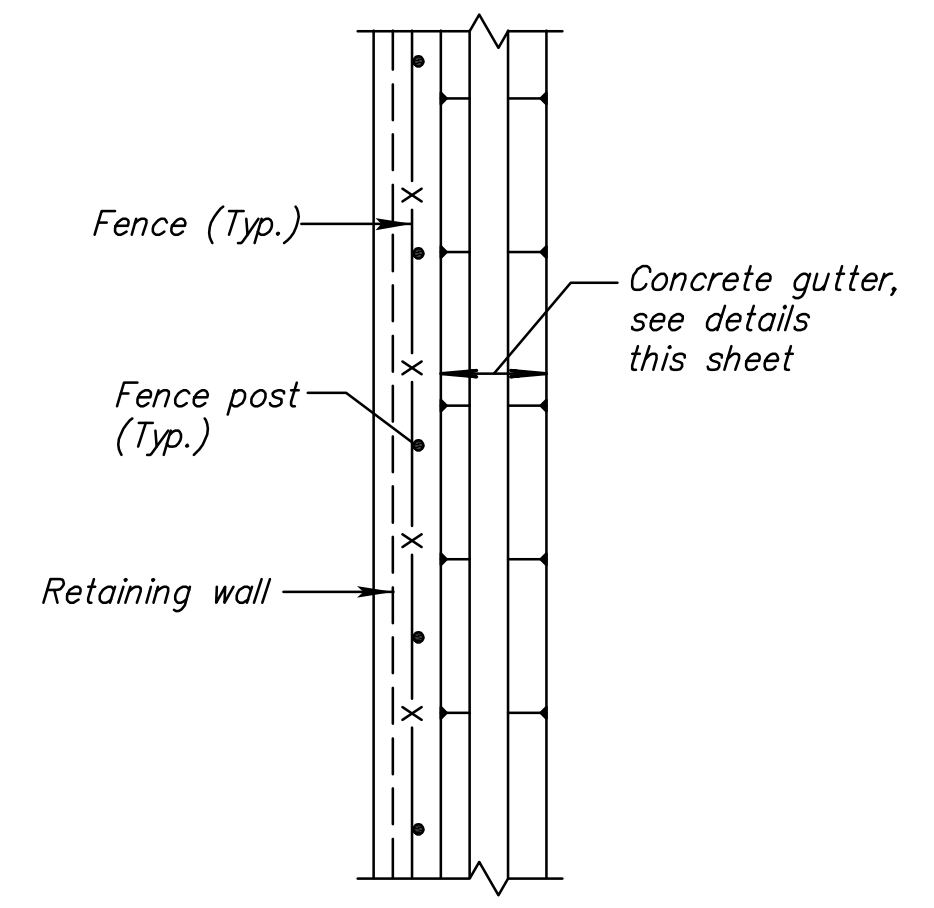
JRA
DESIGN BY
TBK
DRAWN BY
JRA
CHECKED BY

ISSUED
October 9, 2012
REVISED

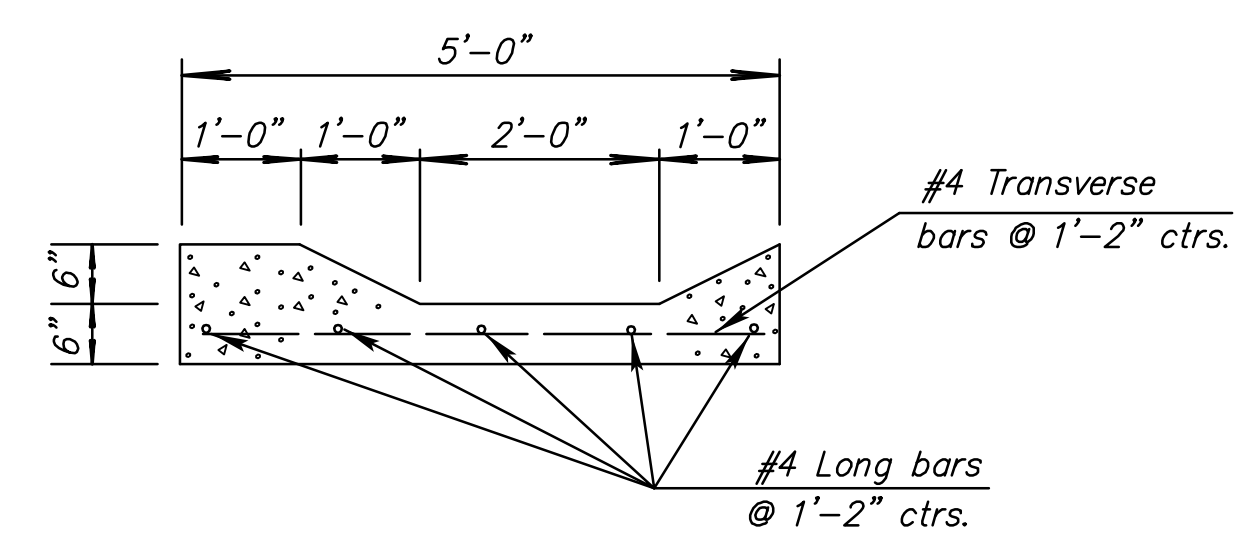
SHEET NO.
68 of 212



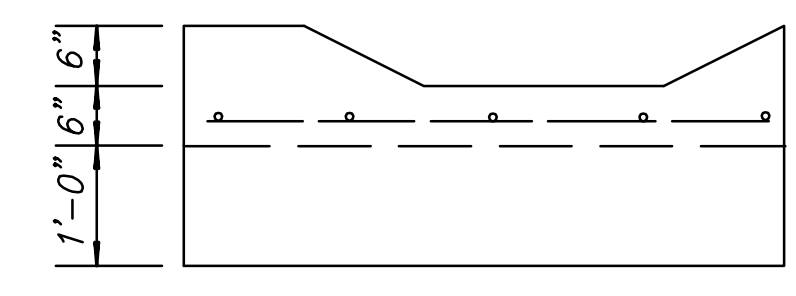
TYPICAL WALL SECTION



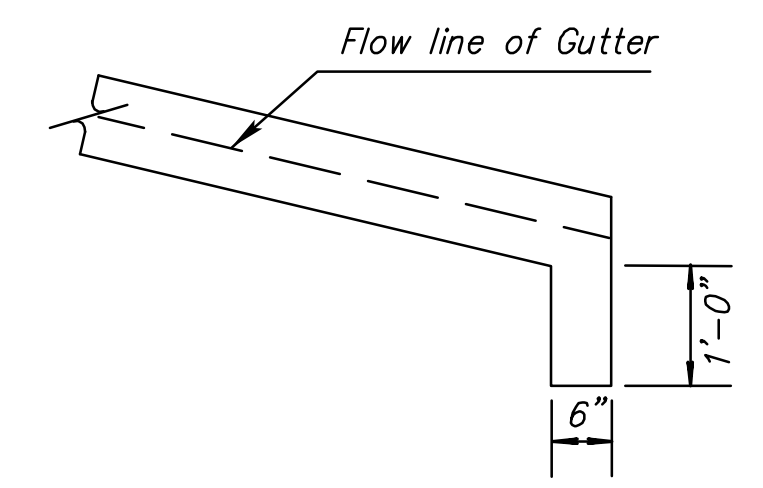
TYPICAL WALL PLAN



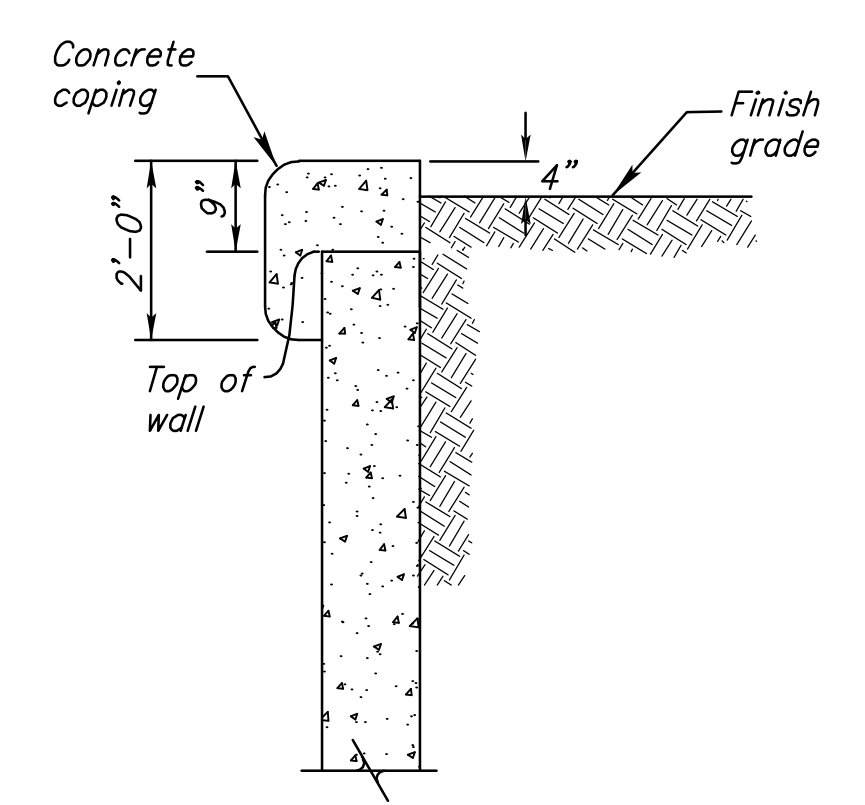
TYPICAL GUTTER SECTION



GUTTER END SECTION (DOWNSTREAM END)



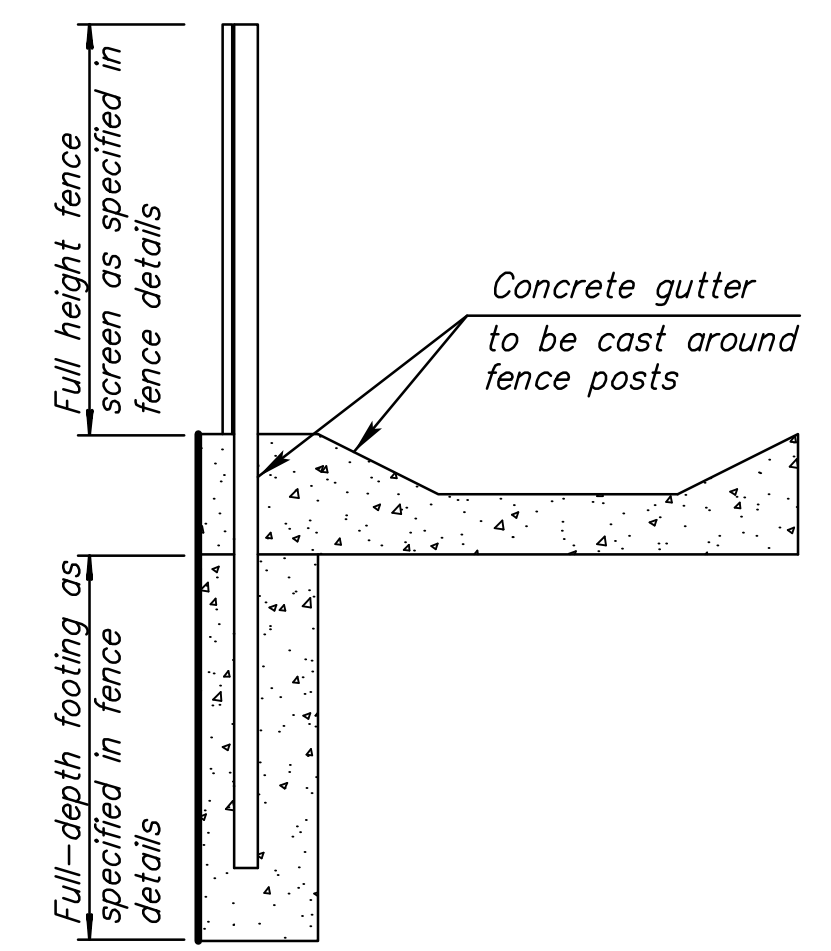
TYPICAL GUTTER ELEVATION



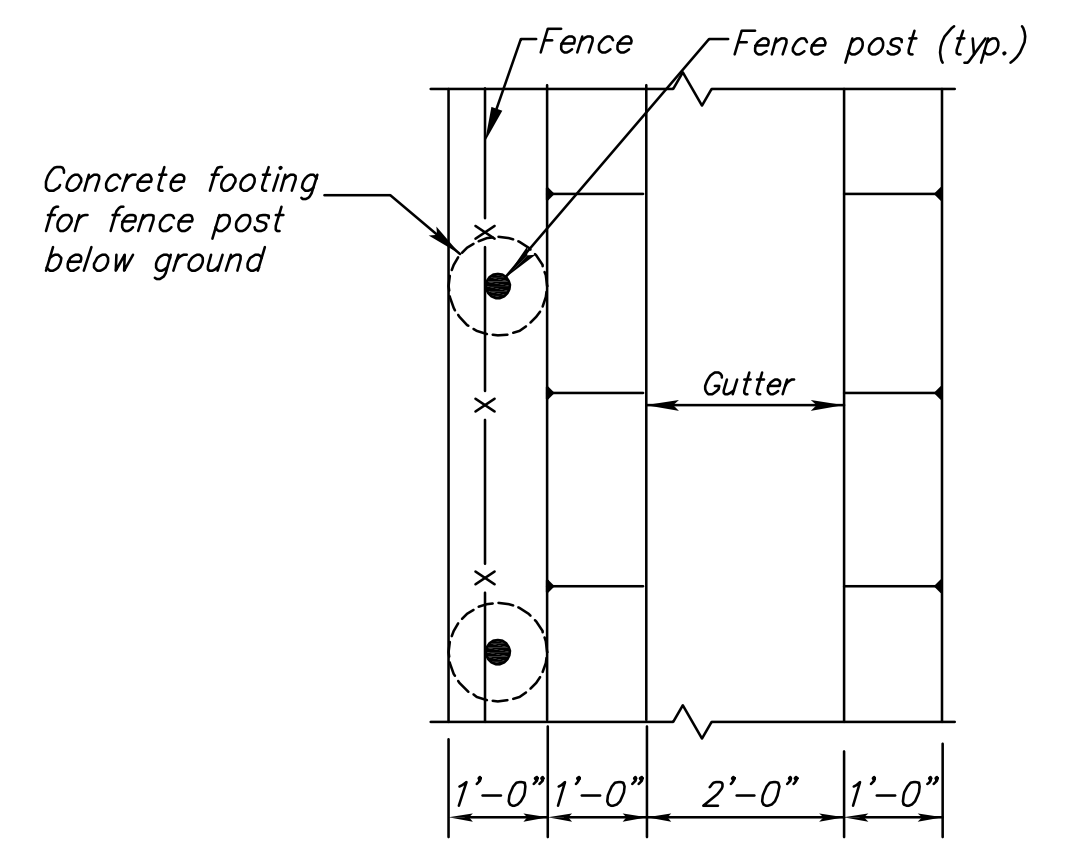
WALL ADJACENT TO EARTH BACKFILL

Notes:

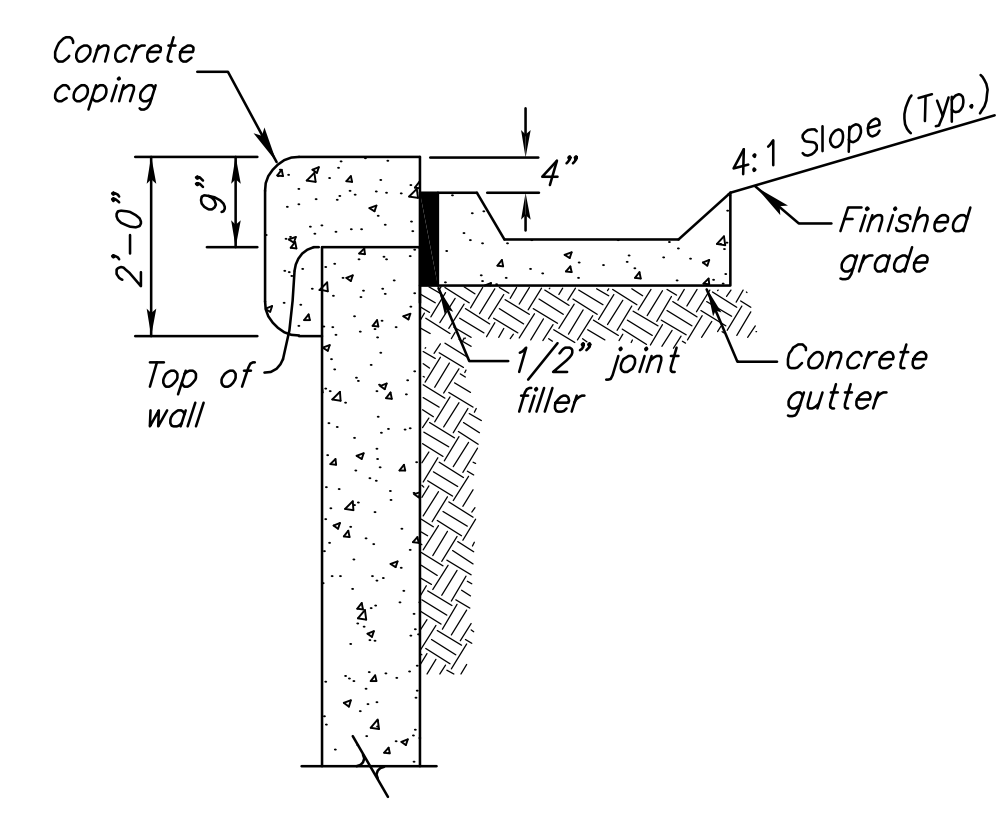
Wall shall include an underdrain system designed and constructed in accordance with the the wall manufacturer's recommendations.
Refer to the plans for fence location and type of fence at each location.
Cast-in-place or precast concrete coping shall be constructed at the top of all walls. Coping shall be designed by the wall manufacturer. Coping shall be properly reinforced and affixed to the wall. Concrete and reinforcing for coping shall conform to the requirements of the wall. Joints along the coping shall line up with the wall which the coping is affixed.



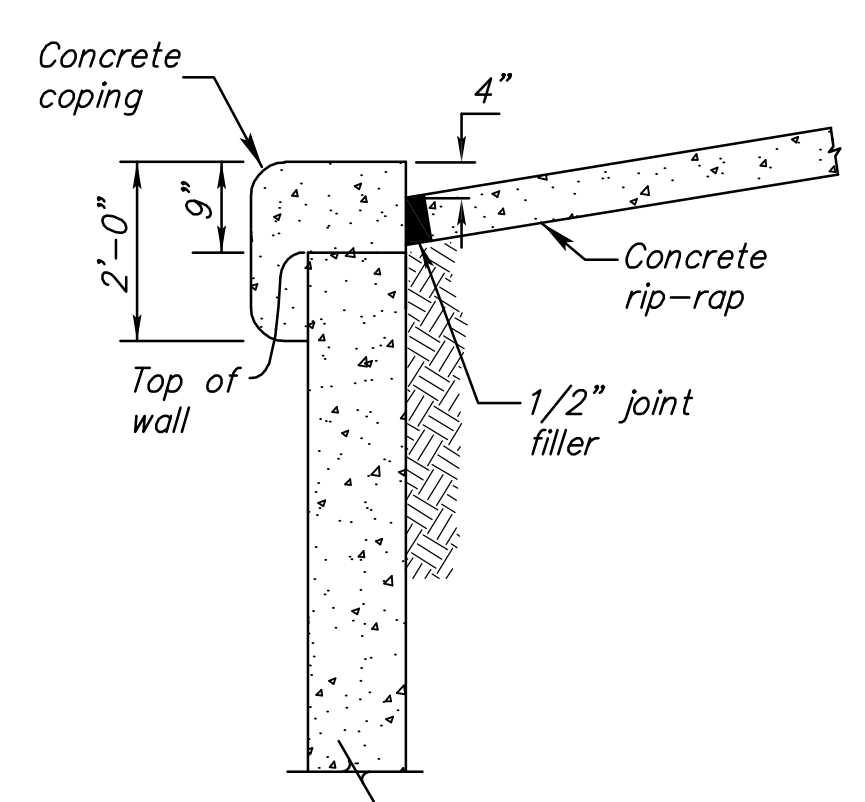
TYPICAL GUTTER SECTION SHOWING FENCE



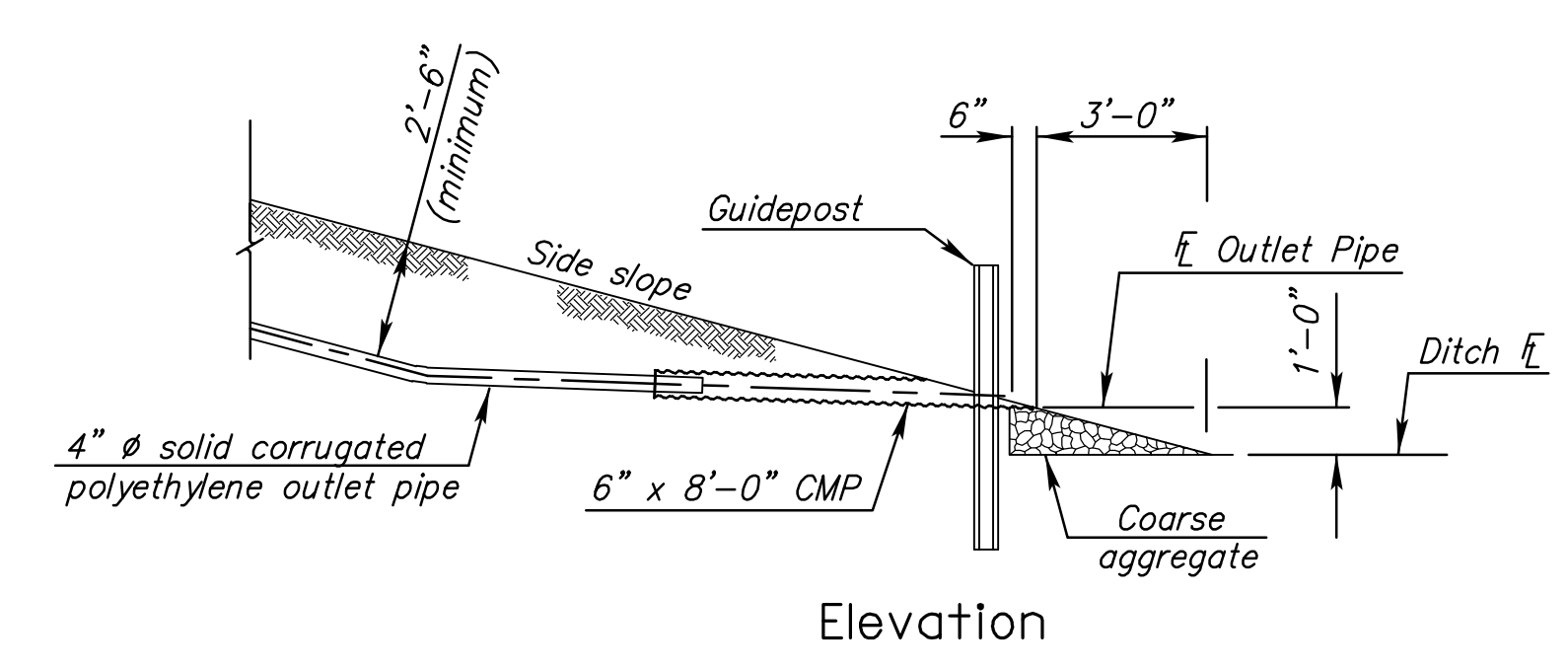
TYPICAL GUTTER PLAN SHOWING FENCE



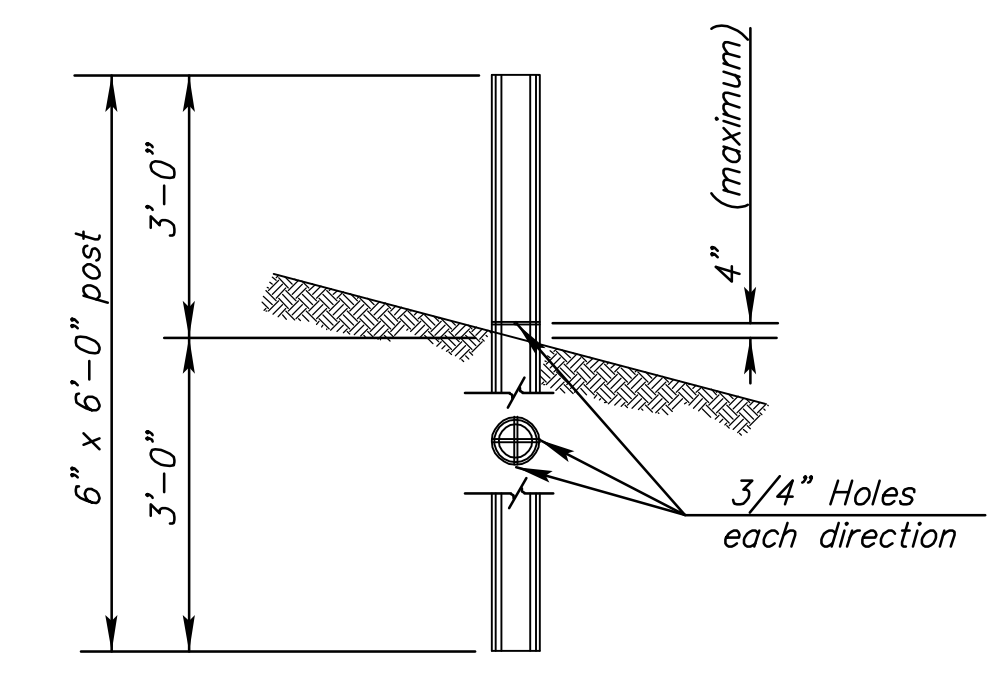
WALL ADJACENT TO CONCRETE GUTTER



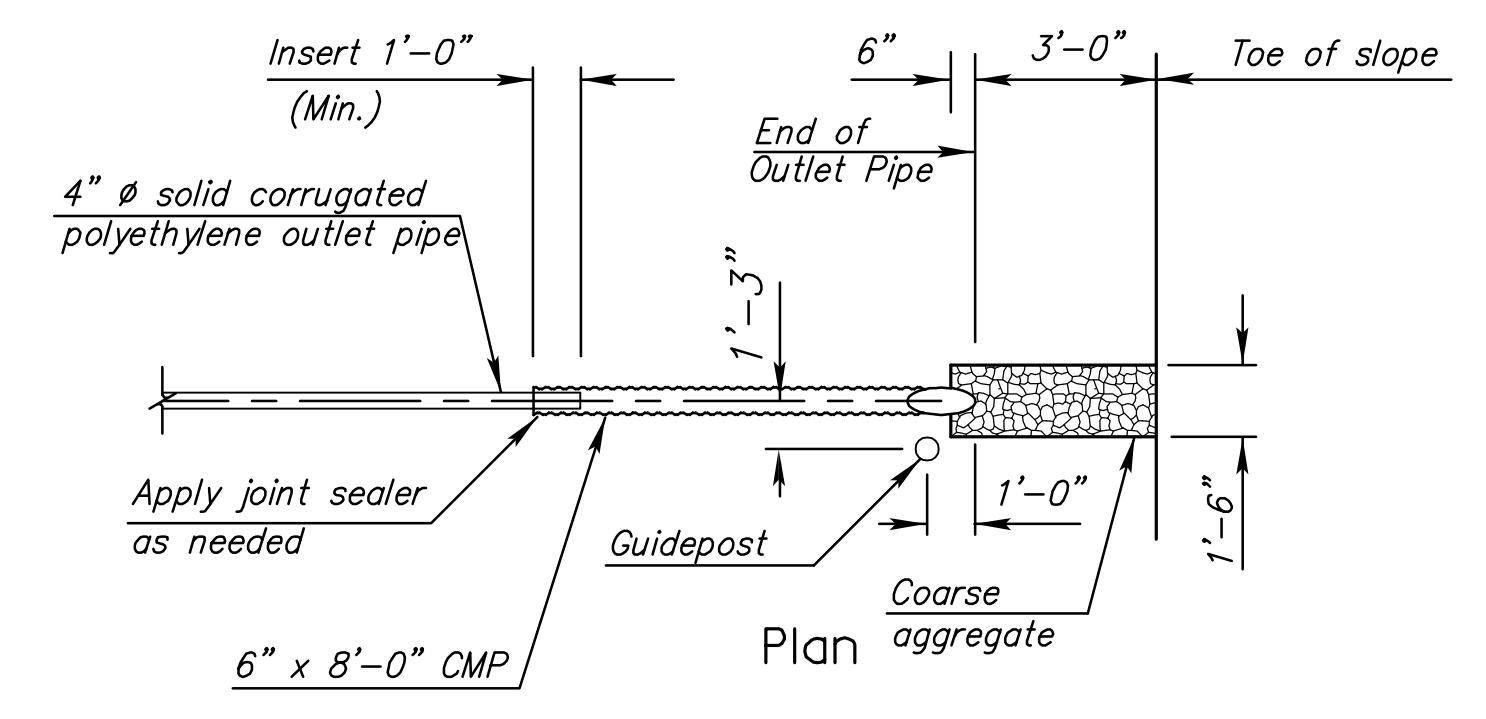
WALL ADJACENT TO CONCRETE RIP-RAP



Elevation



Wood Guide Post Option (6" x 6'-0")



Plan

GUIDE POST AT UNDERDRAIN OUTLET

Notes:

Install guide posts at locations where outlet pipes daylight at ditches or sideslopes. Cost of guide post is subsidiary to "Retaining Walls".
Wood Guide Posts: Apply a preservative treatment conforming to the KDOT Specifications to the posts. Use only one type of preservative treatment on a project. Apply two coats of aluminum paint to the top 18" of the posts. Apply one coat of International Orange paint to the top 12" of the posts. State forces will apply reflectorized material.
Fit the CMP end section with 1/4" galvanized mesh screen to prevent the entrance of rodents. Seal the joint between the outlet pipe and the end section with a joint sealer. Place coarse aggregate at the outlet end as shown.

PLOTED: Thursday, October 11, 2012 @ 10:45AM

J:\Civil\09081\dwg\Details\09081 Misc Walls