

STATE	PROJECT NO.	YEAR	SHEET NO.	TOTAL SHEETS
KANSAS	87 N-0519-01	2012	83	212

**MKEC**  
ENGINEERING  
CONSULTANTS, INC.

411 N. WEBB ROAD  
WICHITA, K.S. 67206  
316-684-9600

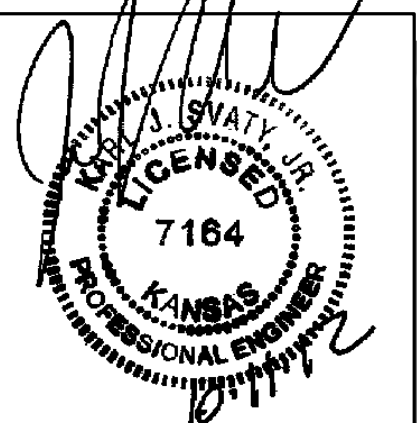
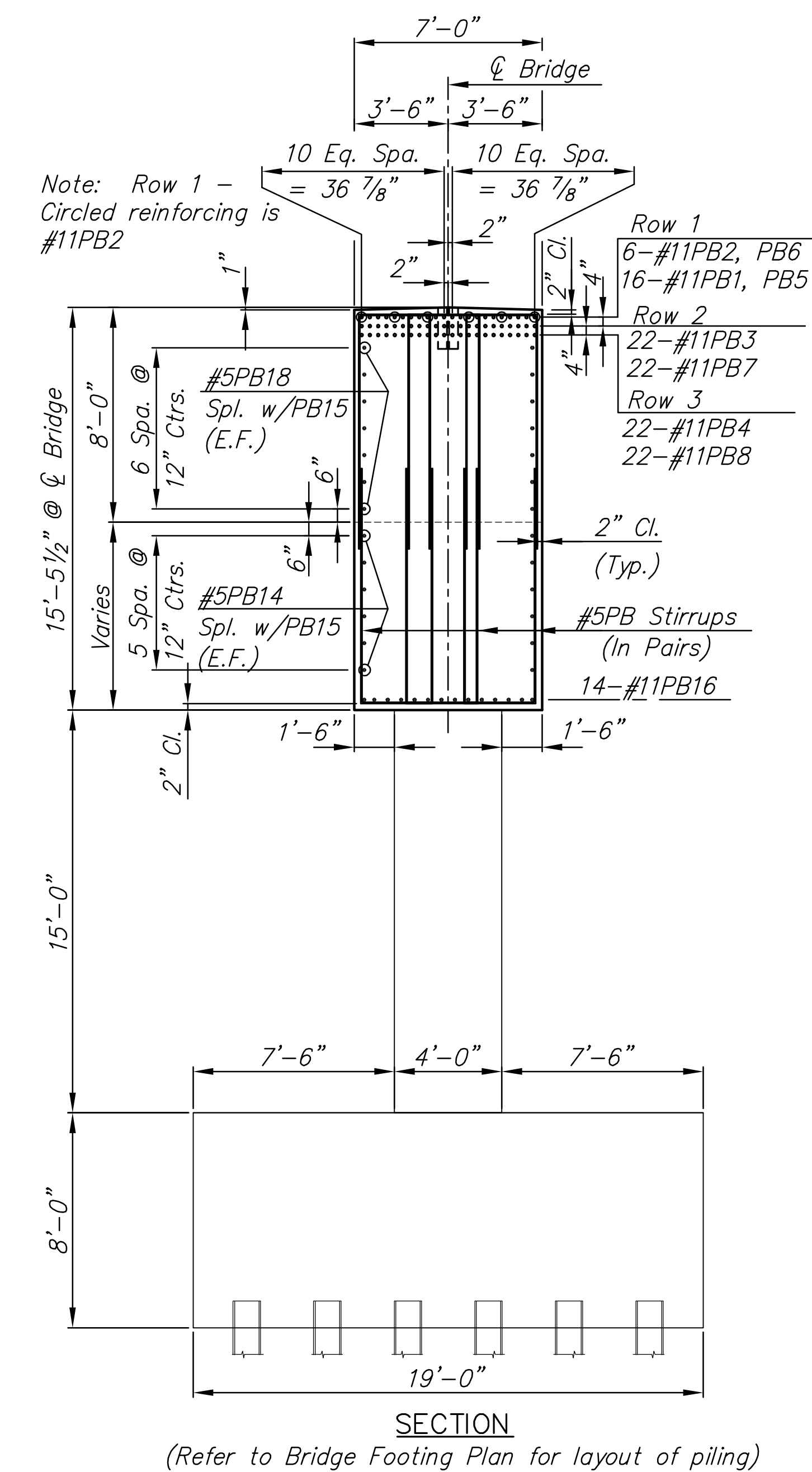
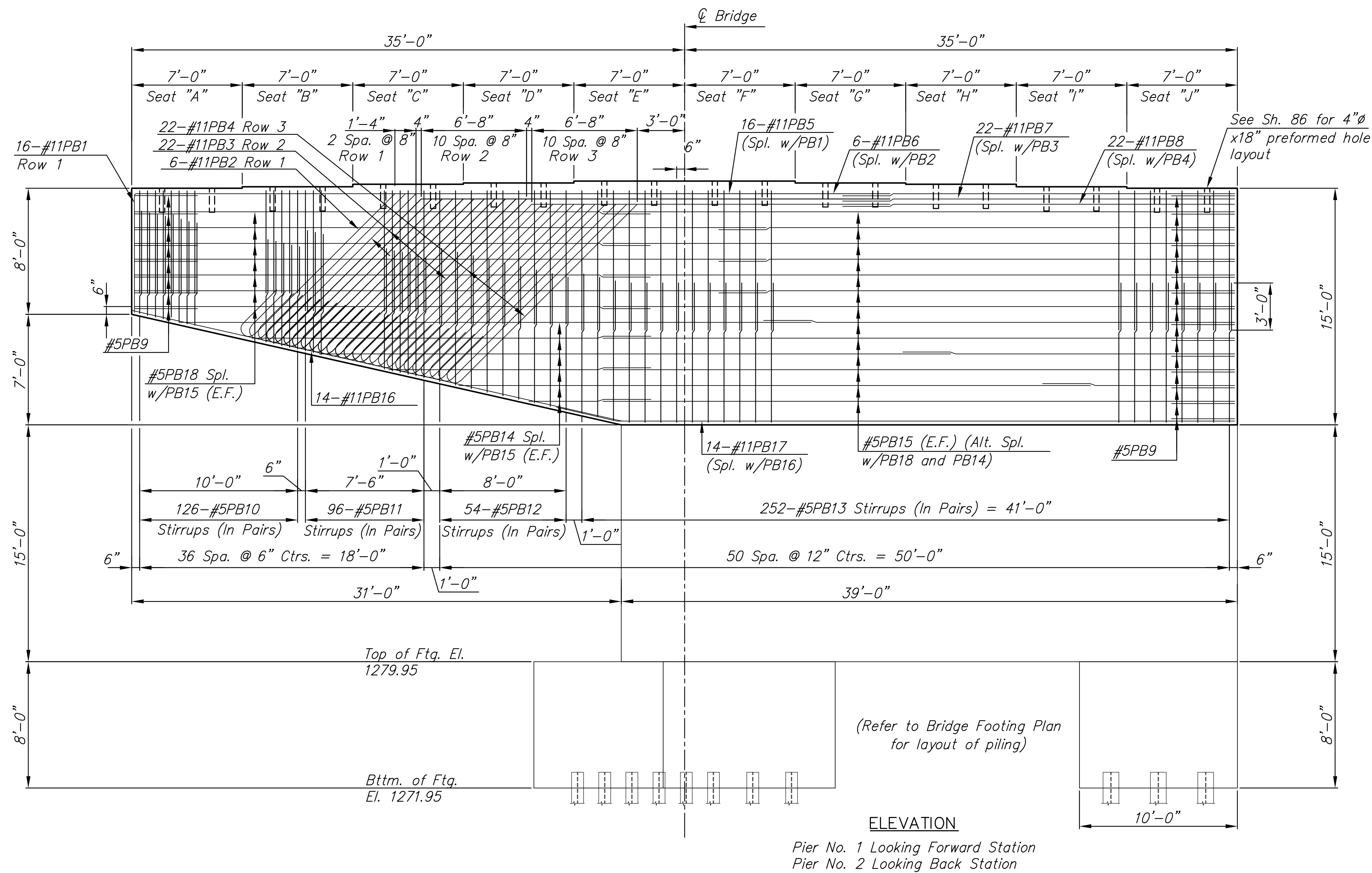
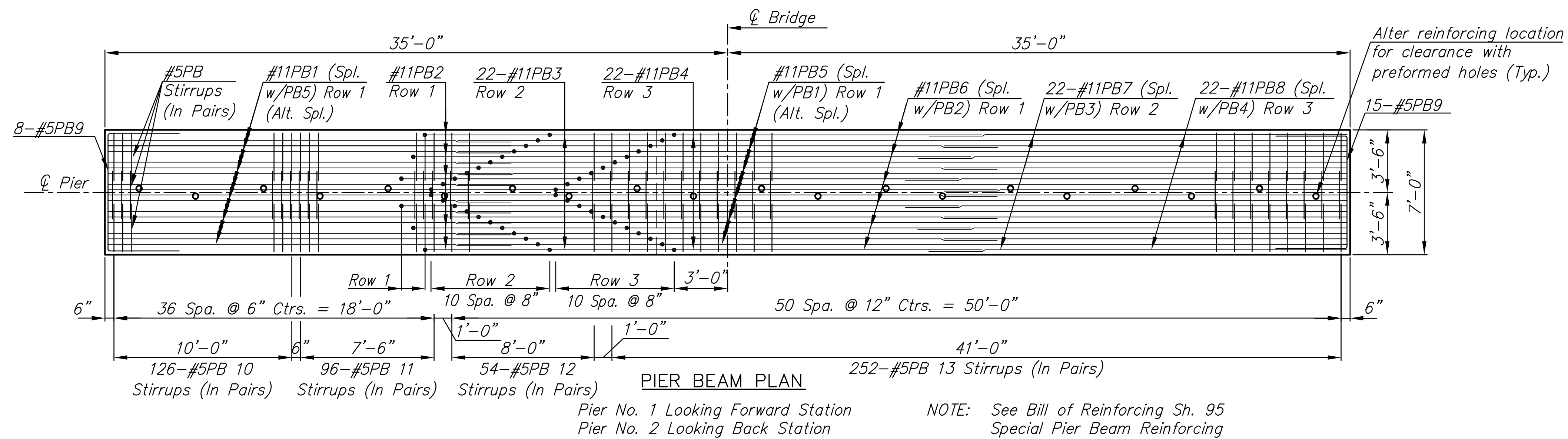


TABLE OF ELEVATIONS		
SEAT	CL BRNG. ELEVATION	
	PIER NO. 1	PIER NO. 2
A	1309.96	1309.96
B	1310.07	1310.07
C	1310.19	1310.19
D	1310.30	1310.30
E	1310.41	1310.41
F	1310.41	1310.41
G	1310.30	1310.30
H	1310.19	1310.19
I	1310.07	1310.07
J	1309.96	1309.96



**BROADWAY BRIDGE  
AT 34TH STREET SOUTH**

**BRIDGE  
PIER  
BEAM  
DETAILS**

472-84830  
PROJECT NUMBER

JAG  
DESIGN BY  
DPG  
DRAWN BY  
KJS  
CHECKED BY

ISSUED  
October 9, 2012  
REVISED

SHEET NO.  
**83 of 212**

PLOTTED: Thursday, October 11, 2012 @ 10:48AM

J:\Civil\09081.dwg\BRIDGE\09081\_PIR\_01