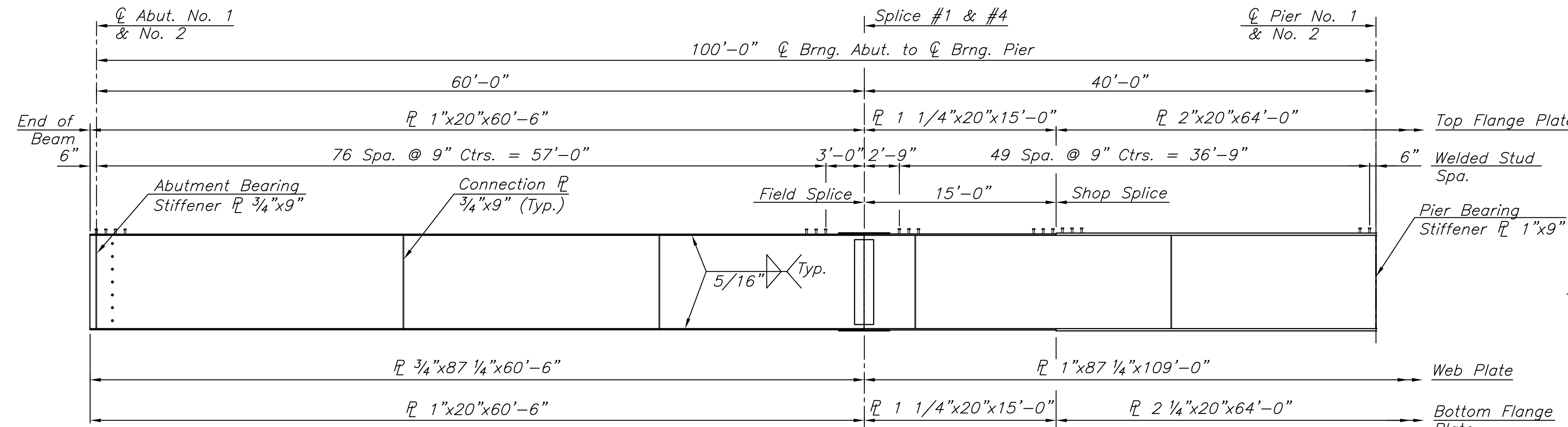
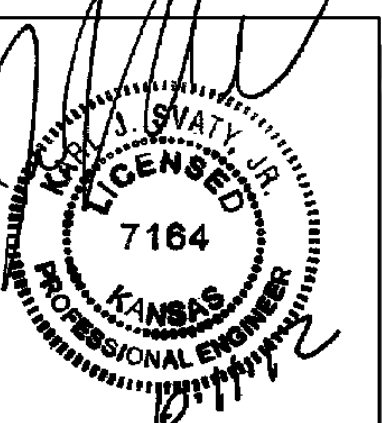
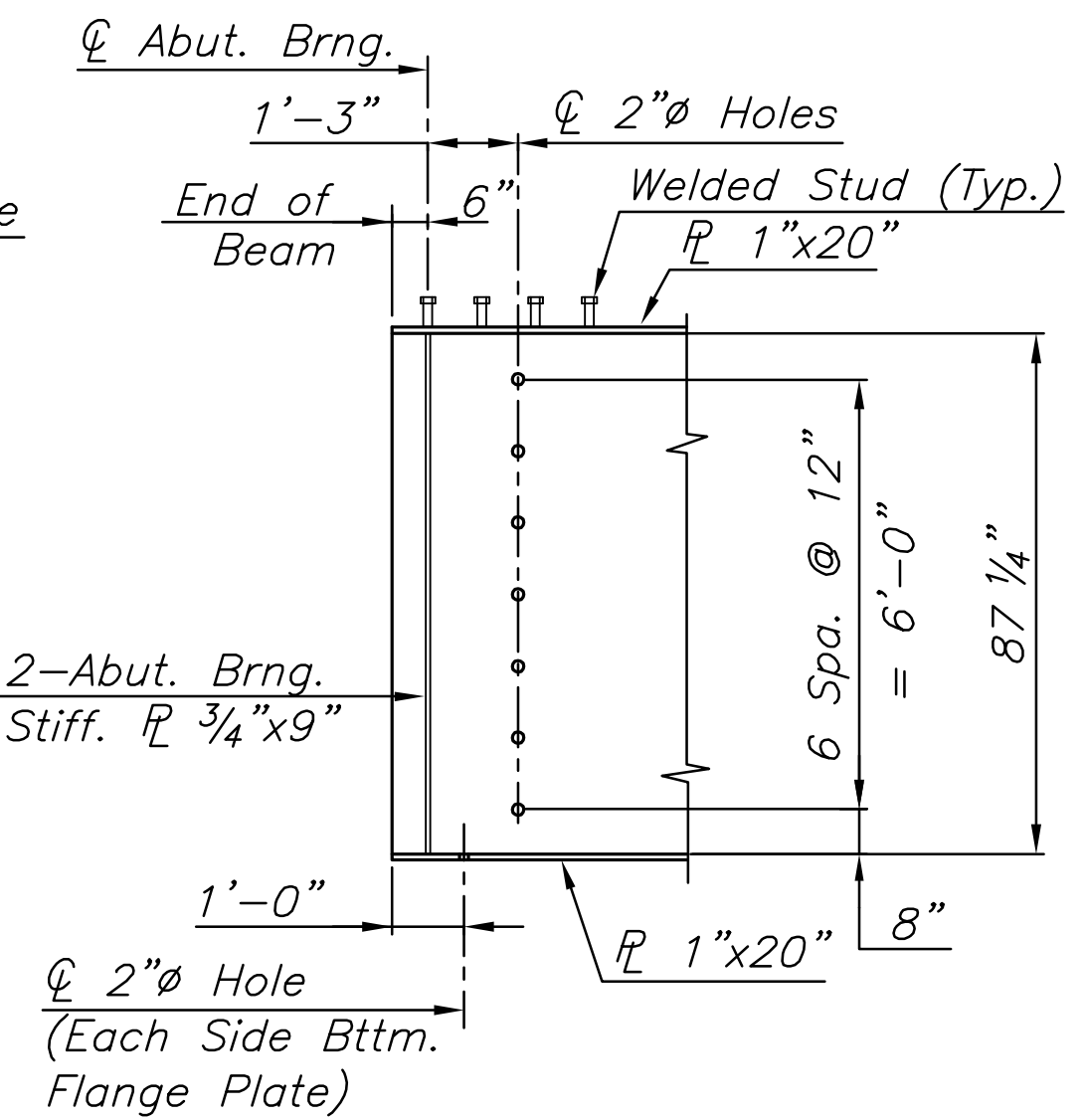


STATE	PROJECT NO.	YEAR	SHEET NO.	TOTAL SHEETS
KANSAS	87 N-0519-01	2012	88	212

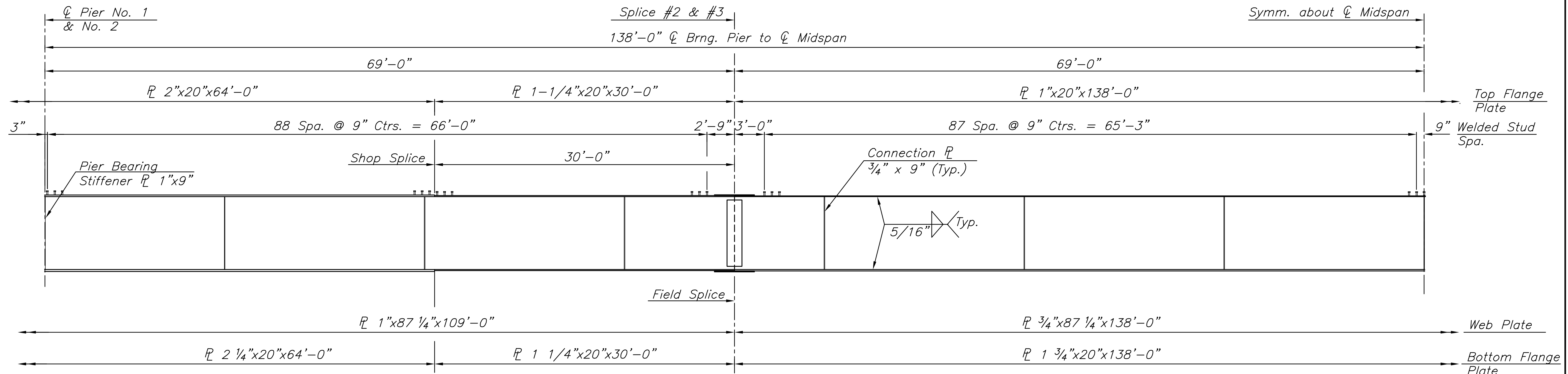
MKEC
ENGINEERING
CONSULTANTS, INC.
411 N. WEBB ROAD
WICHITA, K.S. 67206
316-684-9600



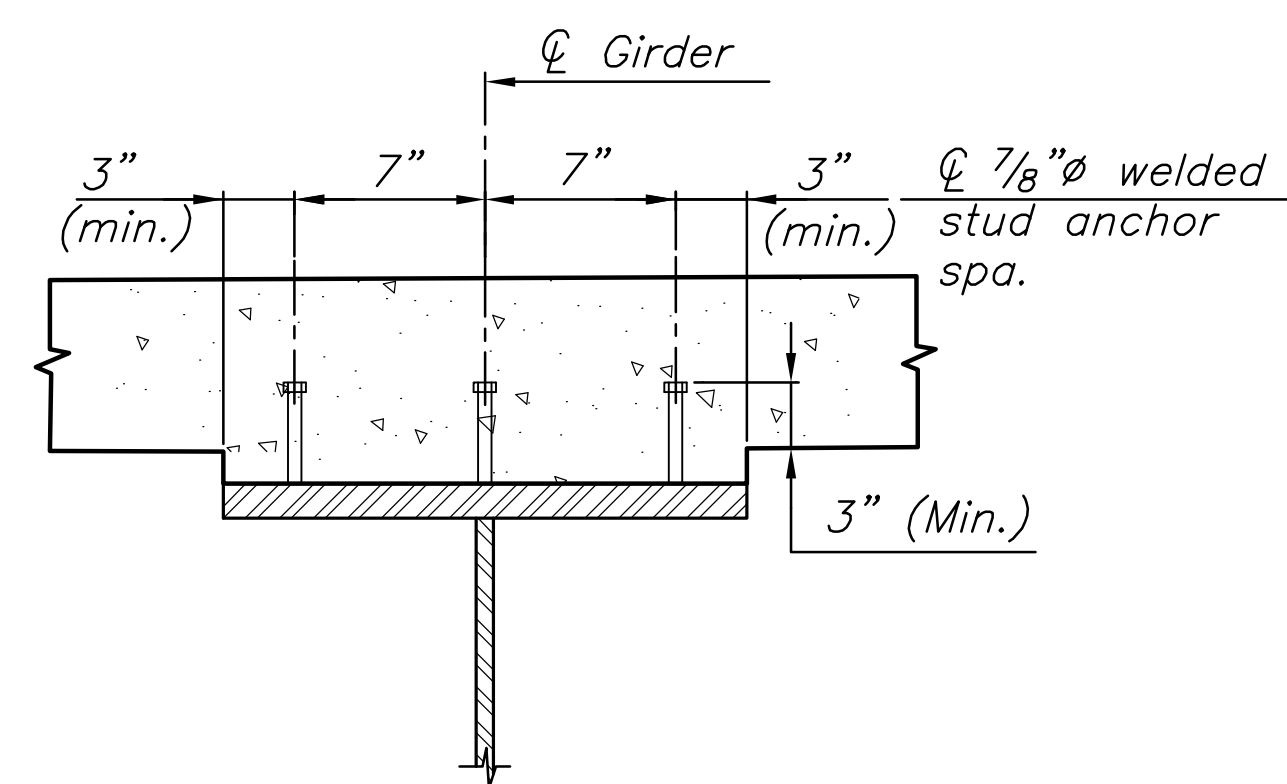
PART GIRDER ELEVATION



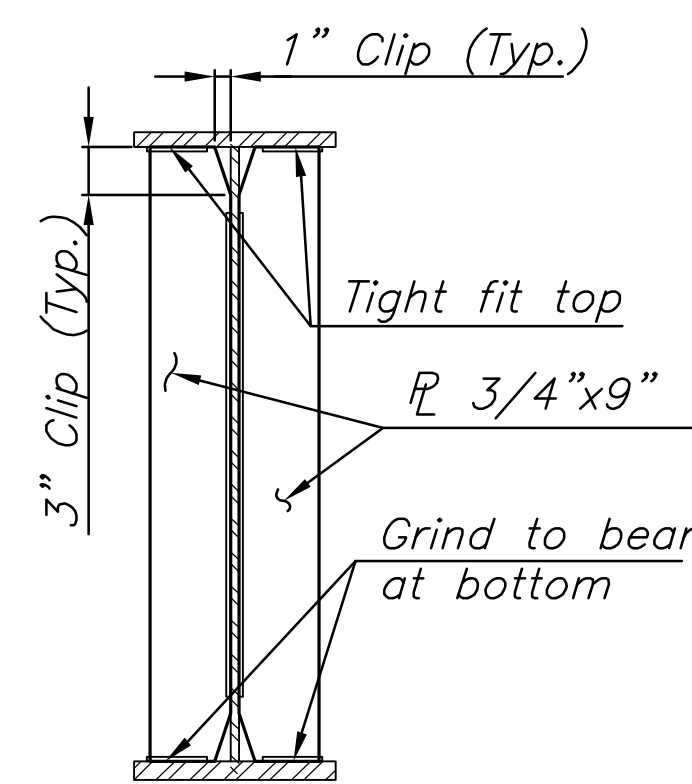
END GIRDER DETAIL



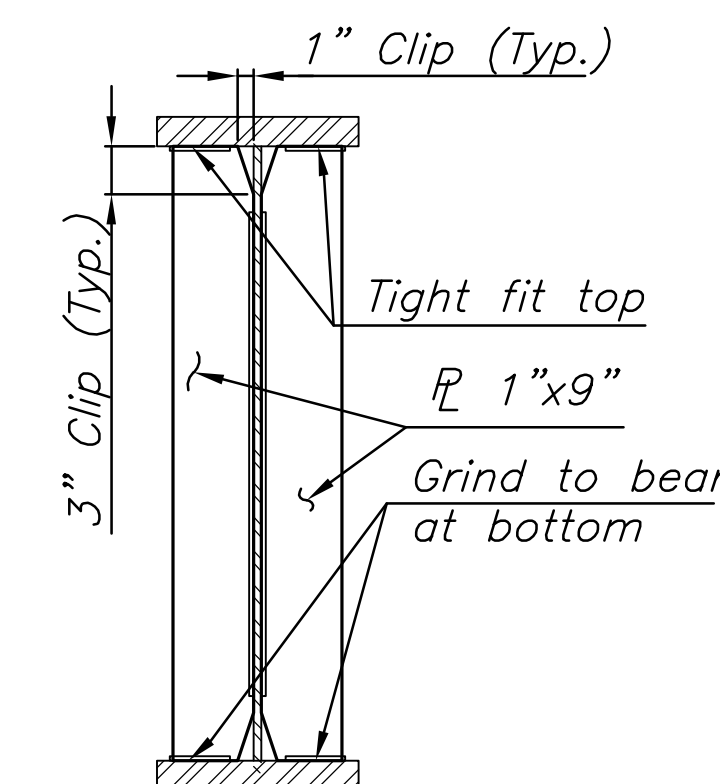
PART GIRDER ELEVATION



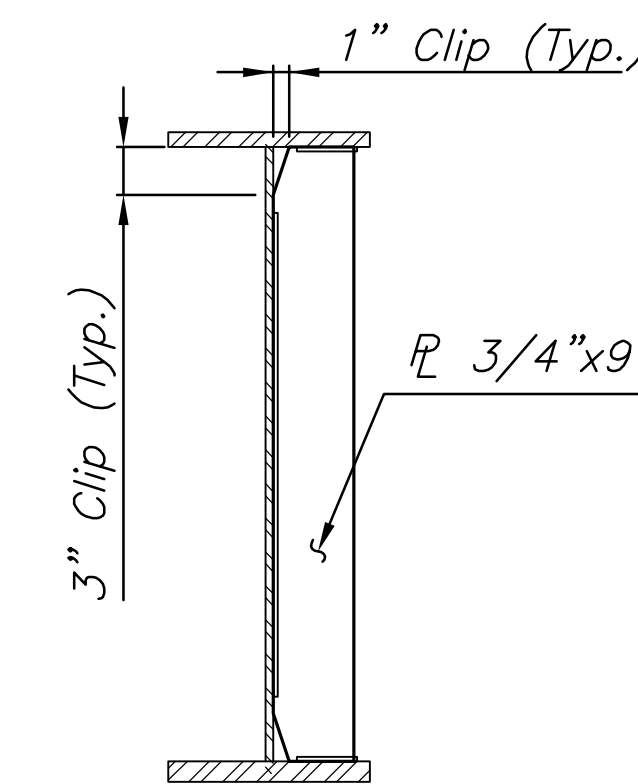
WELDED STUD SHEAR CONNECTOR DETAIL
All welded stud shear connectors shall conform to AASHTO M169 requirements.



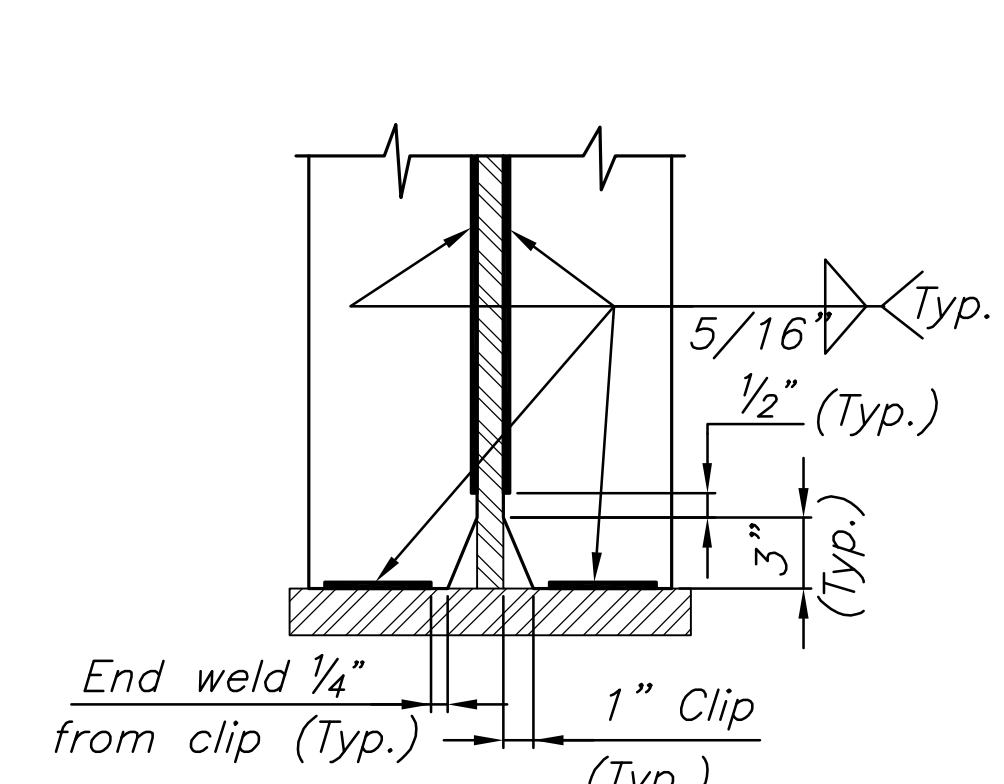
ABUTMENT BEARING STIFFENER DETAIL



PIER BEARING STIFFENER DETAIL



CONNECTION PLATE DETAIL
(Exterior Girder Shown)



STIFFENER AND CONNECTION PLATE WELD DETAIL

PLOTED: Thursday, October 11, 2012 @ 10:49AM

**BROADWAY BRIDGE
AT 34TH STREET SOUTH**

WELDED PLATE GIRDER DETAILS
SHEET TITLE
472-84830
PROJECT NUMBER

JAG
DESIGN BY
DMU
DRAWN BY
KJS
CHECKED BY

ISSUED
October 9, 2012

SHEET NO.
88 of 212

J:\Civil\09081.dwg\BRIDGE\09081 GIRDER