

MKEC
ENGINEERING
CONSULTANTS, INC.

411 N. WEBB ROAD
WICHITA, KS. 67206
316-684-9600

BROADWAY BRIDGE AT 34TH STREET SOUTH

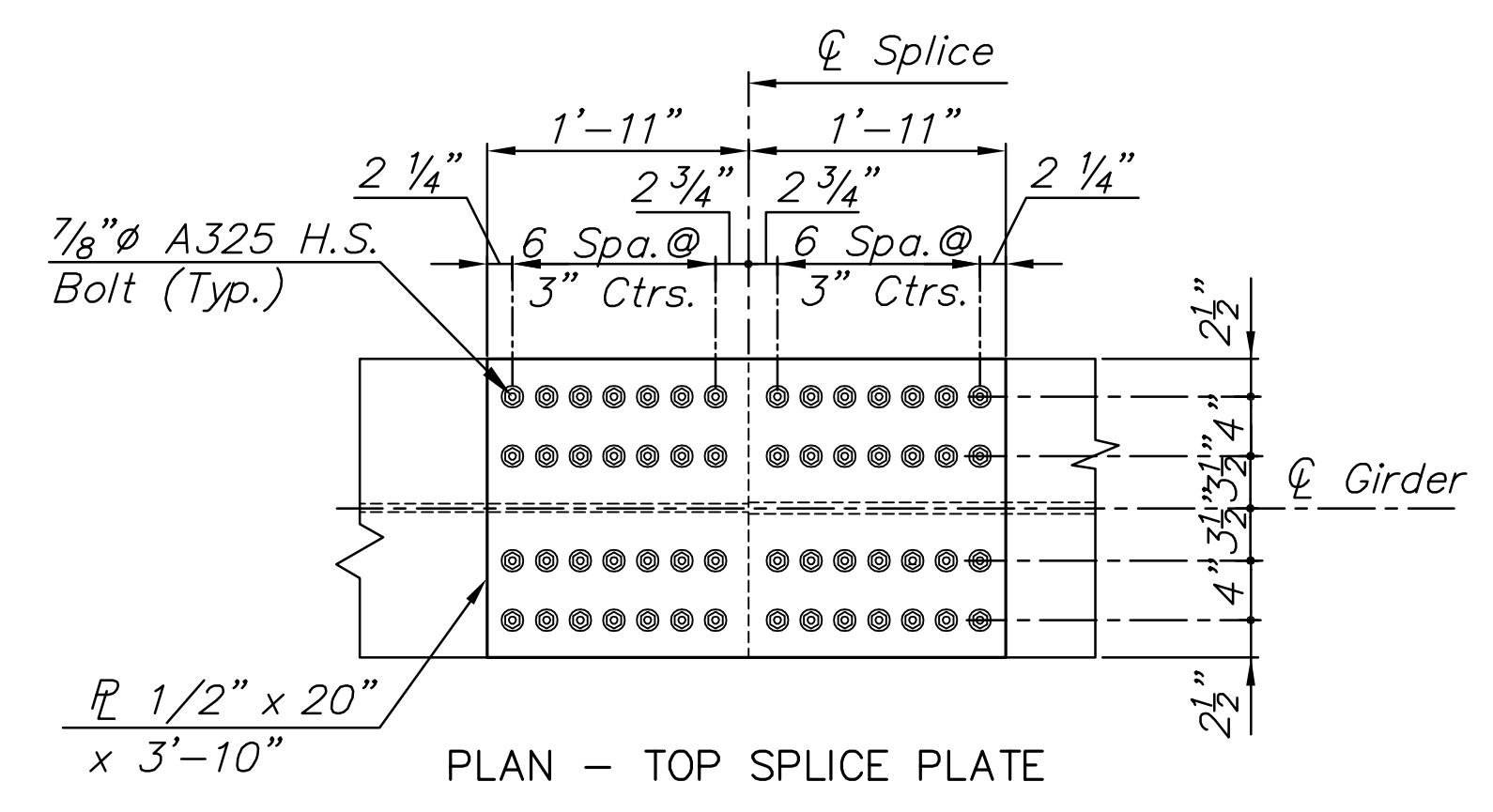
**PLATE GIRDER
SPlice
DETAIL**

SHEET TITLE
472-84830
PROJECT NUMBER

DESIGN BY: **KJS**
DRAWN BY: **DPG**
CHECKED BY: **JAG**

ISSUED
October 9, 2012

SHEET NO.
89 of 212



BOLTED FIELD GIRDER SPLICE NOTES:

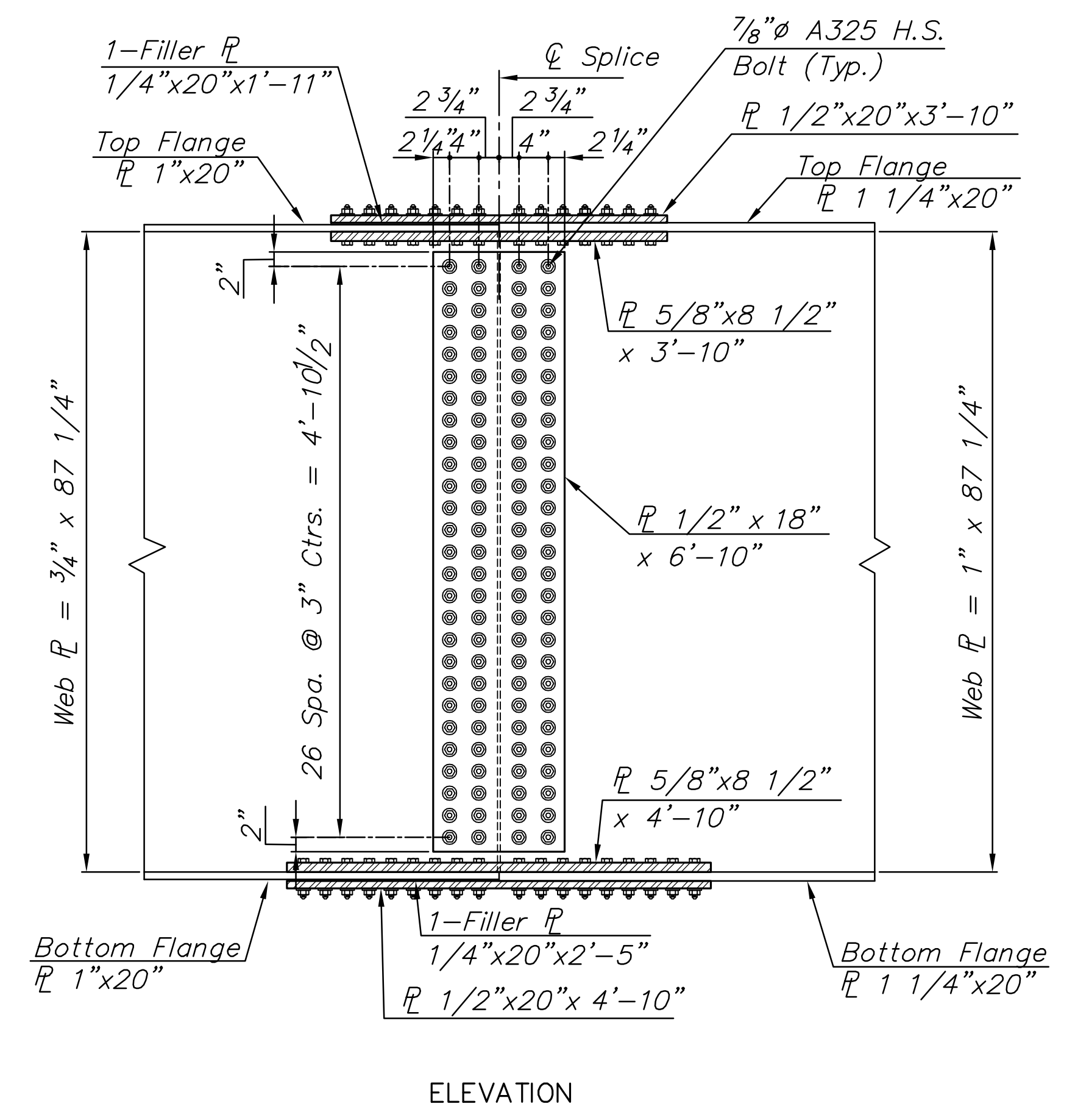
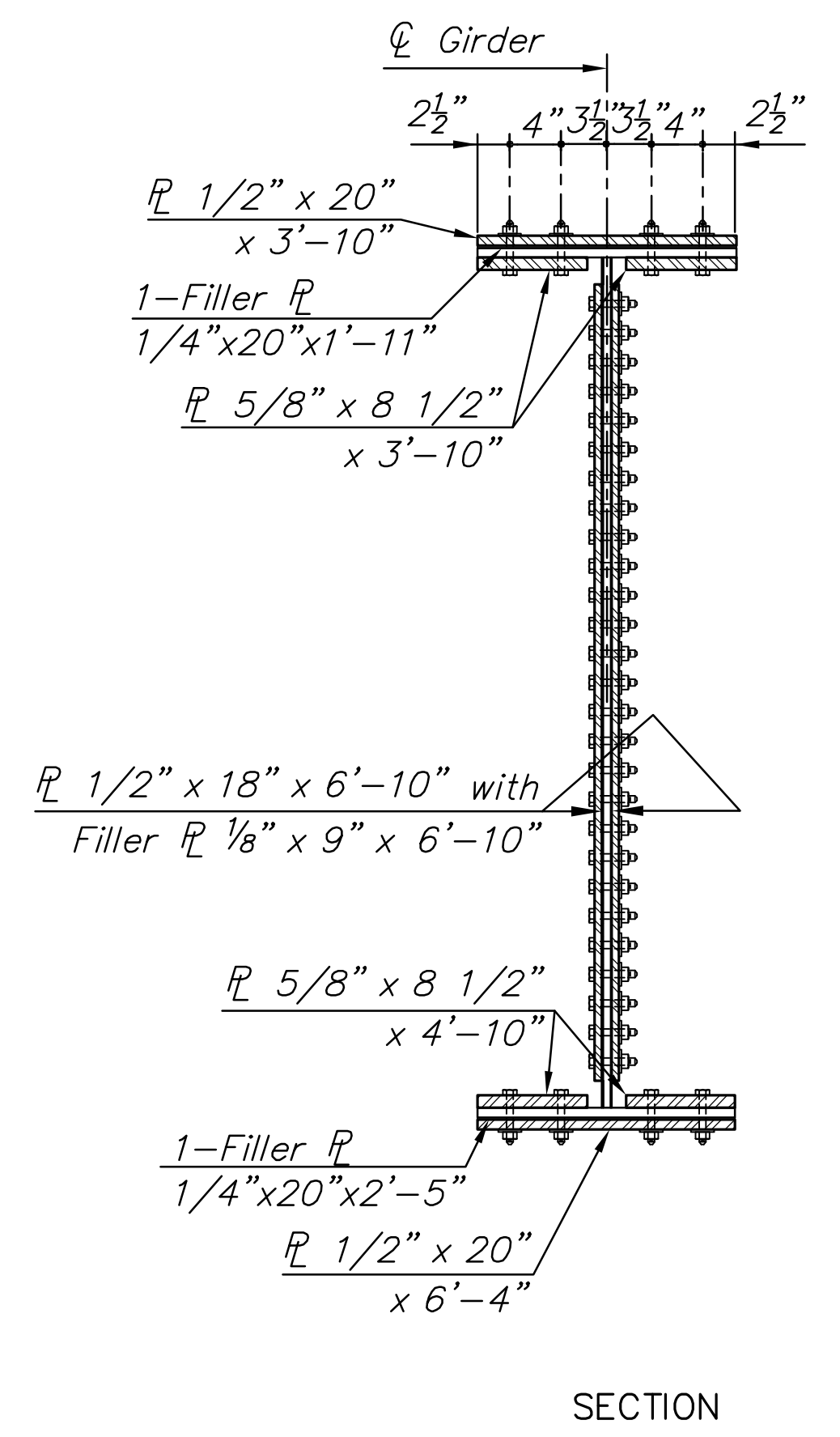
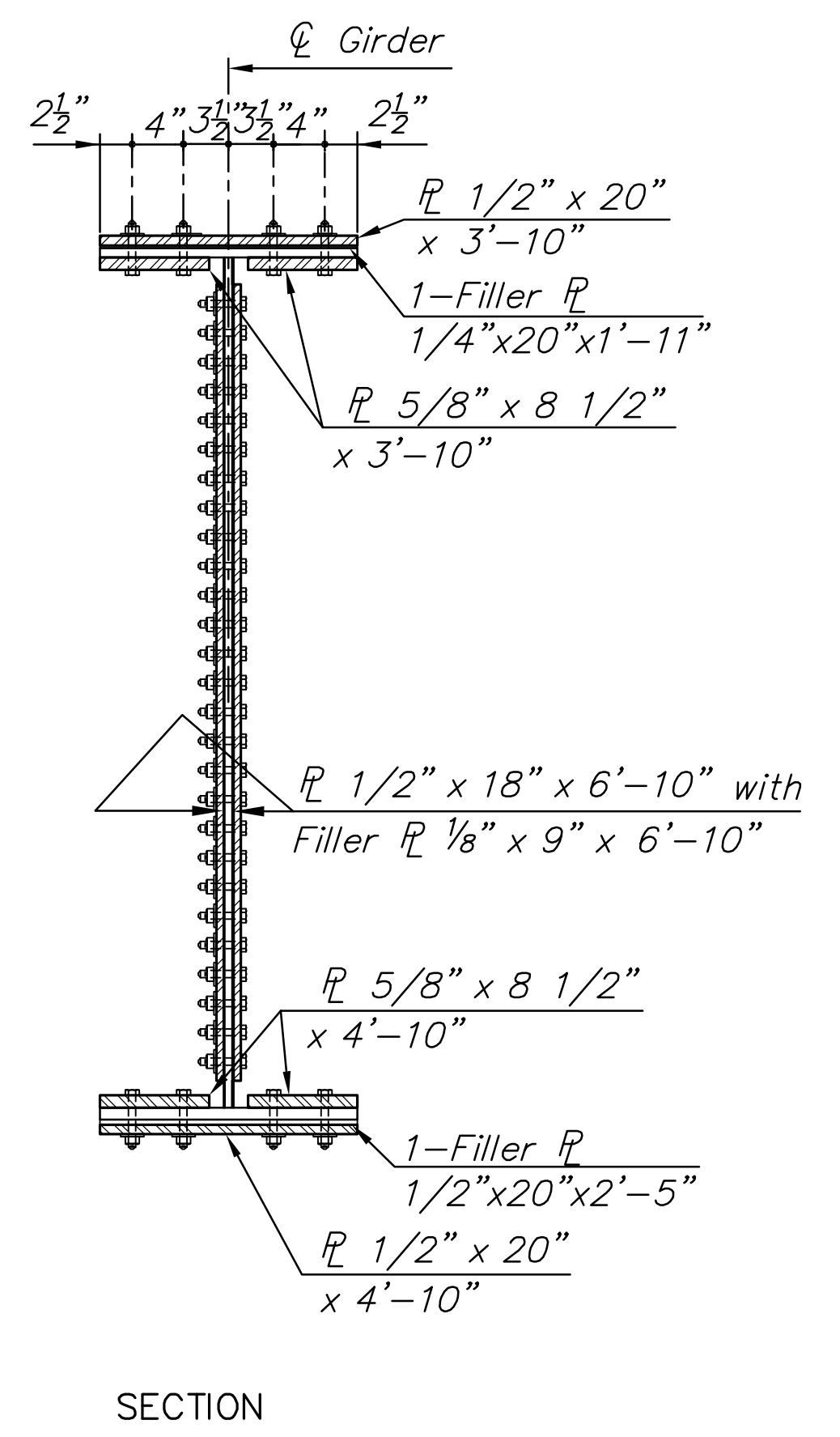
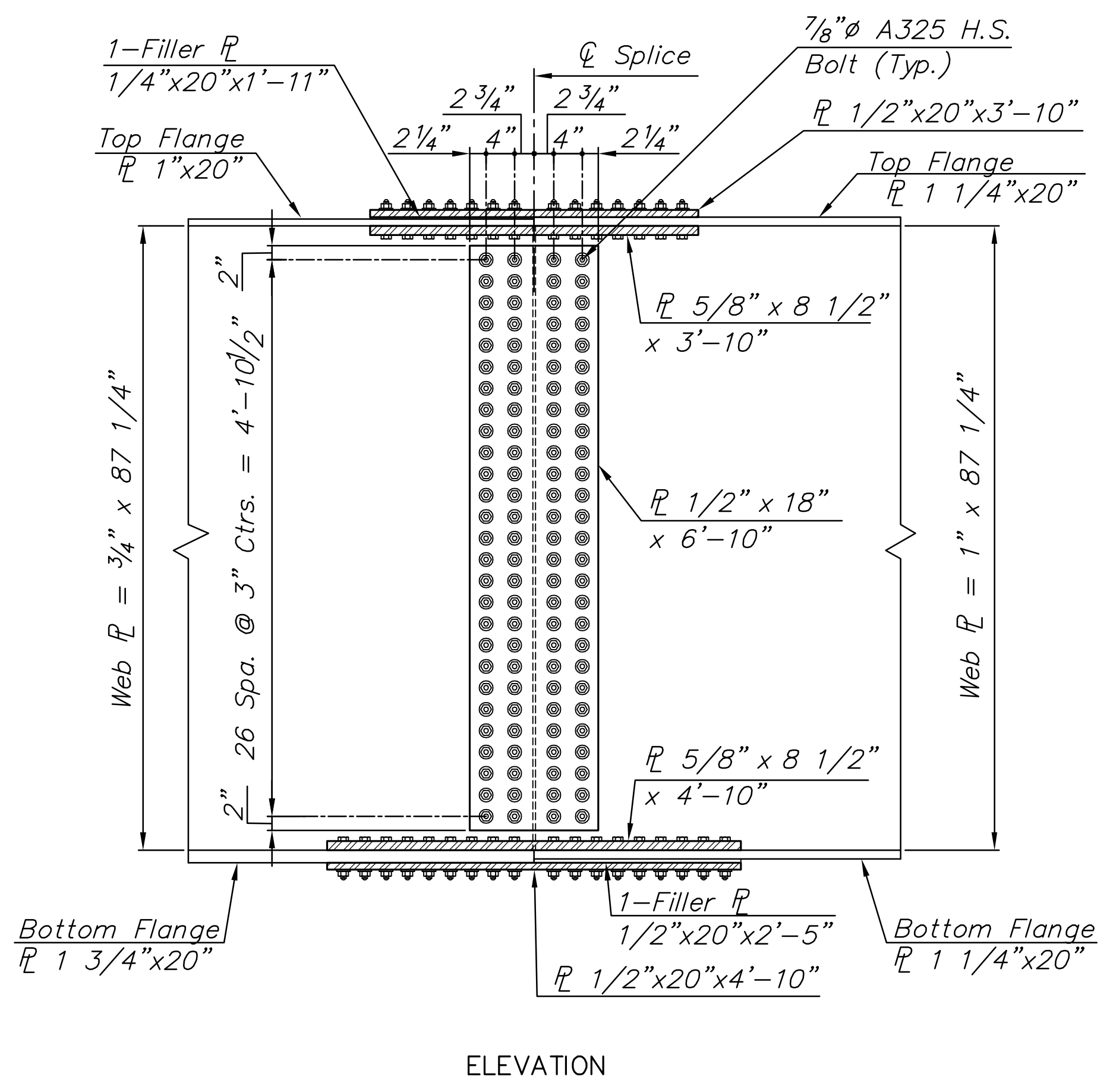
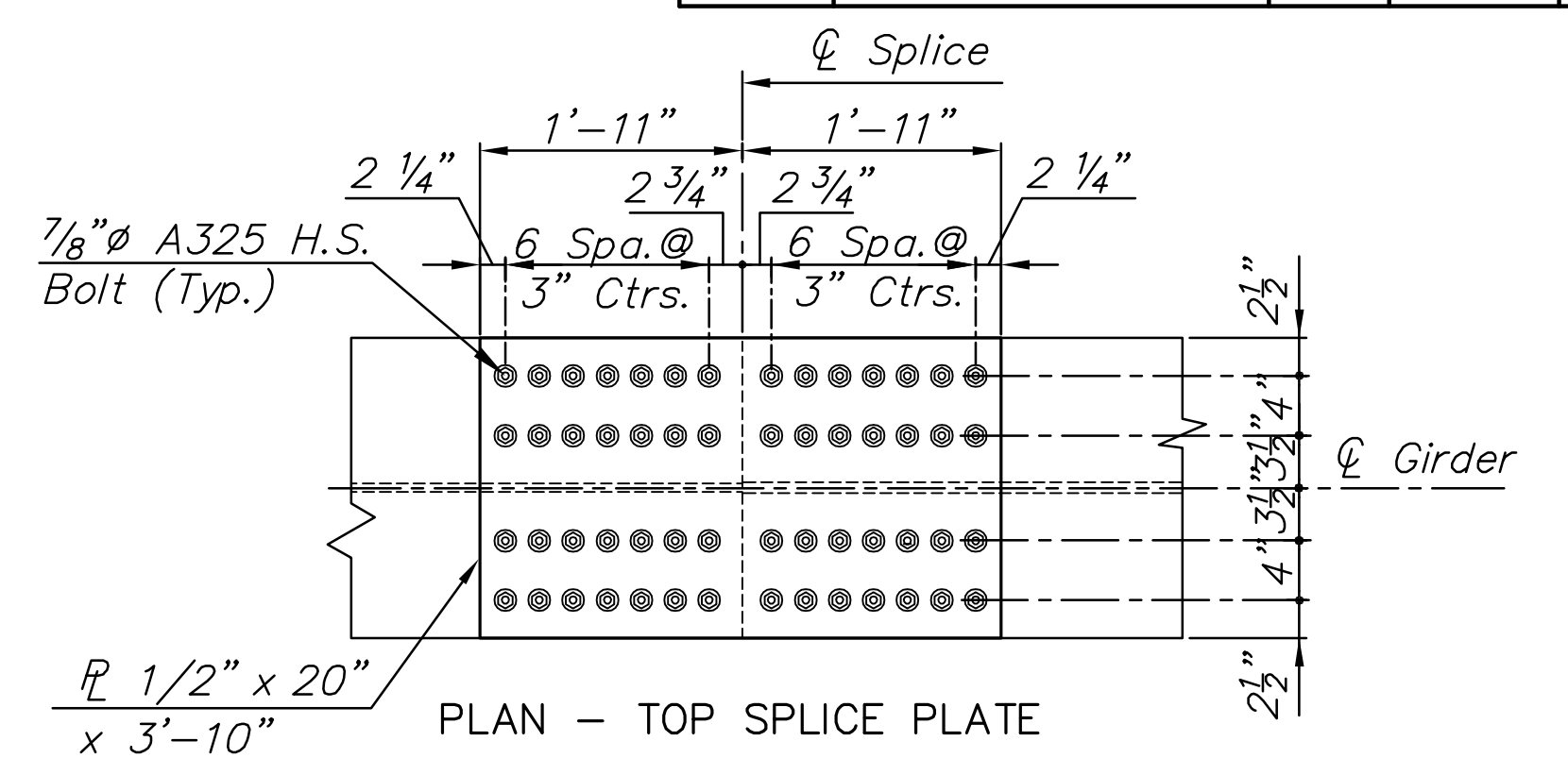
Provide 7/8"Ø bolts with a 15/16"Ø bolt hole for all field splice, connections. All bolts, nuts and washers for field splice connections shall conform to the heavy hex structural requirements of ASTM A325 Type 3, unless otherwise noted.

For Field Splice Location See Sheet No. 87.

Blast clean all connecting surfaces prior to installing field splice.

DEAD LOAD CAMBER AT FIELD SPLICE (INCHES)

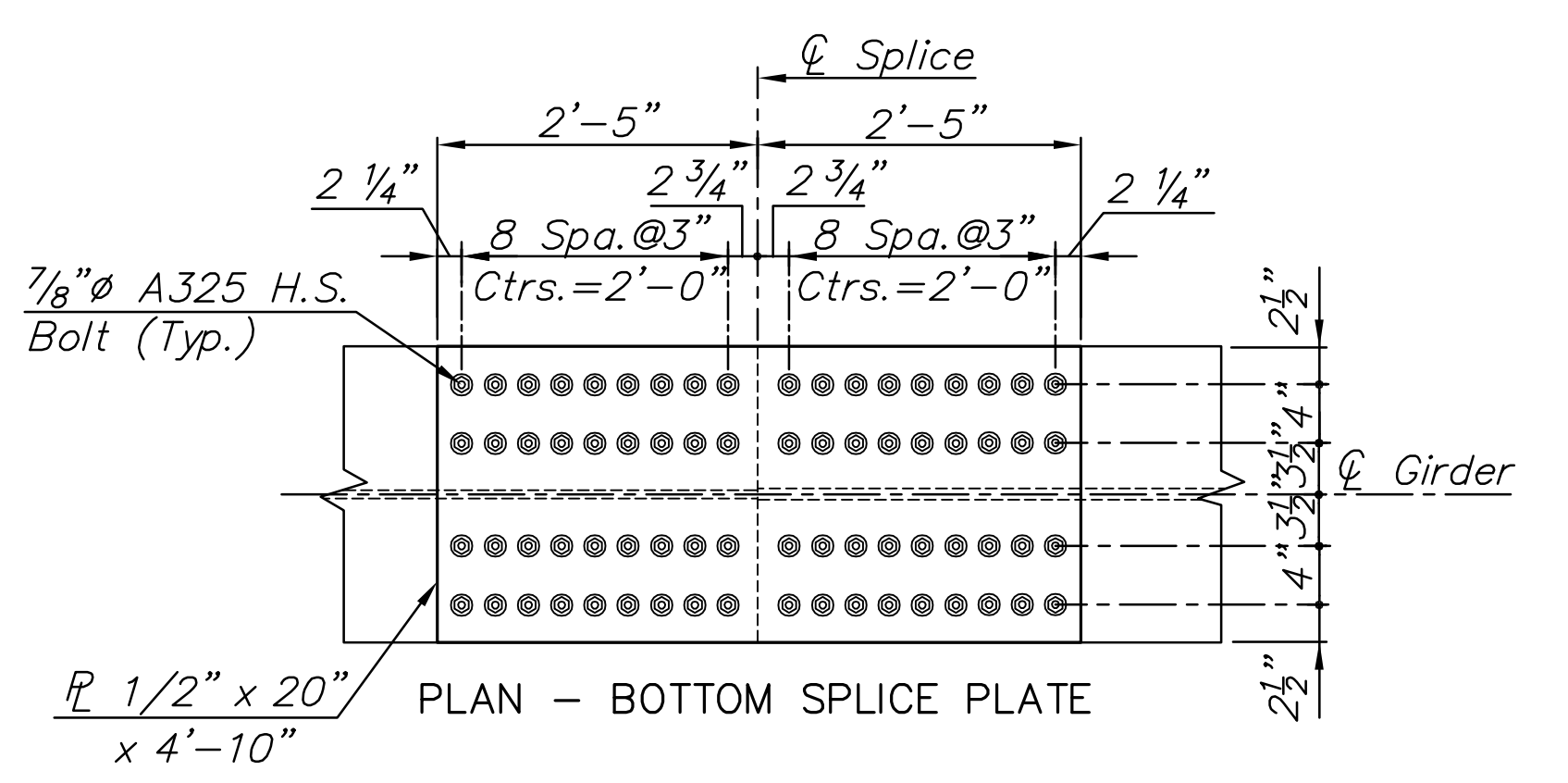
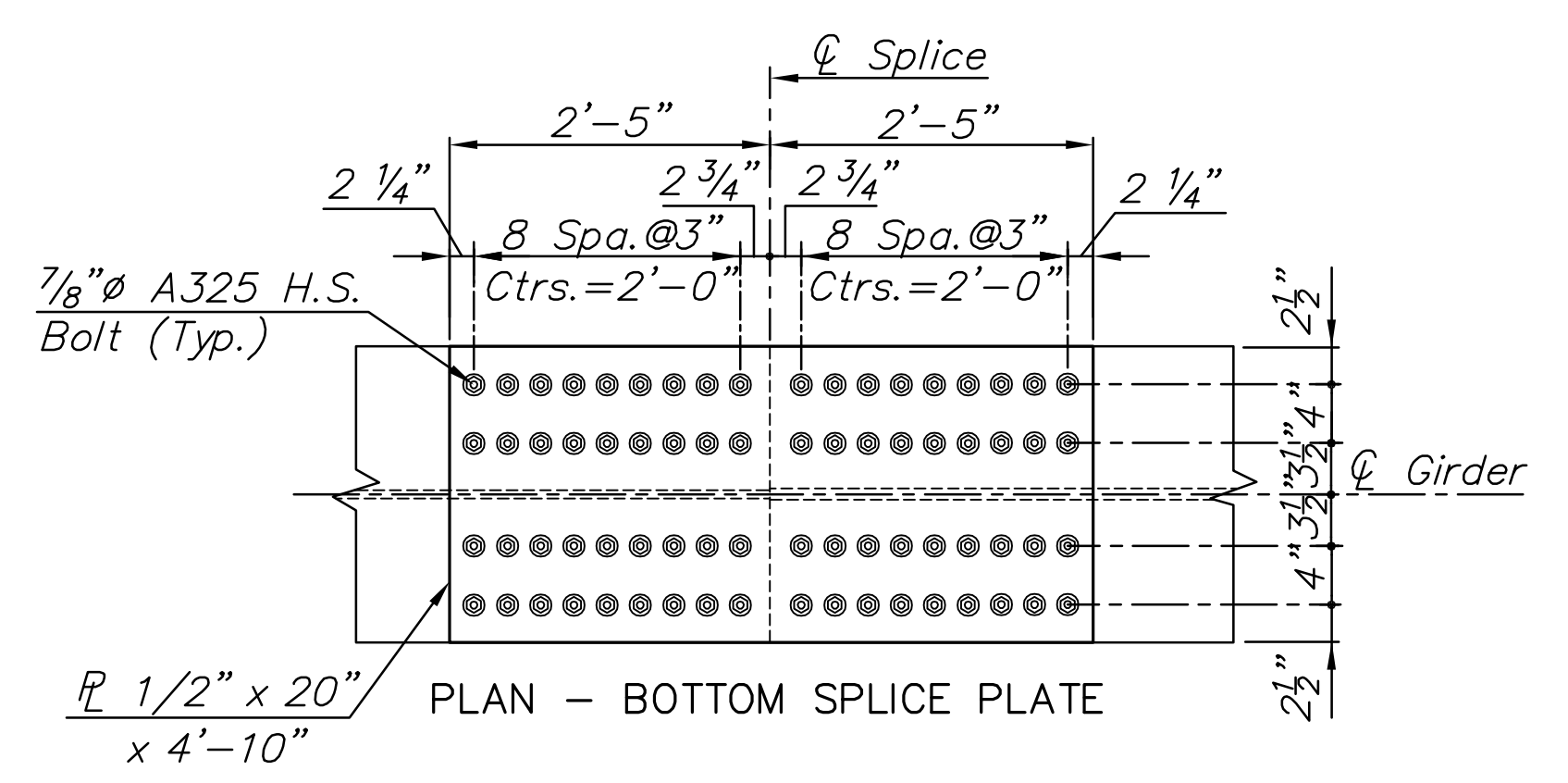
Field Splice	Steel	Concrete	TOTAL
No. 1	-0.52	-0.84	-1.36
No. 2	2.79	4.56	7.35
No. 3	2.79	4.56	7.35
No. 4	-0.52	-0.84	-1.36



GIRDER FIELD SPLICE ELEVATION *

GIRDER	FIELD SPLICE NO.			
	No. 1	No. 2	No. 3	No. 4
'A'	1317.18	1319.44	1319.44	1317.18
'B'	1317.29	1319.55	1319.55	1317.29
'C'	1317.40	1319.66	1319.66	1317.40
'D'	1317.51	1319.77	1319.77	1317.51
'E'	1317.62	1319.88	1319.88	1317.62
'F'	1317.62	1319.88	1319.88	1317.62
'G'	1317.51	1319.77	1319.77	1317.51
'H'	1317.40	1319.66	1319.66	1317.40
'I'	1317.29	1319.55	1319.55	1317.29
'J'	1317.18	1319.44	1319.44	1317.18

* Elevations are at the top of splice plates and include the theoretical camber before deck pour. Elevations are computed by subtracting 11 1/2" from slab elevation



BOLTED FIELD GIRDER SPLICE #2 AND #3
(20 Splices Required)

BOLTED FIELD GIRDER SPLICE #1 AND #4
(20 Splices Required)

PLOTED: Thursday, October 11, 2012 @ 10:49AM

J:\Civil\09081.dwg\BRIDGE\09081_SPLICE