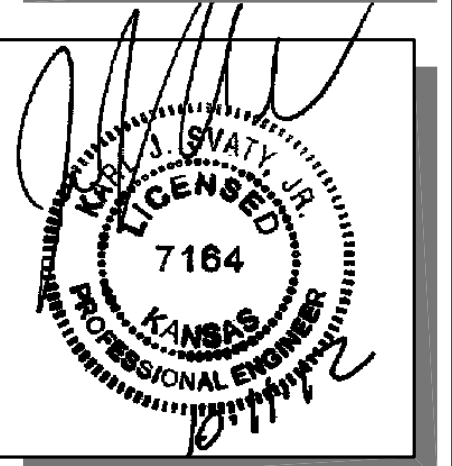


STATE	PROJECT NO.	YEAR	SHEET NO.	TOTAL SHEETS
KANSAS	87 N-0519-01	2012	93	212

MKEC
ENGINEERING
CONSULTANTS, INC.
411 N. WEBB ROAD
WICHITA, KS. 67206
316-684-9600



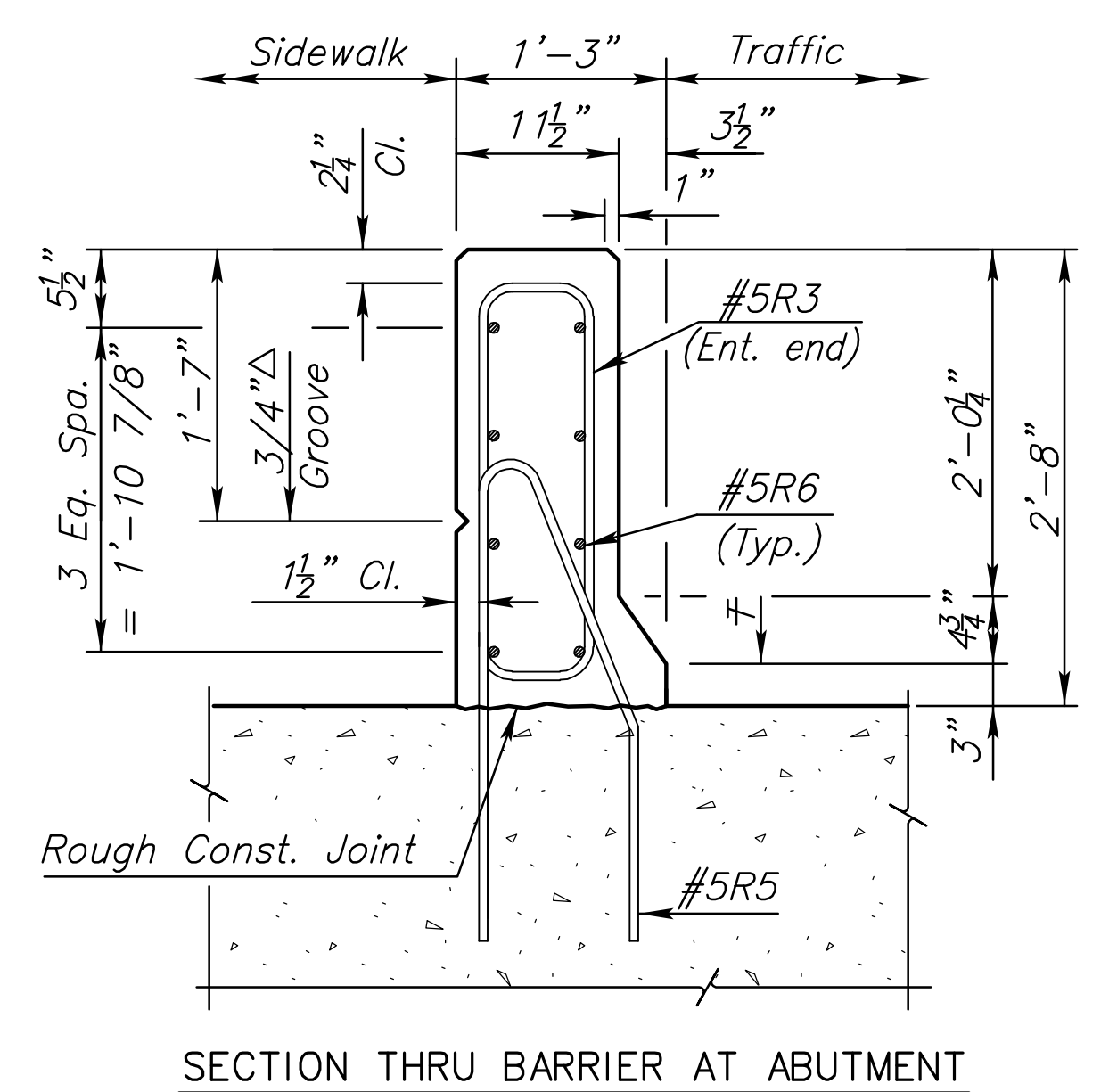
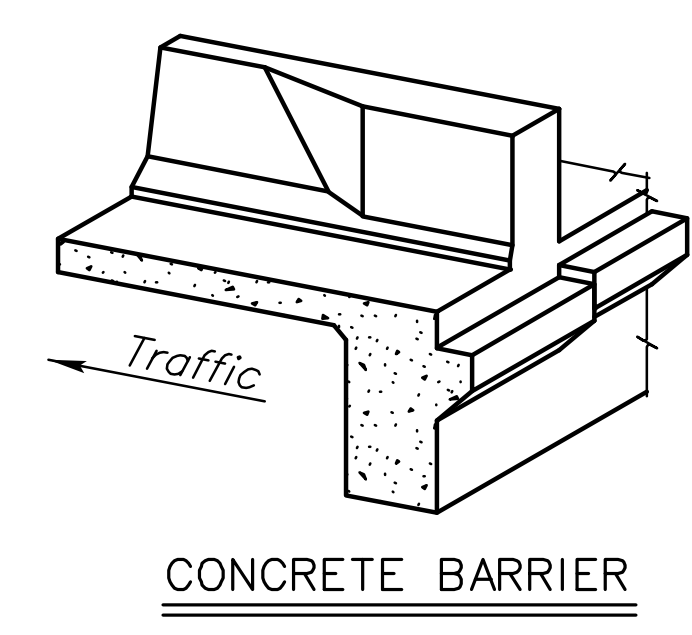
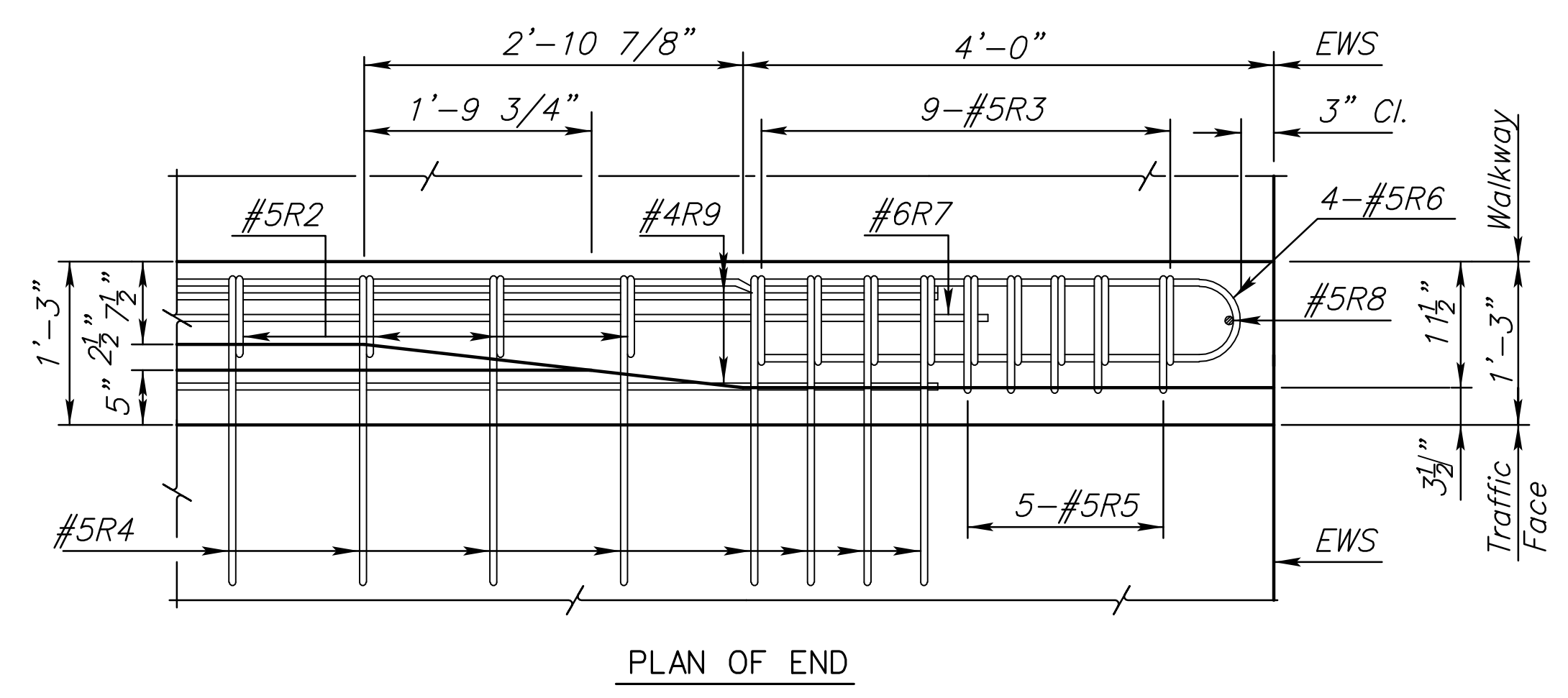
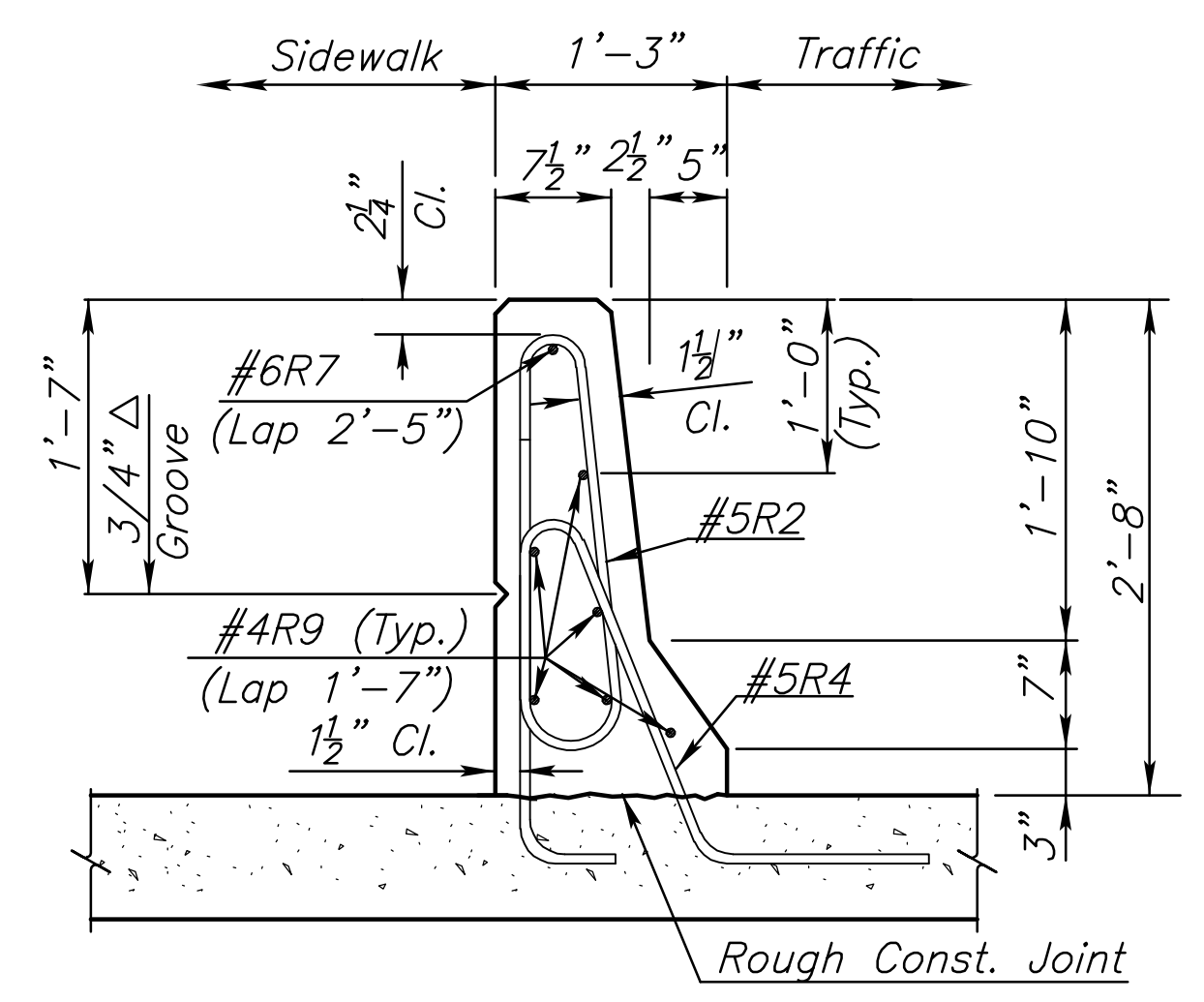
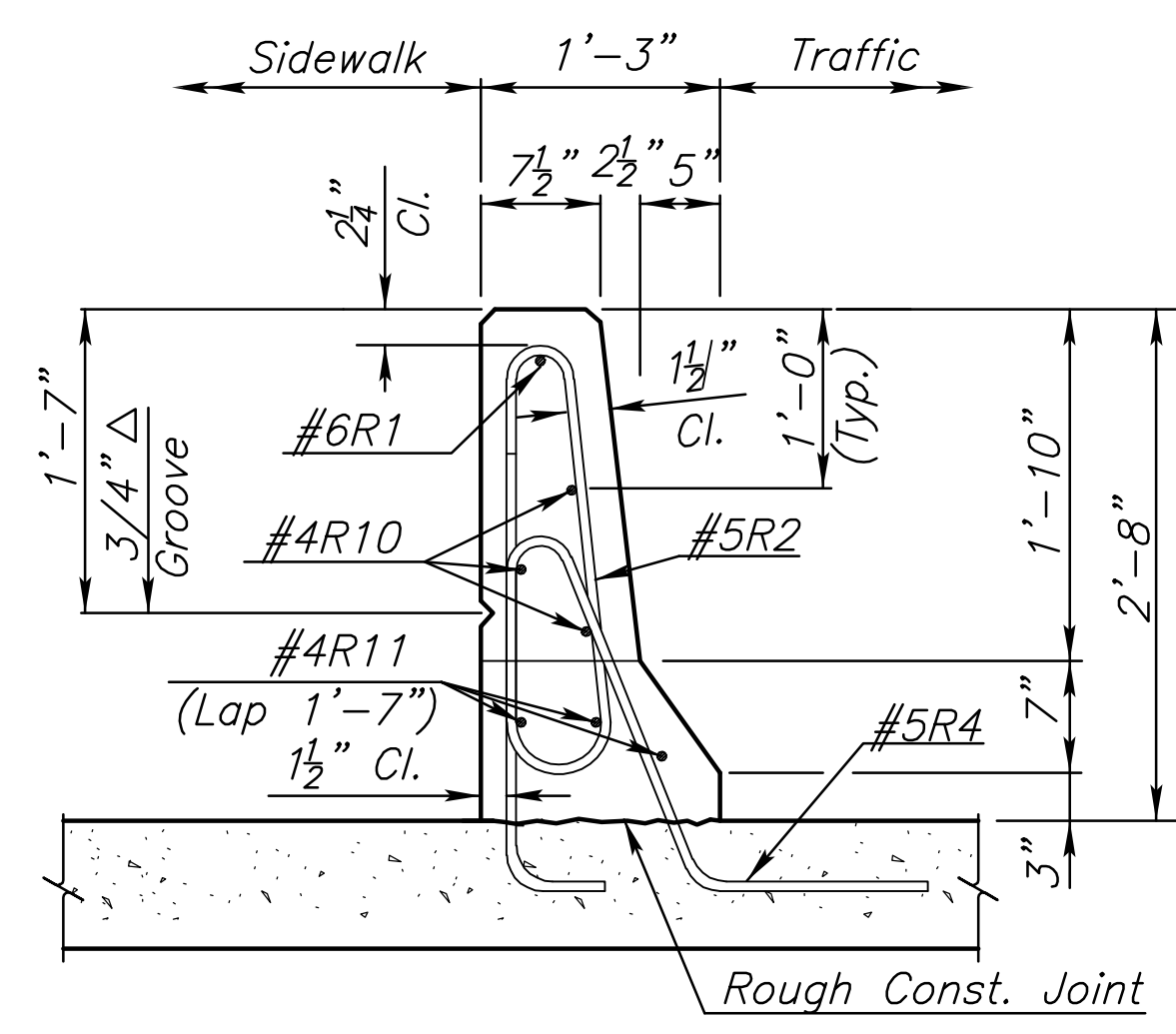
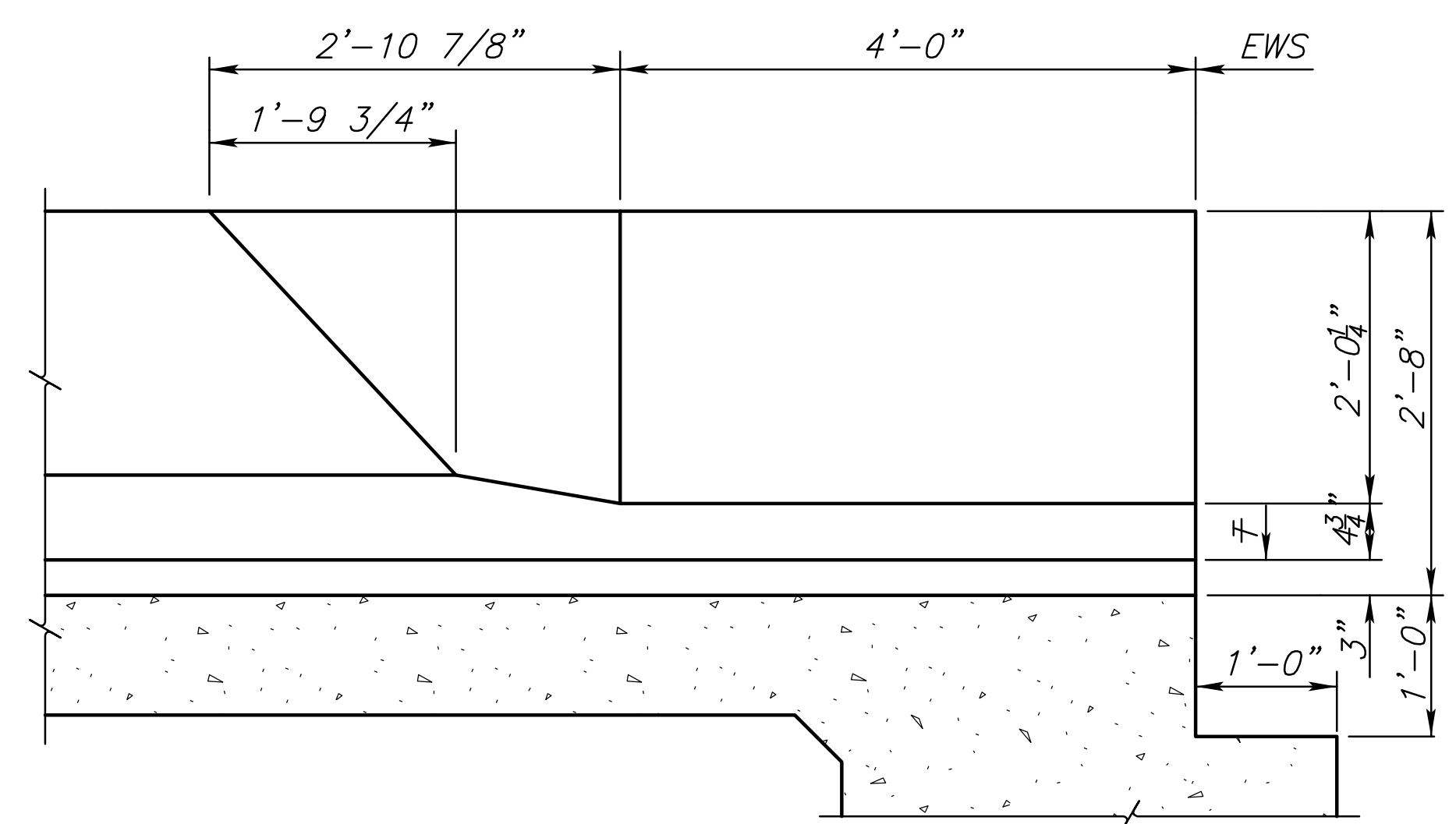
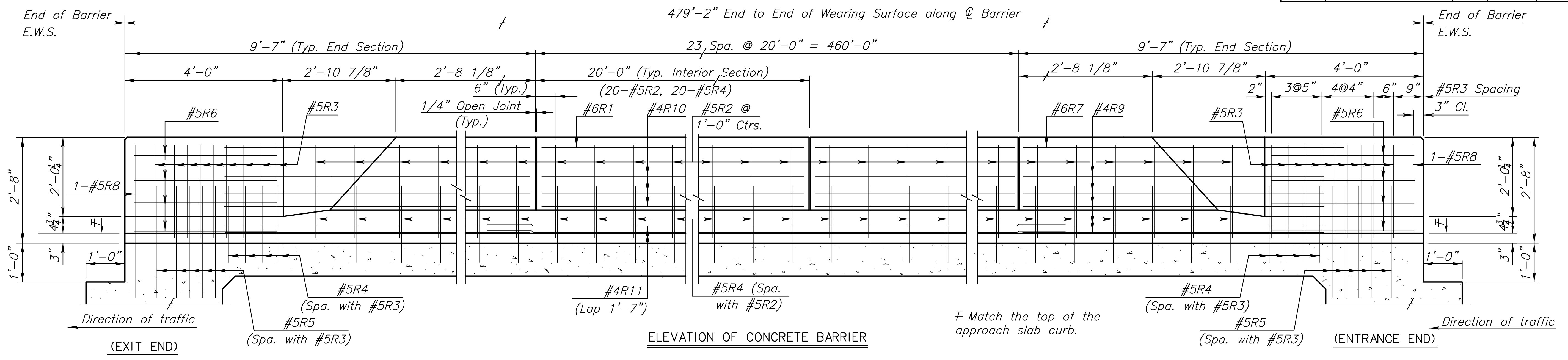
BROADWAY BRIDGE AT 34TH STREET SOUTH

**F4
BARRIER
(BRIDGE)**
SHEET TITLE
472-84830
PROJECT NUMBER

DESIGN BY: **KJS**
DRAWN BY: **DPG**
CHECKED BY: **JAG**

ISSUED
October 9, 2012
REVISED

SHEET NO.
93 of 212



PLOTTED: Thursday, October 11, 2012 @ 10:49AM

J:\Civil\09081.dwg\BRIDGE\09081_F4Barrier