

STATE	PROJECT NO.	YEAR	SHEET NO.	TOTAL SHEETS
KANSAS	87 N-0519-01	2012	117	212

MKEC
ENGINEERING
CONSULTANTS, INC.
411 N. WEBB ROAD
WICHITA, K.S. 67206
316-684-9600



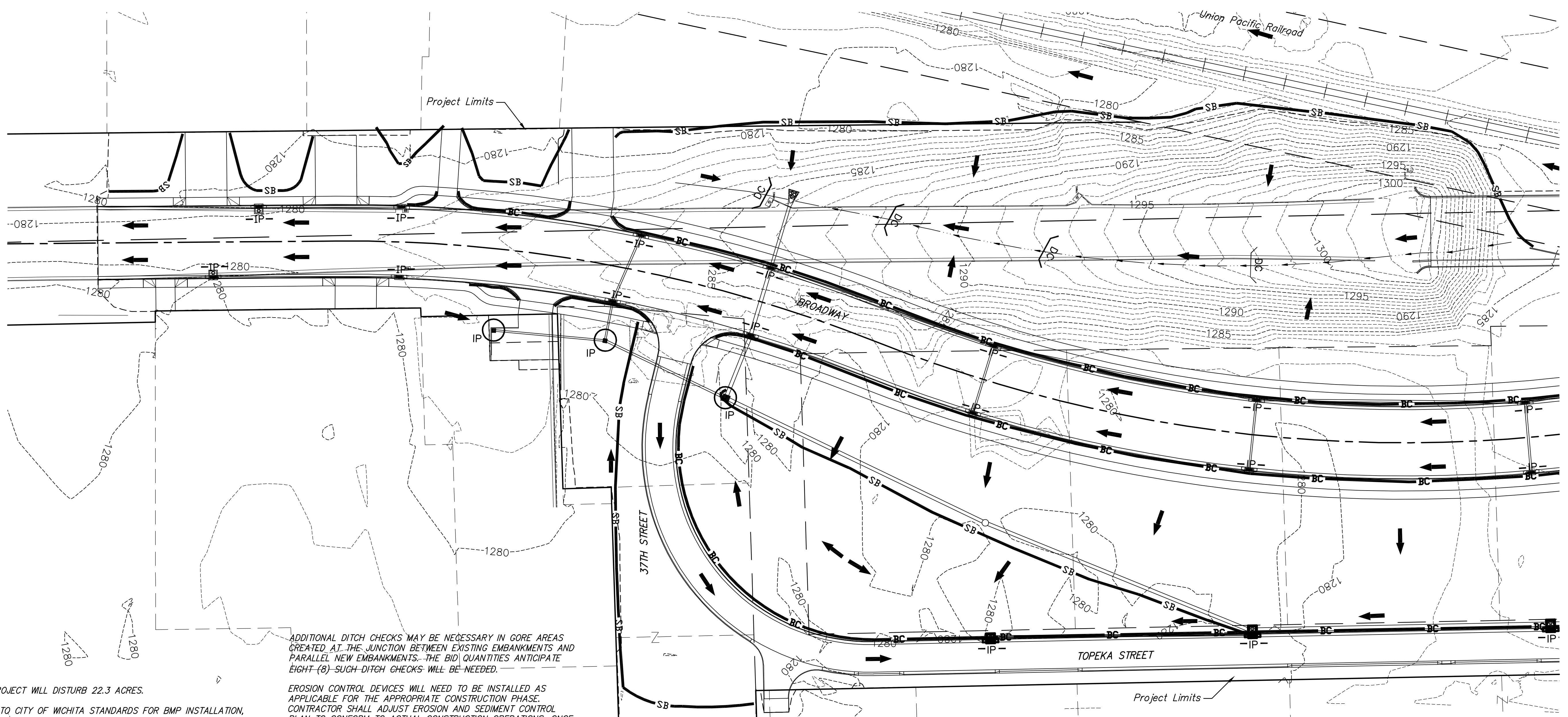
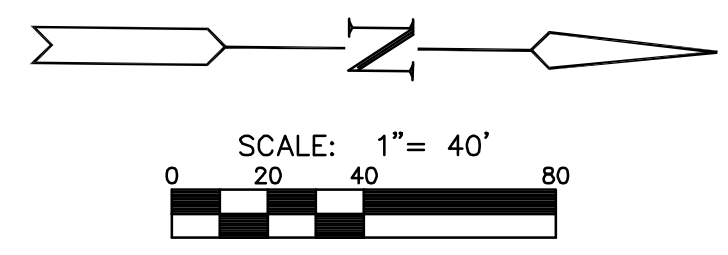
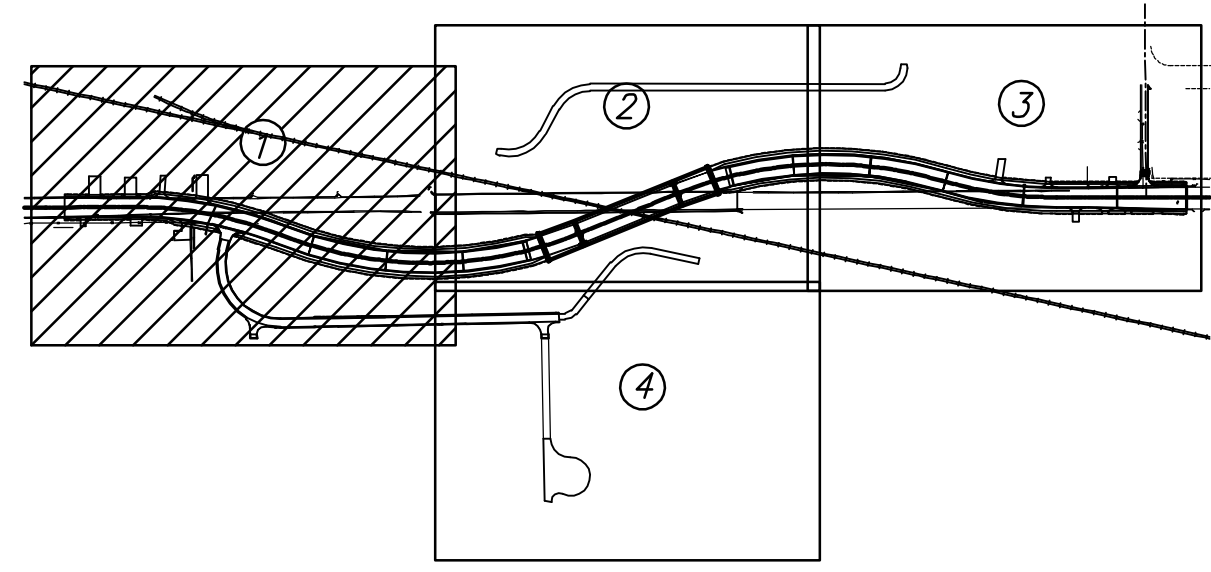
BROADWAY BRIDGE AT 34TH STREET SOUTH

EROSION CONTROL PLAN
SHEET TITLE
472-84830
PROJECT NUMBER

DESIGN BY: **KJS**
DRAWN BY: **JSB**
CHECKED BY: **JAG**

ISSUED: **October 9, 2012**
REVISED:

SHEET NO.
117 of 212



NOTES:
THIS PROJECT WILL DISTURB 22.3 ACRES.

REFER TO CITY OF WICHITA STANDARDS FOR BMP INSTALLATION, INSPECTION AND MAINTENANCE DETAILS AND SPECIFICATIONS.

COST FOR EACH EROSION AND SEDIMENT CONTROL ITEM SHALL INCLUDE MAINTENANCE, INSPECTION AND EVENTUAL REMOVAL. BESIDES KEEPING EACH DEVICE IN WORKING ORDER, MAINTENANCE SHALL INCLUDE, AT A MINIMUM, SEDIMENT REMOVAL BEFORE 50% OF THE DEVICE'S CAPACITY IS REACHED.

CONTRACTOR SHALL ADJUST EROSION AND SEDIMENT CONTROL PLANS TO CONFORM TO ACTUAL CONSTRUCTION OPERATIONS. ALL CHANGES TO PLAN SHALL BE APPROVED BY THE CITY.

STABILIZED ENTRANCES SHALL BE PROVIDED AS DIRECTED BY THE CITY. EIGHT ENTRANCES ARE ANTICIPATED.

STOCKPILING OF EXCAVATED MATERIAL ON THE PROJECT SITE IS GENERALLY PROHIBITED. SMALL AND INTERIM STOCK PILES NOT IMMEDIATELY HAULED OFF-SITE SHOULD BE ENCLOSED AND PROTECTED WITH SILT BARRIER AROUND THE ENTIRE CIRCUMFERENCE OF THE STOCK PILE. INSTALLING AND MAINTAINING THIS FENCE SHALL BE CONSIDERED SUBSIDIARY TO THE BID ITEM "EROSION CONTROL BMP (SILT BARRIER)".

ADDITIONAL DITCH CHECKS MAY BE NECESSARY IN GORE AREAS CREATED AT THE JUNCTION BETWEEN EXISTING EMBANKMENTS AND PARALLEL NEW EMBANKMENTS. THE BID QUANTITIES ANTICIPATE EIGHT (8) SUCH DITCH CHECKS WILL BE NEEDED.

EROSION CONTROL DEVICES WILL NEED TO BE INSTALLED AS APPLICABLE FOR THE APPROPRIATE CONSTRUCTION PHASE. CONTRACTOR SHALL ADJUST EROSION AND SEDIMENT CONTROL PLAN TO CONFORM TO ACTUAL CONSTRUCTION OPERATIONS. ONCE INSTALLED, THE DEVICES SHALL REMAIN IN-PLACE AND CONTINUE TO BE MAINTAINED UNTIL NO LONGER NECESSARY AS DETERMINED BY THE CITY.

ALL 4:1 SLOPES AND STEEPER WILL REQUIRE EROSION CONTROL MAT OR SOD. REFER TO ROADSIDE IMPROVEMENT PLANS.

ALL AREAS DISTURBED BY CONSTRUCTION THAT ARE ADJACENT TO DEVELOPED PROPERTIES SHALL BE RESTORED WITH SOD TO MATCH EXISTING TURF TYPE. RESTORATION OF DISTURBED AREAS SHALL INCLUDE BUT NOT BE LIMITED TO, TOP SOIL PREPARATION AND SODDING. ALL SODDING WORK SHALL BE IN ACCORDANCE WITH CITY STANDARD SPECIFICATIONS AND THE CITY ADMINISTRATIVE REGULATION NO. AR6.5, WHICH GOVERNS CLEANUP AND RESTORATION OR REPLACEMENT FOLLOWING CONSTRUCTION. THE "RECAPITULATION OF QUANTITIES" SHOWS THE ESTIMATED SQUARE YARDS OF SODDING, WITH A BID ITEM FOR THE SAME. WHEN THE WEATHER/SEASON PREVENTS THE INSTALLATION OF SOD, THE CONTRACTOR SHALL BE RESPONSIBLE FOR INSTALLING EROSION CONTROL BLANKET (CURLX I, OR APPROVED EQUAL) AT THE BACK OF CURB (8" WIDE MINIMUM). ALL COST FOR EROSION MAT INSTALLATION SHALL BE SUBSIDIARY TO "SITE RESTORATION".

THE CONTRACTOR SHALL RESEED ALL UNDEVELOPED AREAS DISTURBED BY CONSTRUCTION WITH A MIXTURE OF RYEGRASS (APPLIED AT A RATE OF 200 LBS. PER ACRE) AND BUFFALO GRASS, DEPENDING ON THE SOIL CONDITIONS (APPLIED AT A RATE OF 200 LBS. PER ACRE) AND BUFFALO GRASS, DEPENDING ON THE SOIL CONDITIONS (APPLIED PER STANDARD SPECIFICATIONS). PURE NITROGEN FERTILIZER SHALL ALSO BE APPLIED AT A RATE OF 1.5 LBS. PER THOUSAND SQUARE FEET. THE SEED SHALL BE WATERED WITH A DEEP SOAKING EVERY TWO (2) WEEKS DURING DRY PERIODS UNTIL A MATURE STAND OF GRASS IS OBTAINED. THE "RECAPITULATION OF QUANTITIES" SHOWS THE ESTIMATED SQUARE YARDS OF DISTURBED AREA TO BE SEED, WITH A BID ITEM FOR THE SAME. THE PERMANENT SEEDING MAY BE OMITTED ONLY IF SODDING IS REQUIRED. THE CONTRACTOR SHALL BE RESPONSIBLE FOR INSTALLING EROSION CONTROL BLANKET (CURLX I, OR APPROVED EQUAL) AT THE BACK OF CURB, TO AND INCLUDING THE LIMITS OF ALL SEEDED AREAS. ALL COSTS FOR THIS WORK SHALL BE SUBSIDIARY TO THE SEEDING BID ITEMS.

LEGEND

	SILT BARRIER
	BACK OF CURB PROTECTION
	DITCH CHECK PROTECTION
	CURB INLET PROTECTION
	AREA INLET PROTECTION
	DRAINAGE FLOW DIRECTION

PLOTED: Thursday, October 11, 2012 @ 11:01AM

J:\Civil\09081.dwg \Erosion\09081-EROS-1