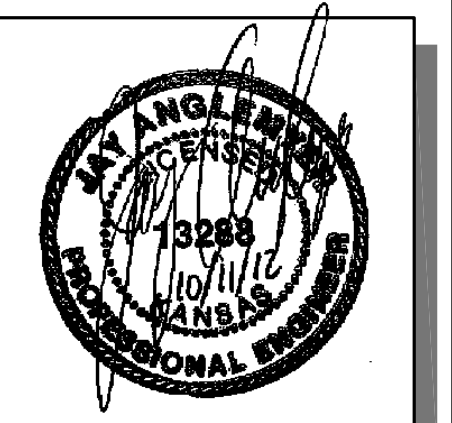


STATE	PROJECT NO.	YEAR	SHEET NO.	TOTAL SHEETS
KANSAS	87 N-0519-01	2012	136	212

MKEC
ENGINEERING
CONSULTANTS, INC.
411 N. WEBB ROAD
WICHITA, K.S. 67206
316-684-9600



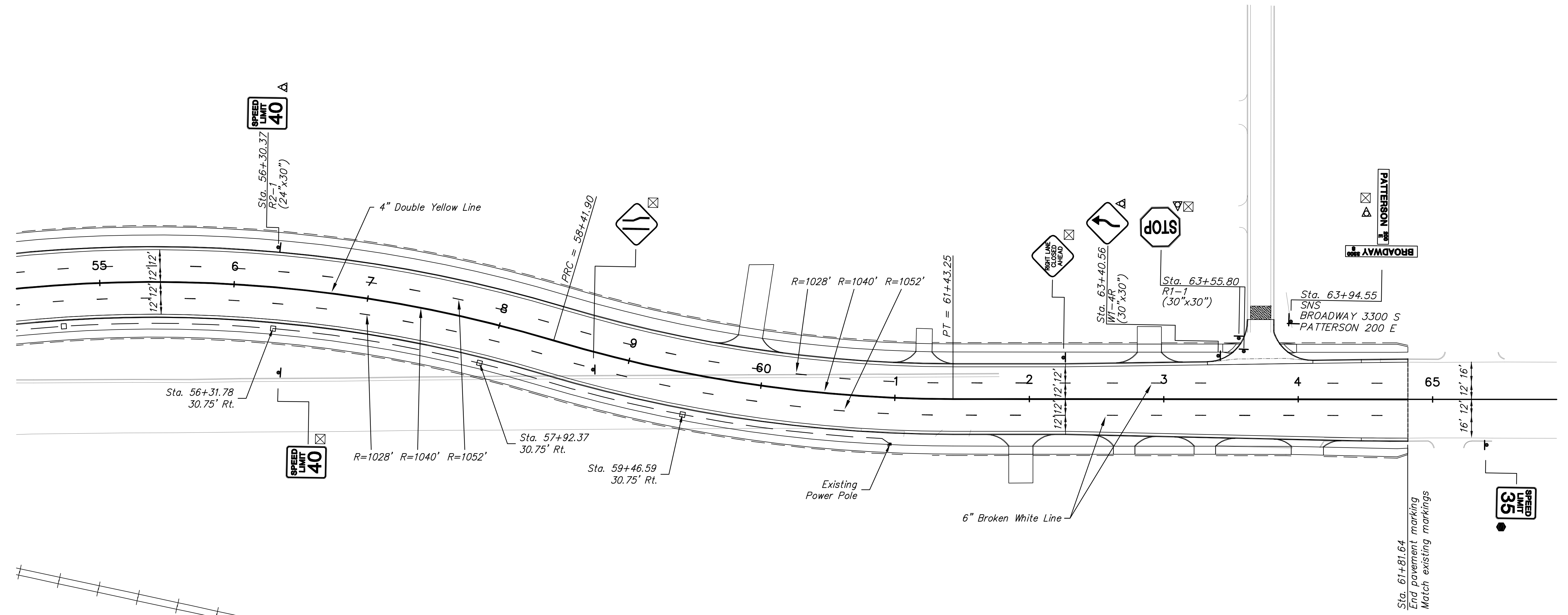
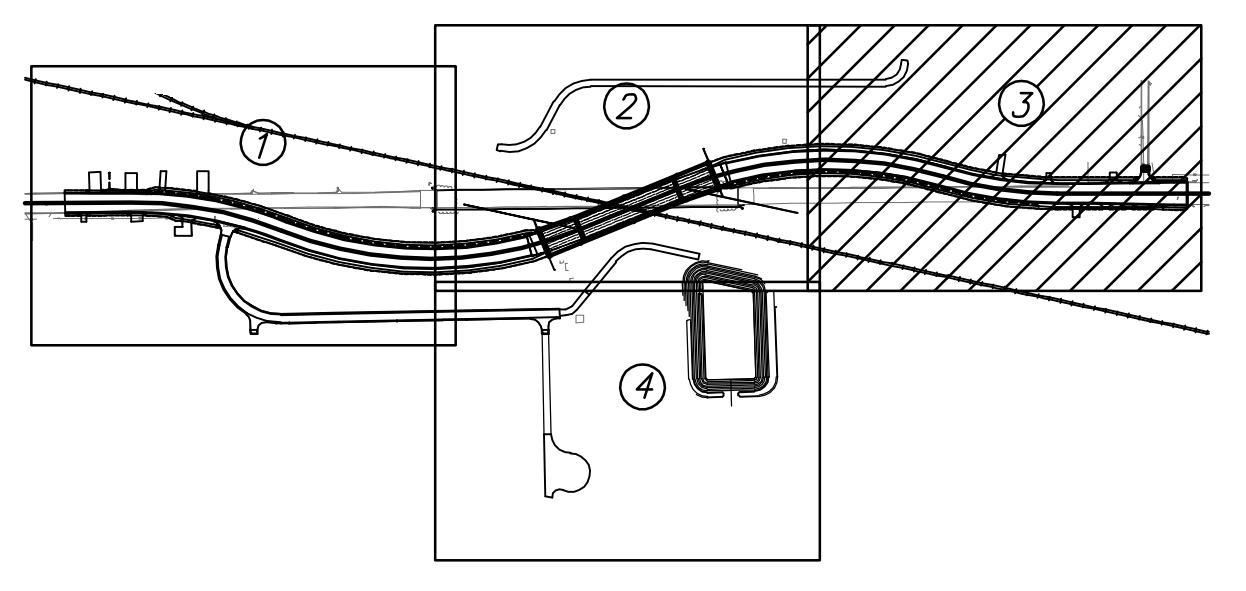
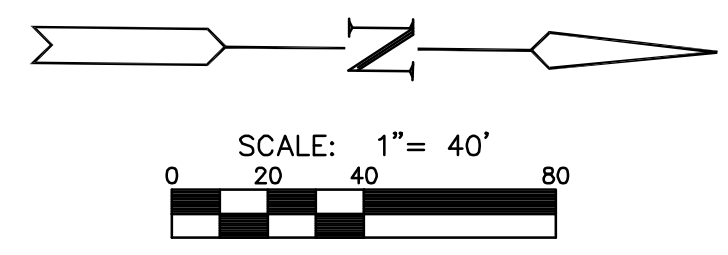
BROADWAY BRIDGE AT 34TH STREET SOUTH

PAVEMENT MARKING & SIGNING PLAN
SHEET TITLE
472-84830
PROJECT NUMBER

DESIGN BY: JRA
DRAWN BY: TBK
CHECKED BY: JRA

ISSUED: October 9, 2012
REVISED:

SHEET NO.
136 of 212



SIGNING LEGEND

- Sign not part of project
- New sign and post
- Remove existing sign and post and return to sign owner
- Street Sign
- Traffic Sign
- 2" SCH 40 PVC Conduit w/ Pull Wire
- Auger Foundation w/ Breakaway Base

PLOTTED: Thursday, October 11, 2012 @ 11:15AM

J:\Civil\09081\dwg\MARKING\09081-MRK-3