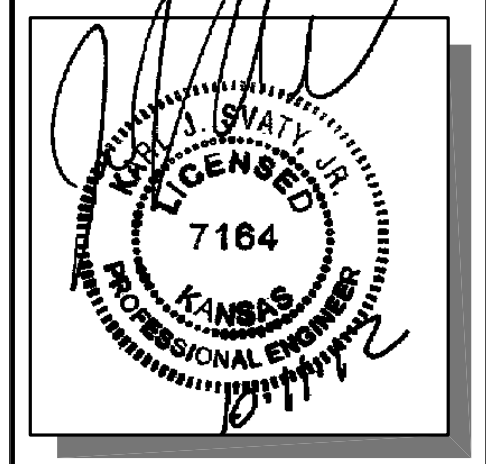


STATE	PROJECT NO.	YEAR	SHEET NO.	TOTAL SHEETS
KANSAS	87 N-0519-01	2012	144	212

**MKEC**  
ENGINEERING  
CONSULTANTS, INC.  
411 N. WEBB ROAD  
WICHITA, KS. 67206  
316-684-9600



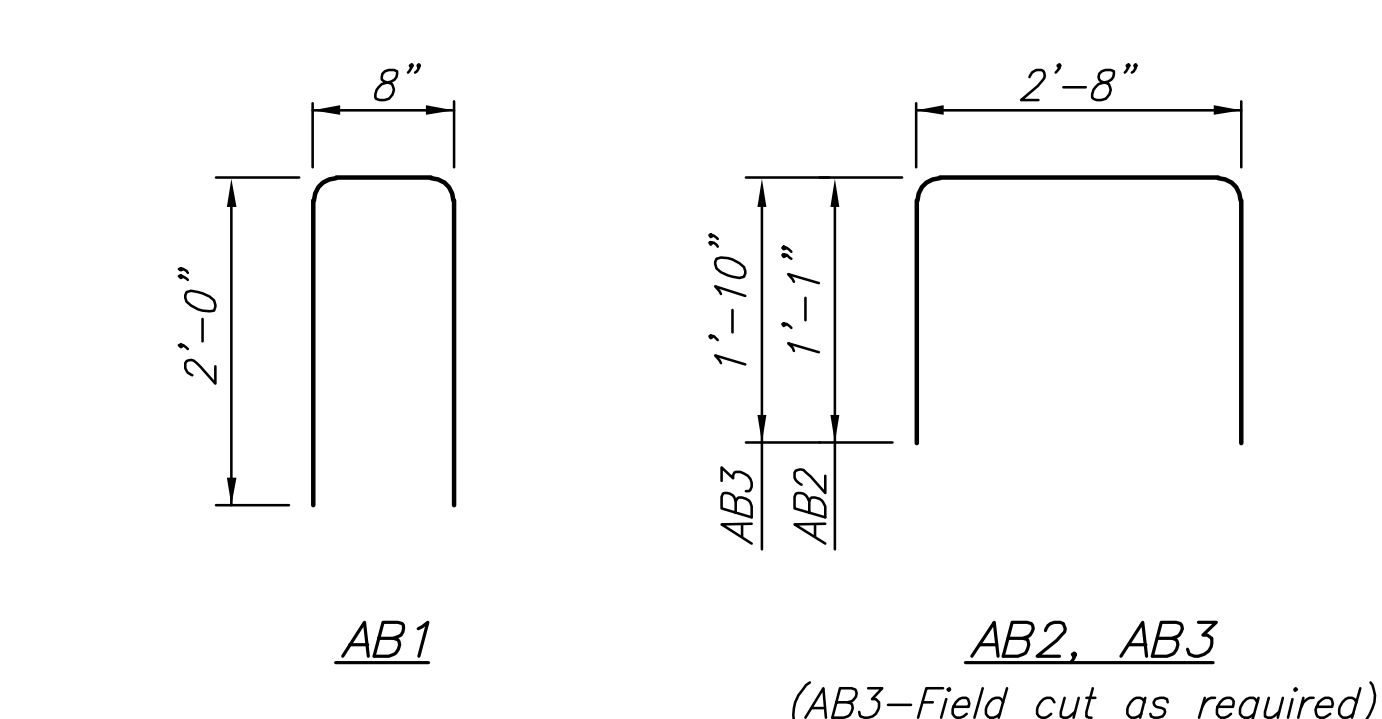
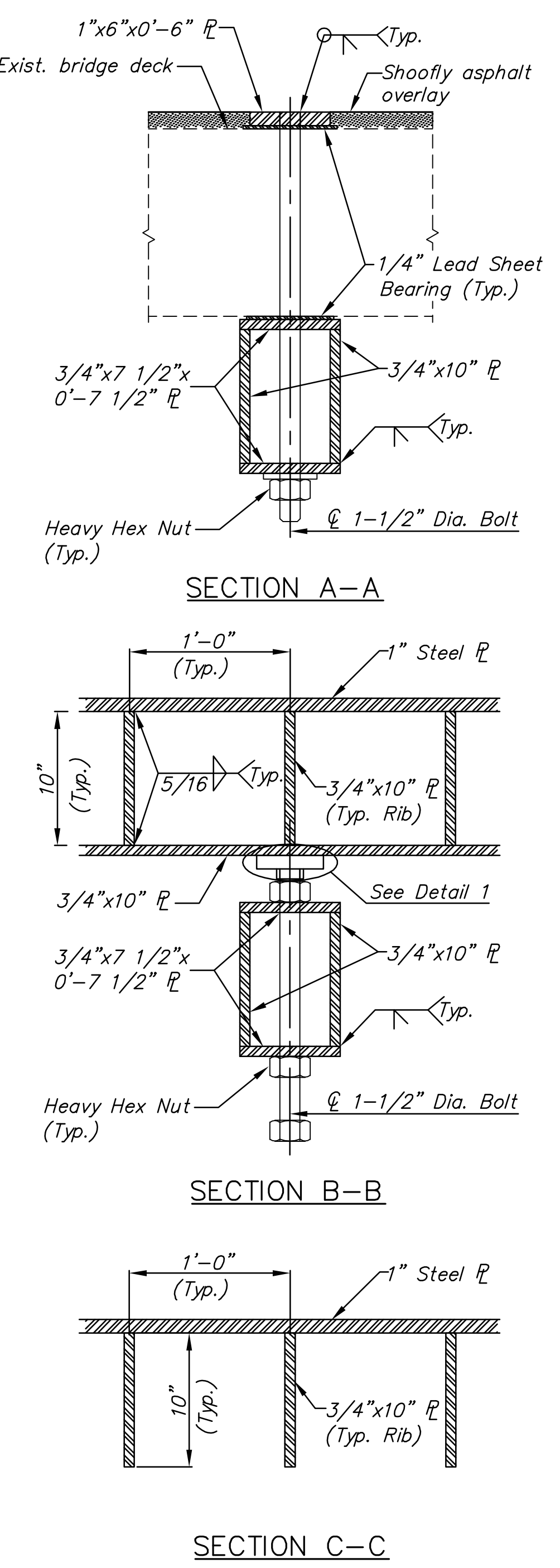
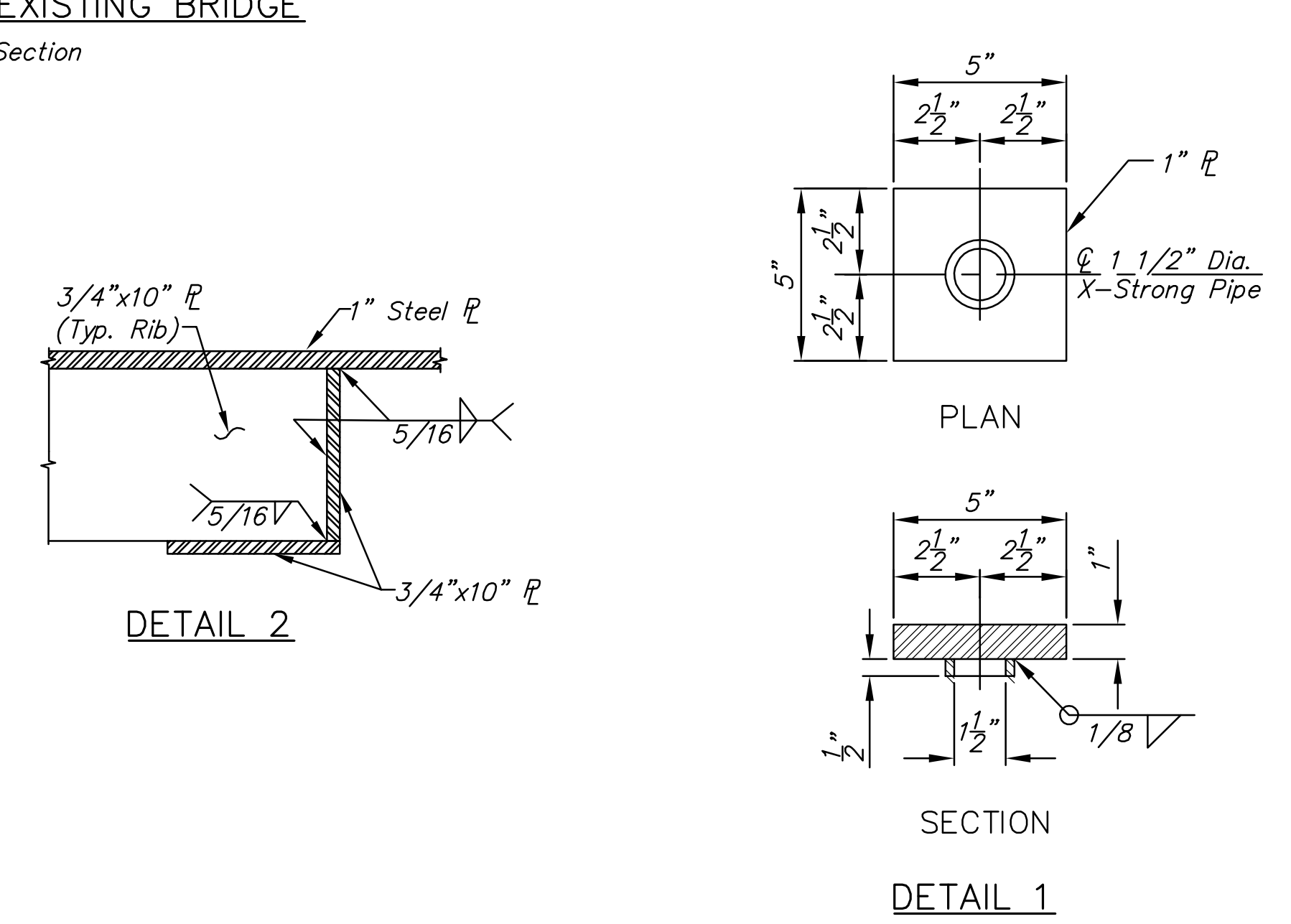
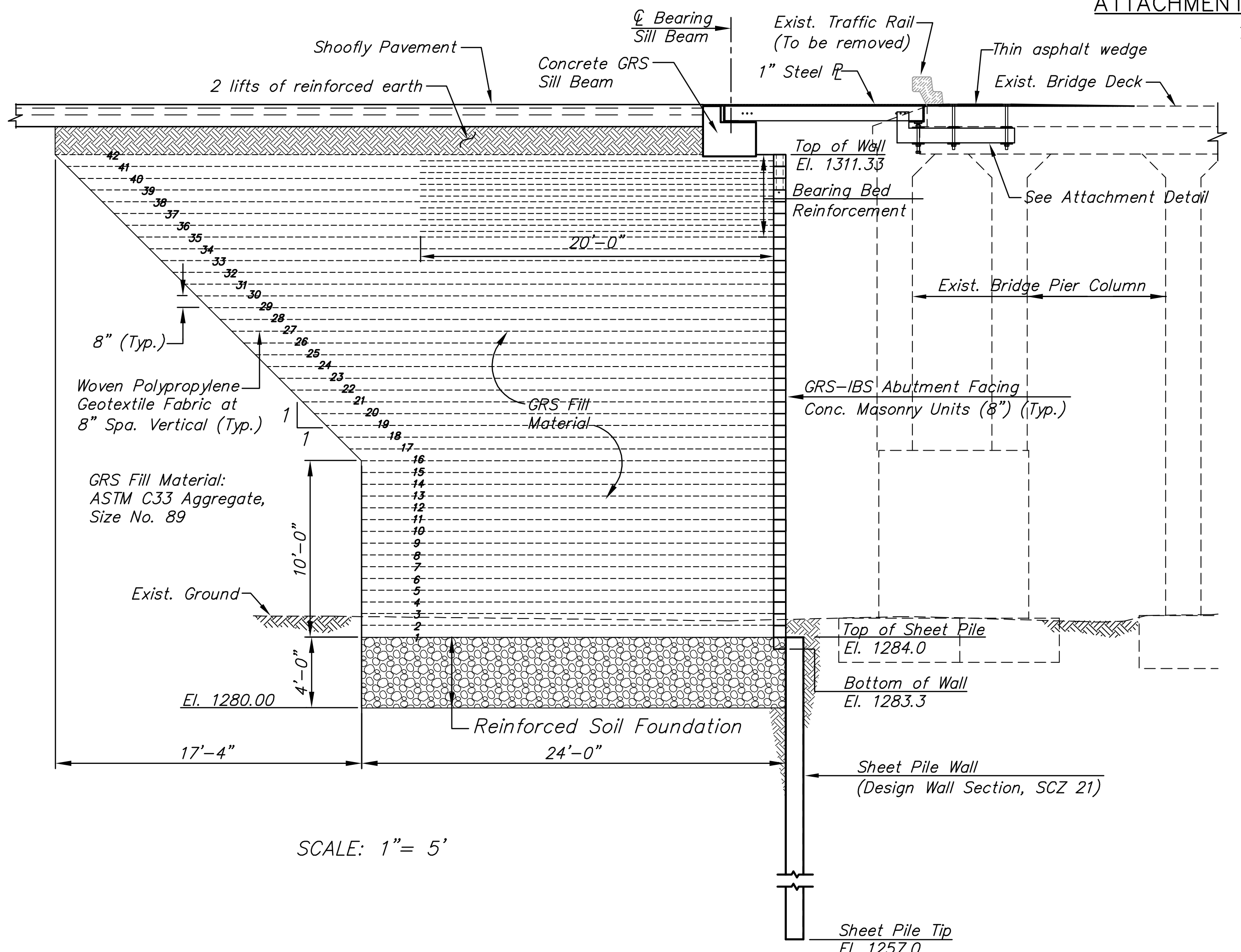
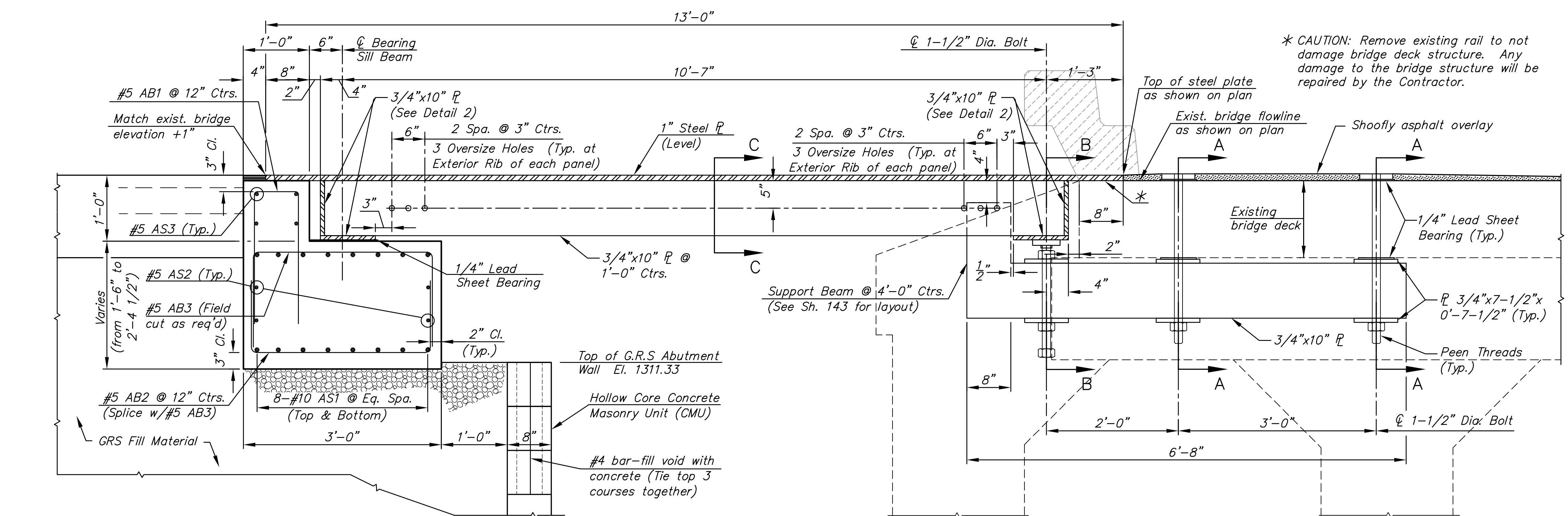
# BROADWAY BRIDGE AT 34TH STREET SOUTH

**SHOOFLY  
GRS ABUTMENT  
DETAILS**  
SHEET TITLE  
472-84830  
PROJECT NUMBER

DESIGN BY: **KJS**  
DRAWN BY: **DMU**  
CHECKED BY: **KJS**

ISSUED: **October 9, 2012**  
REVISED:

SHEET NO.  
**144 of 212**



**BILL OF REINFORCING STEEL**  
Epoxy Coated, Grade 60

Straight Bars				* Bent Bars			
Mark	Size	Number	Length	Mark	Size	Number	Length
AS1	#10	16	131'-8"	AB1	#5	132	4'-8"
AS2	#5	4	131'-8"	AB2	#5	132	6'-4"
AS3	#5	4	122'-6"	AB3	#5	132	4'-10"

\* See Bending Diagram

**Minimum Splice Lengths**

#10	3'-5"
#5	1'-8"

PLOTED: Thursday, October 11, 2012 @ 11:17AM

J:\Civil\09081.dwg\pav\09081-GRS Sec