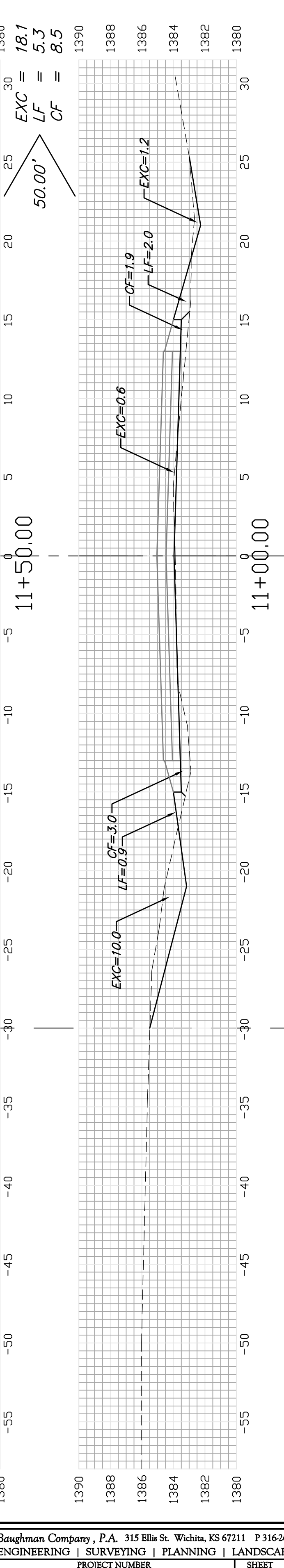
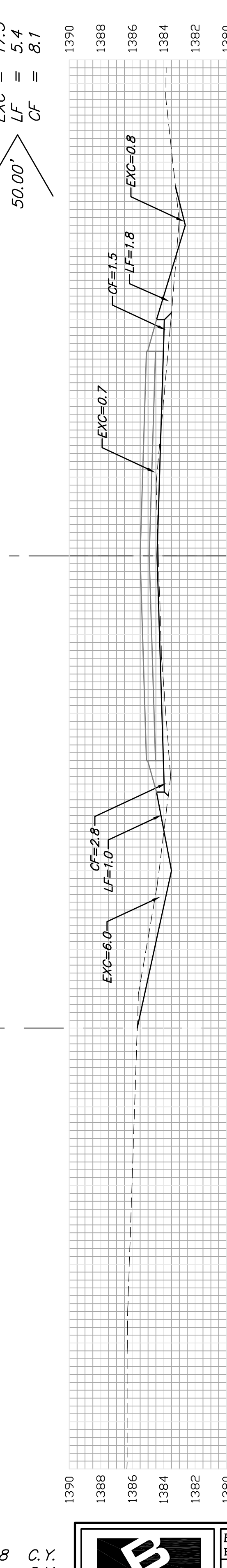
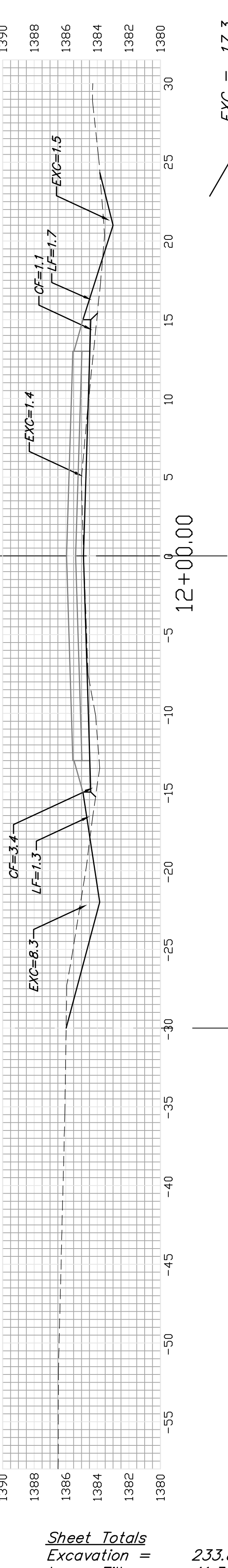
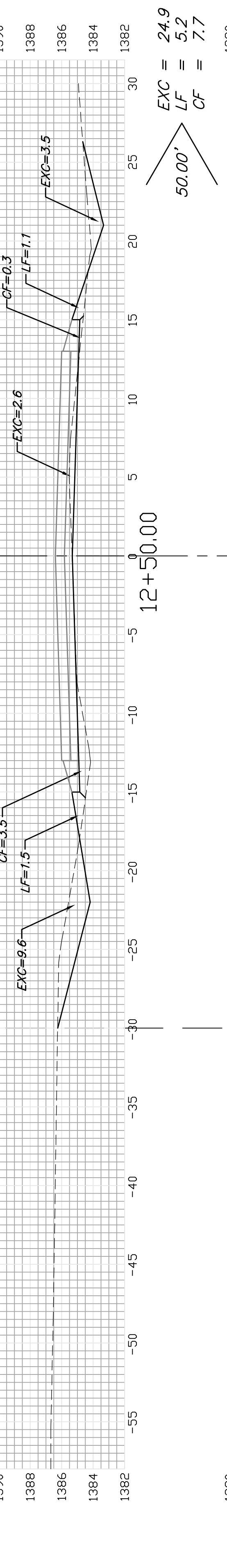
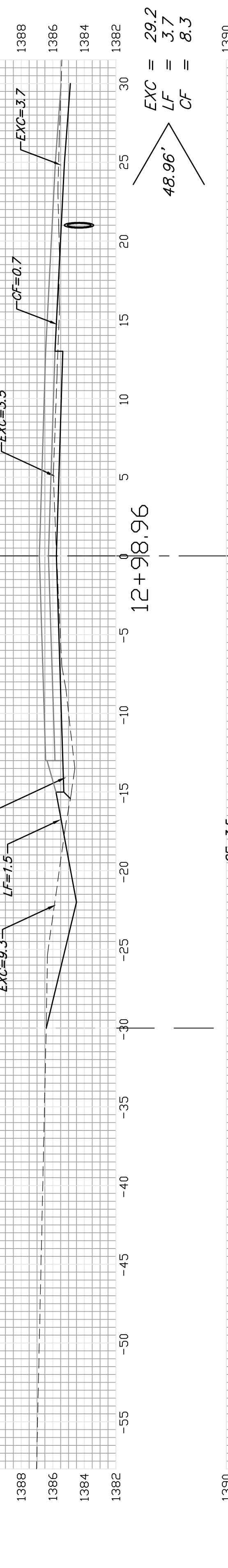
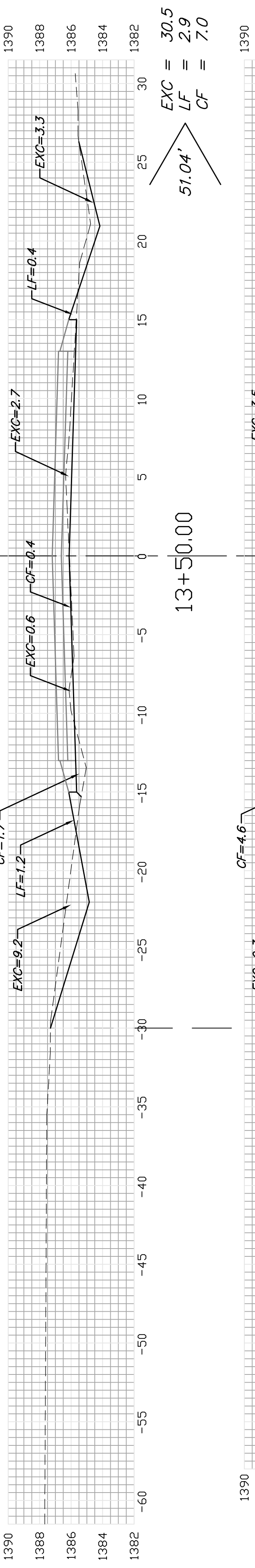
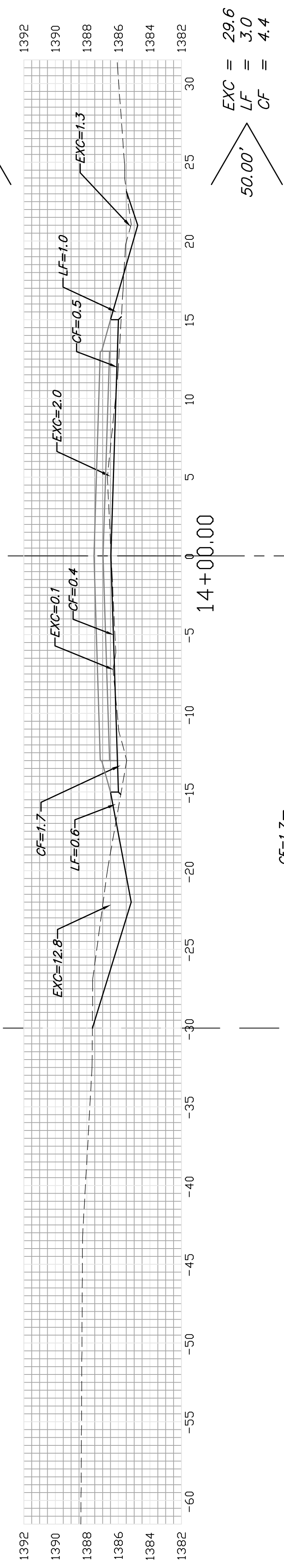
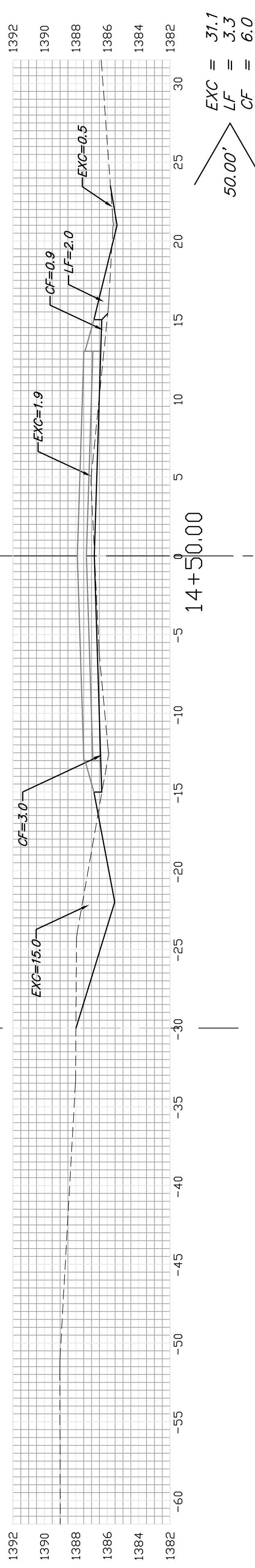
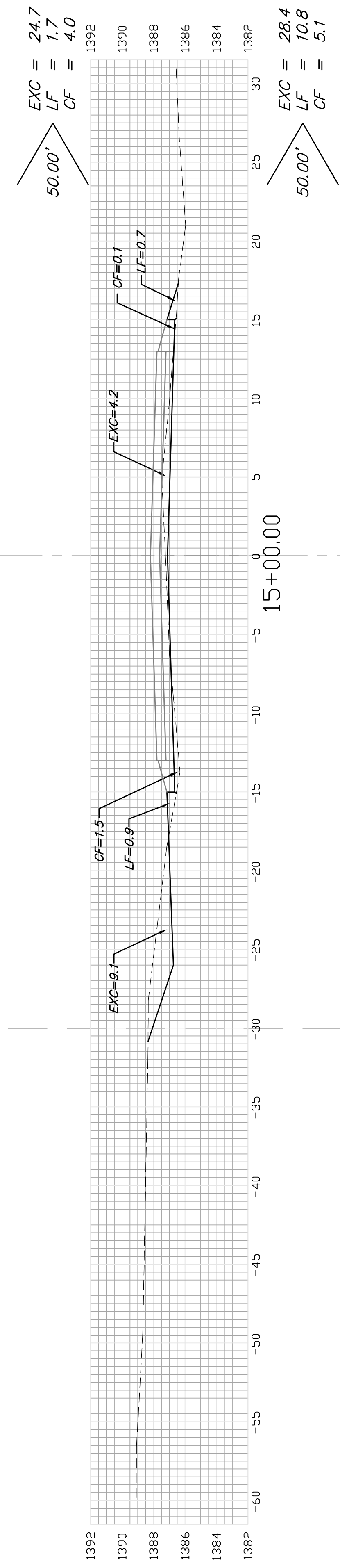


50' Conoco Pipeline Co. Easement (No Grading)



127TH ST. E.

Sheet Totals
Excavation = 233.8 C.Y.
Loose Fill = 41.3 C.Y.
Compacted Fill = 59.1 C.Y.

